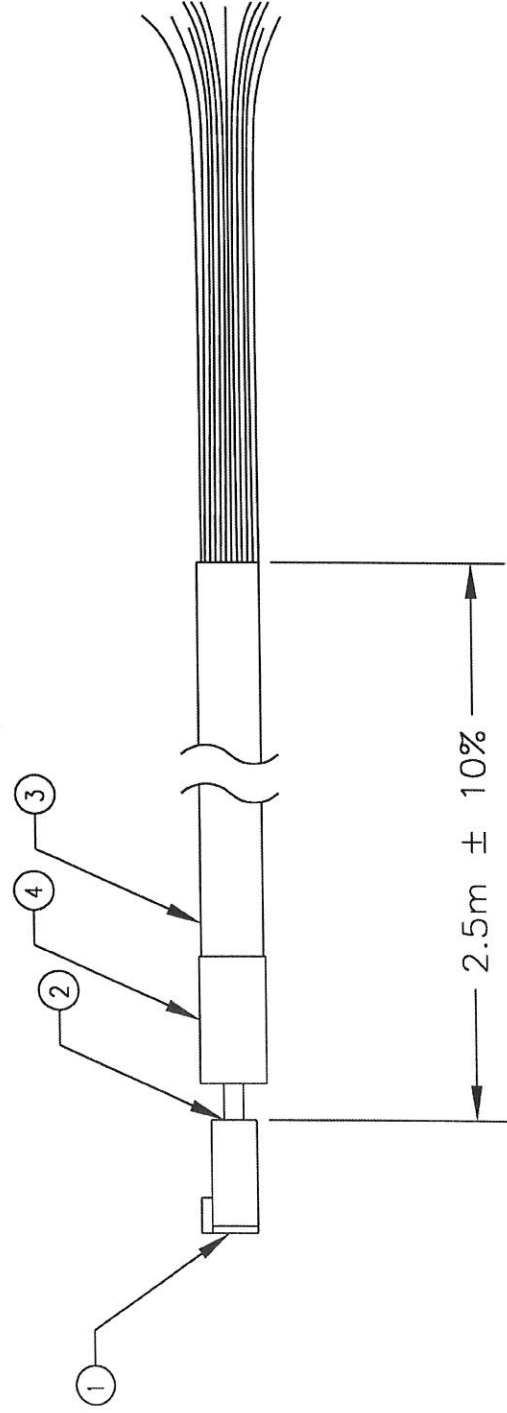


REVISIONS

REV.	DESCRIPTION	DATE	CMPLT. BY	APPRV.
A	CHANGED CABLE TO ALL 22AWG	1/30/97	SB	<i>ML</i>



- NOTES:
1. FLYING LEADS TO BE 100mm LONG
  2. DO NOT STRIP FLYING ENDS
  3. INFORMATIONAL PACKET WILL BE PROVIDED BY WEIDMULLER. PACK WITH UNIT AFTER ASSEMBLY.

PARTS LIST

BUB. #	DESCRIPTION	QTY.
1	CONNECTOR 20-PIN FEMALE	1
2	CRIMP AND POKE TERMINAL	20
3	CABLE 20-COND 22AWG	A/R
4	SHRINK TUBING 3/4" DIA	50mm
5	INFORMATIONAL PACKET	1

<b>Weidmüller</b> WEIDMULLER INC. 821 SOUTHLAKE BLVD. RICHMOND, VIRGINIA 23236	CAT. NO. 996606 DRWN BY SB APPROVED KMR	TITLE PLC CABLE W/O SWINGARM 2.5M	TOLERANCE ON : .x = +/- 0.508 mm .xx = +/- 0.254 mm .xxx = +/- 0.127 mm .x = +/- .00	PROPRIETARY RIGHTS : THIS DOCUMENT INCLUDES DESIGN AND INVENTION RIGHTS WHICH MAY BE PROPRIETARY AND CONFIDENTIAL INFORMATION OF WEIDMULLER INC. AND THIS DOCUMENT OR ITS CONTENTS MAY NOT BE DISCLOSED TO OTHERS, REPRODUCED, COPIED, OR USED WITHOUT WRITTEN AUTHORITY FROM WEIDMULLER INC. IN RICHMOND, VIRGINIA.
	REL. DATE 8/2/96 <input checked="" type="checkbox"/> P/N <input checked="" type="checkbox"/> DWG. <input type="checkbox"/> PROD. <input checked="" type="checkbox"/> INSP. <input type="checkbox"/> OTHER	SCALE: DO NOT SCALE	SHEET 1 OF 2	DRAWING NUMBER 1100187 REV. A
DISTRIBUTION:		PRODUCTION RELEASE PAGE 1	SIZE: A	REV. A