

RECOMENDED P.C.B. PATTERN LAYOUT (REF.)  
THICKNESS OF METAL MASK : 0.12mm

NOTES:

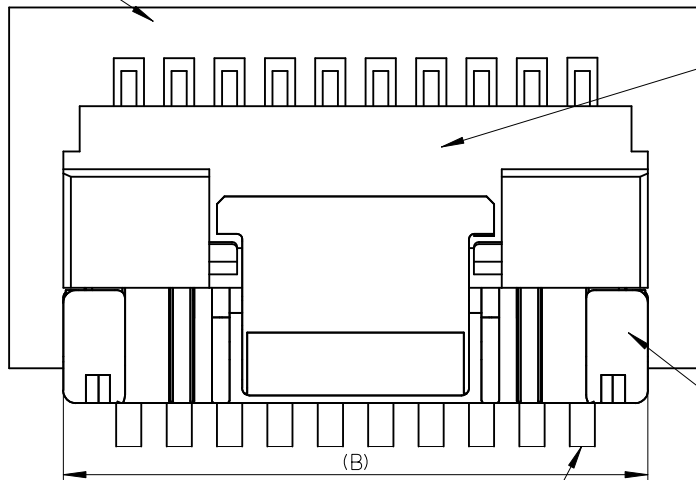
1. 嵌合相手: 504054-2000  
MATE WITH : 504054-2000
2. 端子テール部の平坦度: 0.1MAX.  
TAIL COPLANARITY TO BE 0.1 MAX.
3. 端子テール部に錫めっきを使用しているため、外観に摺動痕が付く場合がございます。  
THE WOUND OF FRICTION MIGHT ADHERE TO EXTERNALS BECAUSE THE TIN PLATING IS USED FOR THE TAIL.
4. 本製品のプラスチック部に黒点等が確認される場合や色合いが異なる場合がありますが、製品機能に影響はありません。  
THERE IS NO INFLUENCE IN THE PRODUCT PERFORMANCE THOUGH THE BLACK SPOT ETC. MIGHT BE CONFIRMED TO THE PLASTICS PART OF THIS PRODUCT AND THE SHADE MIGHT BE DIFFERENT.
5. ELV AND RoHS COMPLIANT.

PARTS	MATERIAL
HOUSING	LCP , UL94V-0 , COLOR:NATURAL
TERMINAL	BRASS PLATING TIN:1.0 MICROMETER MINIMUM UNDER PLAITNG NICKEL:1.0 MICROMETER MINIMUM

<b>PROPOSED</b> EC NO: J2012-0149 DRWN:TKON 2011/07/12 CHKD:KASAKAWA 2011/07/12 APPR:NUKITA 2011/08/10 REV: O	GENERAL TOLERANCES (UNLESS SPECIFIED) 10 UNDER ±0.2 10 OVER 30 UNDER ±0.25 30 OVER ±0.3 ANGULAR ±3 ° DRAFT WHERE APPLICABLE MUST REMAIN WITHIN DIMENSIONS		DIMENSION STYLE <b>MM ONLY</b> DRAWN BY TKON DATE 2011/07/12 CHECKED BY KASAKAWA DATE 2011/07/12 APPROVED BY NUKITA DATE 2011/08/10 MATERIAL NO.		SCALE <b>5:1</b>	DESIGN UNITS <b>METRIC</b>	THIRD ANGLE PROJECTION	
	TITLE <b>2.0MM W/B CONN. DUAL SMT R/A PLUG ASS'Y</b>							
	MOLEX INCORPORATED SEE TABLE						DOCUMENT NO. <b>SD-504056-001</b>	SHEET NO. <b>1 OF 2</b>
	THIS DRAWING CONTAINS INFORMATION THAT IS PROPRIETARY TO MOLEX INCORPORATED AND SHOULD NOT BE USED WITHOUT WRITTEN PERMISSION							

21.9	18	23.2	504056-2070	20
C	B	A	EMBOSSED PACKAGE	CKT.
ORDER NO.				
CONNECTOR SERIES NO. 504056-**00				

P.C.BOARD



PLUG ASS'Y

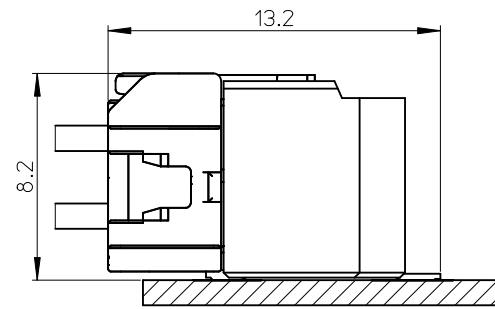
VIEW A

REC HOUSING

CABLE

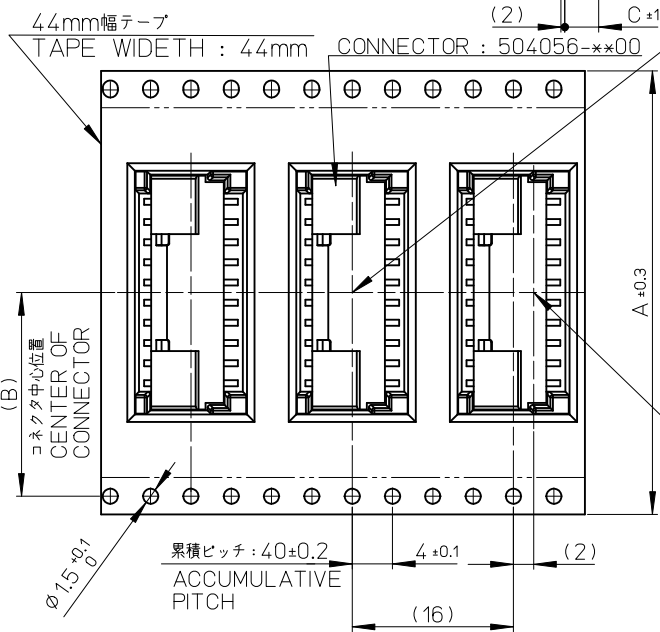
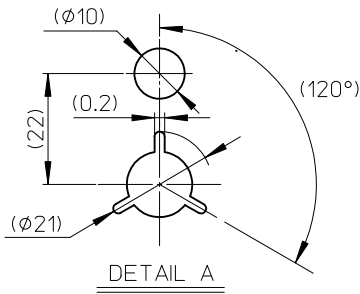
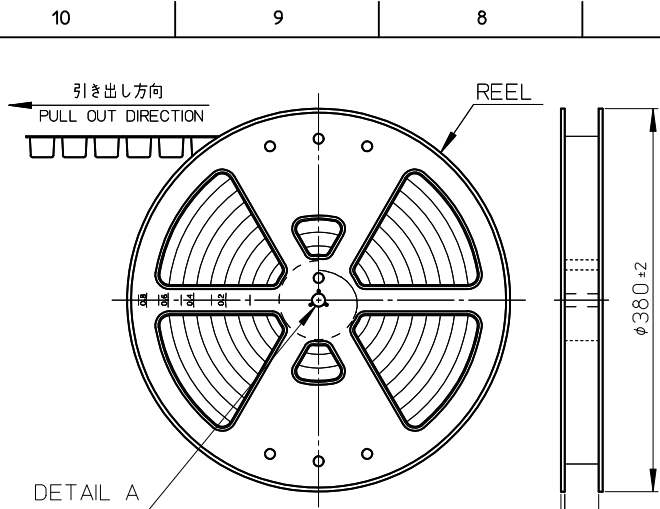
(B)

嵌合図  
MATED CONNECTOR



VIEW A

PROPOSED EC NO: J2012-0149 DRWN:TKON 2011/07/12 CHKD:KASAKAWA 2011/07/12 APPR:NUKITA 2011/08/10	GENERAL TOLERANCES (UNLESS SPECIFIED)		DIMENSION STYLE MM ONLY	SCALE 5:1	DESIGN UNITS METRIC	THIRD ANGLE PROJECTION
	10 UNDER	±0.2	DRAWN BY TKON	DATE 2011/07/12	TITLE 2.0MM W/B CONN. DUAL SMT R/A PLUG ASS'Y	
	10 OVER 30 UNDER	±0.25	CHECKED BY KASAKAWA	DATE 2011/07/12		
	30 OVER	±0.3	APPROVED BY NUKITA	DATE 2011/08/10	MOLEX INCORPORATED DOCUMENT NO. SD-504056-001 SHEET NO. 2 OF 2	
	ANGULAR ±3 °		MATERIAL NO. SEE SHEET1			
DRAFT WHERE APPLICABLE MUST REMAIN WITHIN DIMENSIONS		THIS DRAWING CONTAINS INFORMATION THAT IS PROPRIETARY TO MOLEX INCORPORATED AND SHOULD NOT BE USED WITHOUT WRITTEN PERMISSION				



NOTES

- 製品詳細寸法は製品単体図面を参照して下さい。  
FOR DETAIL OF CONNECTOR DIMENSIONS, PLEASE SEE THE DRAWING OF CONNECTOR ITSELF (NOT PACKAGED).
  - 梱包数量 : 600個  
NUMBER OF CONNECTORS : 600PCS
  - リードテープ長さ  
LEAD TAPE LENGTH
- 
- 空エンボス 20~25PIECES  
NUMBER OF EMPTY PART
- 引き出し方向  
PULL OUT DIRECTION
- 400MIN.
- 部品挿入部  
COMPONENT SUPPLIER
- 400MIN.
- 末端部 (空部)  
TAIL PART (EMPTY)
- 材料  
MATERIALS  
キャリアテープ : ポリスチレン  
CARRIER TAPE : POLYSTYRENE  
トップテープ : ポスエステル、ポリエチレン、ポリエチレンテレフタレート  
TOP TAPE : POLYESTER, POLYETHYLENE, POLYETHYLENE TEREPHTHALATE  
リール : ポリスチレン <リサイクル材を含む>  
REEL : POLYSTYRENE <RECYCLE MATERIAL CONTAINED>
  - ELV 及びRoHS適合品  
ELV AND RoHS COMPLIANT.
  - カバーテープの剥離強度については、IEC60286-3に準拠のこと。  
COVER TAPE PEEL FORCE IS DEFINED BY IEC60286-3.

45.4	20.2	44	504056-2070	20
C	B	A (WIDTH OF TAPE)	EMBOSSSED PACKAGE オーダー番号 ORDER NO.	極数 CKT
CONNECTOR SERIES NO. 504056-**00				

PROPOSED EC NO: J2012-0149 DRWN:TKON CHKD: APPR:NUKITA	DESCRIPTION 2011/07/25 2011/08/10	GENERAL TOLERANCES (UNLESS SPECIFIED)		DIMENSION STYLE MM ONLY		SCALE 1:1	DESIGN UNITS METRIC	THIRD ANGLE PROJECTION		
		10 UNDER	±0.2	DRAWN BY TKON	DATE 2011/07/25	TITLE 2.0MM W/B CONN. DUAL R/A PLUG ASS'Y EMBOSSSED TAPE PKG				
		10 OVER 30 UNDER	±0.25	CHECKED BY	DATE	APPROVED BY NUKITA				
		30 OVER	±0.3	DATE 2011/08/10	DATE					
ANGULAR ±1 °		DRAFT WHERE APPLICABLE MUST REMAIN WITHIN DIMENSIONS		MATERIAL NO. SEE TABLE		DOCUMENT NO. SD-504056-002		SHEET NO. 1 OF 1		
SIZE A3		THIS DRAWING CONTAINS INFORMATION THAT IS PROPRIETARY TO MOLEX INCORPORATED AND SHOULD NOT BE USED WITHOUT WRITTEN PERMISSION								