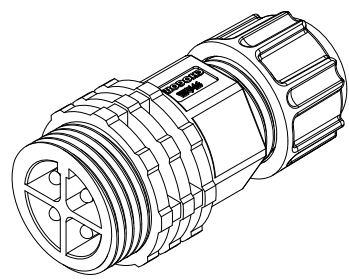
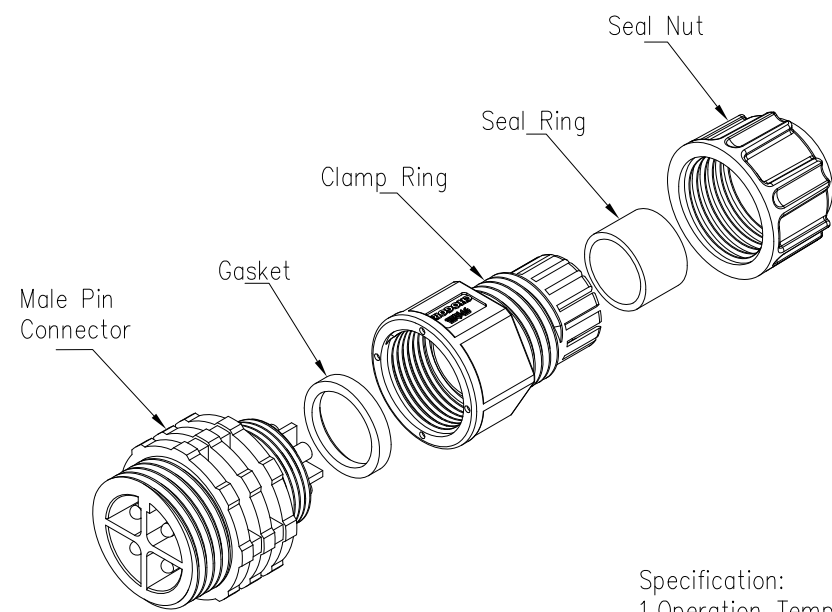
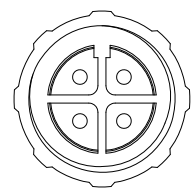
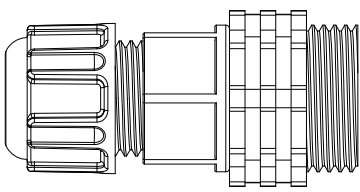
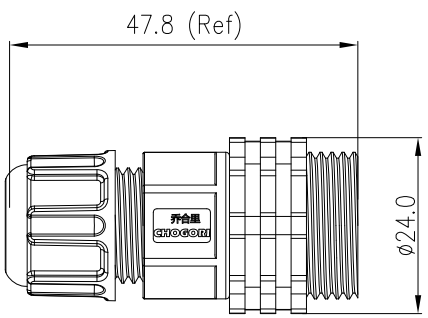
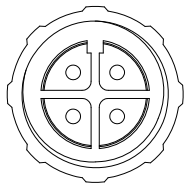


REV.	ECN NO.	DESCRIPTION	SIGN	DATE
C1	N/A	INITIAL DRAWING	Hary	2020/05/19



23XXX311-XX Cable Range OD
 01 OD: φ3.5mm~φ6.5mm
 02 OD: φ6.5mm~φ9.5mm

Pin Number



4 Pin

P/N: 23004311-XX

Pin Assignments
Front View

- Specification:
- 1.Operation Temperature: -45°C~105°C.
 - 2.Insulation Resistance:100MΩ at DC500V.
 - 3.Contact Resistance:<10mΩ
 - 4.Withstand Voltage: 2000V AC
 - 5.Operating Current:15A
 - 6.Operating Voltage:AC 300V
 - 7.Waterproof Rate:IP67 (Mated)
 - 8.Seal Nut:Nylon, Black
 - 9.Seal Ring:Silicon, Black.
 - 10.Clamp Ring:Nylon, Black
 - 11.Gasket:Silicon, Red
 - 12.Male Pin:Copper Alloy, Gold Plated
 - 13.Connector:Nylon+GF, Black
 - 14.RoHS Compliant.
 - 15.Mating Cap:806-00052-00

UNIT:mm	
TOLERANCE	
.X	±0.25
.XX	±0.15
.XXX	±0.05
ANGLES	±1°

DESCRIPTION		Middle Series Screw Female Plug With Male Pin	
SCALE:	1:1	SHEET	1 OF 1
REV.	C1	SIZE	A4
* :Inspection Item			



PART NO	23004311-XX	DRAWN BY	Hary	DATE	2020/05/19
DWG NO		CHECKED BY	Mo	DATE	2020/05/19
CUSTOMER		APPROVED BY	Panson	DATE	2020/05/19

THIS INFORMATION IS CONFIDENTIAL AND IS DISCLOSED TO YOU ON CONDITION THAT NO FURTHER DISCLOSURE IS MADE BY YOU TO OTHER THAN CHOGORI PERSONNEL WITHOUT AUTHORIZATION FROM CHOGORI CORP.