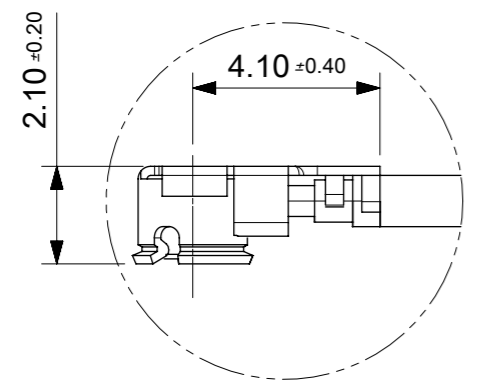
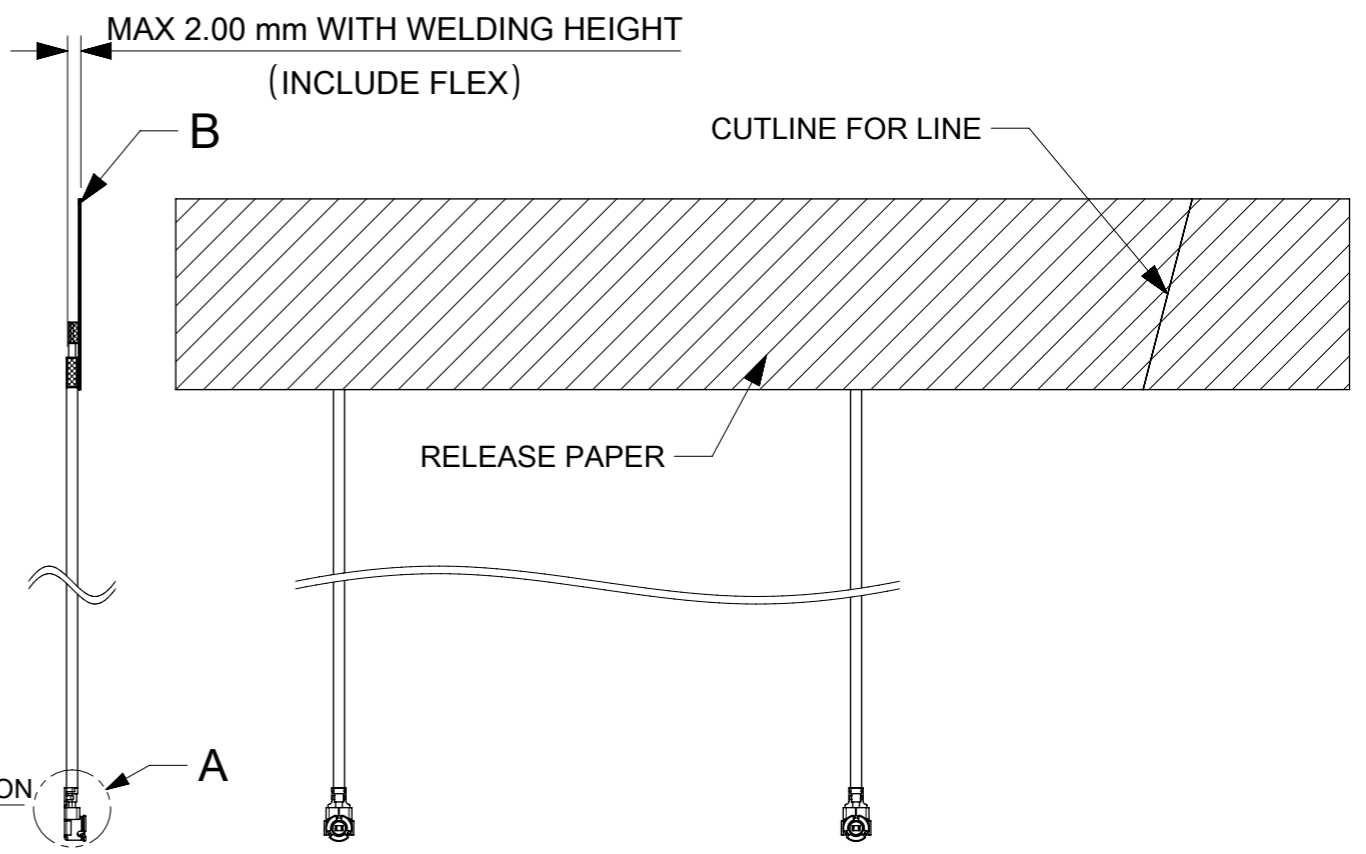
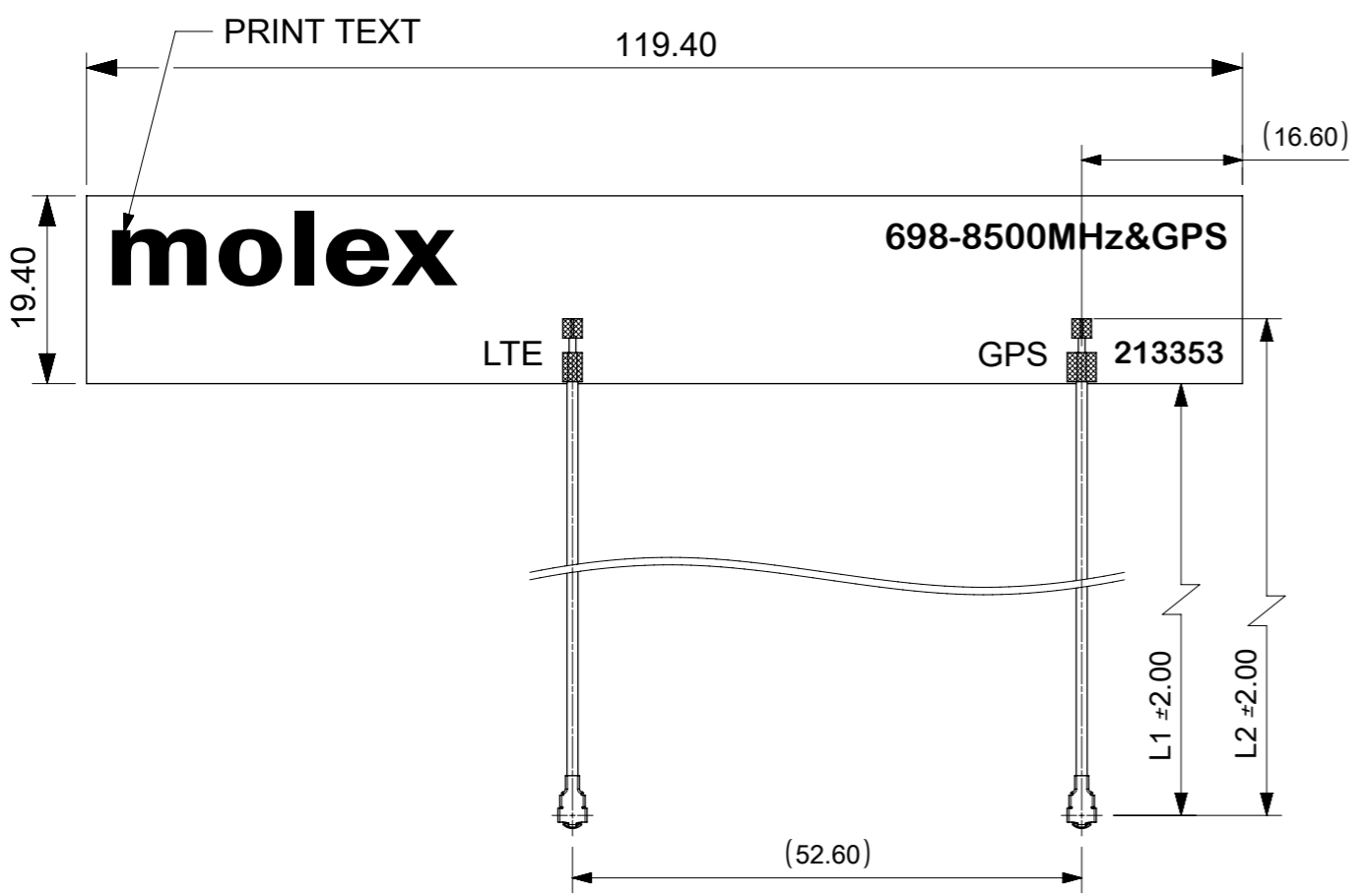
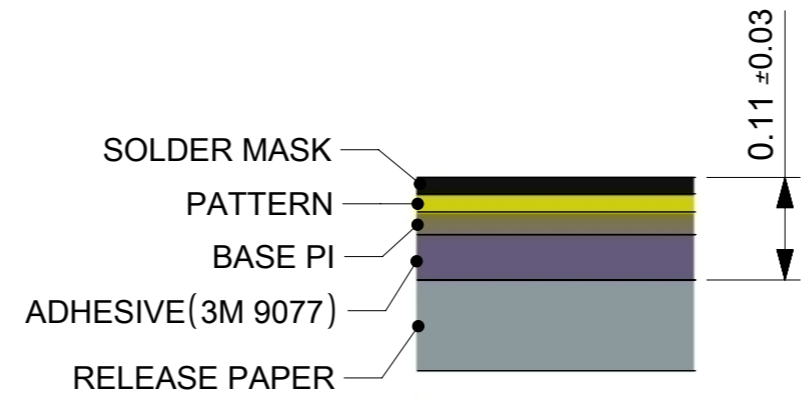


REV	DATE	DESCRIPTION
A1	2019/11/26	NEW RELEASE
A2	2020/02/20	ADD FLEX TOTAL THICKNESS
B	2020/11/26	UPDATE PRINT TEXT (ADD "LTE" AND "GPS")



DETAIL A SCALE 6:1
CONNECTOR



DETAIL B SCALE 120:1
FLEX LAYER

ITEM	MATERIAL NO.	CABLE LENGTH"L1"	CABLE LENGTH"L2"
1	2133530100	93.3mm	100mm
2	2133530150	143.3mm	150mm
3	2133530200	193.3mm	200mm

- NOTES:
- FLEX SIZE: 119.4*19.4mm
CABLE: $\varnothing 1.13 \pm 0.15$ mm
CONNECTOR: OD1.13 RF 2.5H MHF I CONNECTOR (PLUG GOLD PLATED)
 - FOR PULL TEST, CAN NOT LIFT UP IN THE VERTICAL DIRECTION.
 - SOLDER MASK: BLACK. PRINT TEXT COLOR: WHITE.
 - APPLICATION SPEC REFER TO AS OF 2133530100.
 - PRODUCT SPEC REFER TO PS OF 2133530100.
 - PACKAGING SPEC REFER TO PK OF 2133530100.

SYMBOLS DIMENSION UNITS: mm SCALE: 1:1 GENERAL TOLERANCES (UNLESS SPECIFIED): ANGULAR TOL: $\pm 0.5^\circ$ 4 PLACES: \pm 3 PLACES: ± 0.2 2 PLACES: ± 0.25 1 PLACE: ± 0.3 0 PLACES: ± 0.5 DRAFT WHERE APPLICABLE MUST REMAIN WITHIN DIMENSIONS THIRD ANGLE PROJECTION	THIS DRAWING CONTAINS INFORMATION THAT IS PROPRIETARY TO MOLEX ELECTRONIC TECHNOLOGIES, LLC AND SHOULD NOT BE USED WITHOUT WRITTEN PERMISSION.		CURRENT REV DESC: EC NO: 650236 DRWN: KCHENG06 2020/11/26 CHK'D: AYIN 2020/12/01 APPR: AYIN 2020/12/01		
	INITIAL REVISION: DRWN: KCHENG06 2019/11/16 APPR: XJSONG 2019/11/22		PRODUCT CUSTOMER DRAWING		
	DOCUMENT NUMBER: 2133530100		DOC TYPE: PSD DOC PART: 000 REVISION: B		SHEET NUMBER: 1 OF 1
	MATERIAL NUMBER: SEE TABLE		CUSTOMER: GENERAL MARKET		