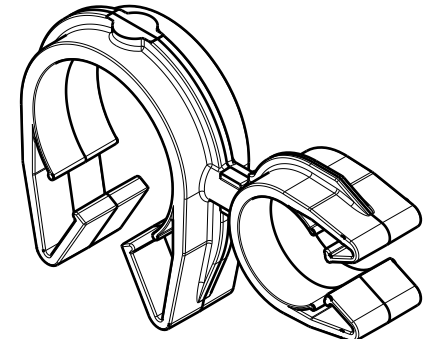
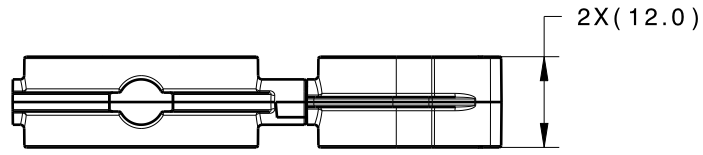
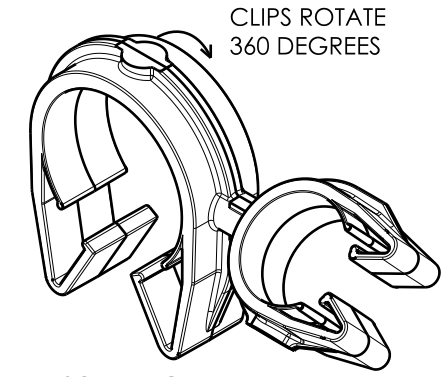
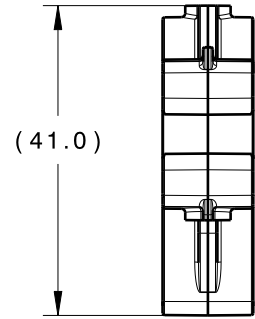
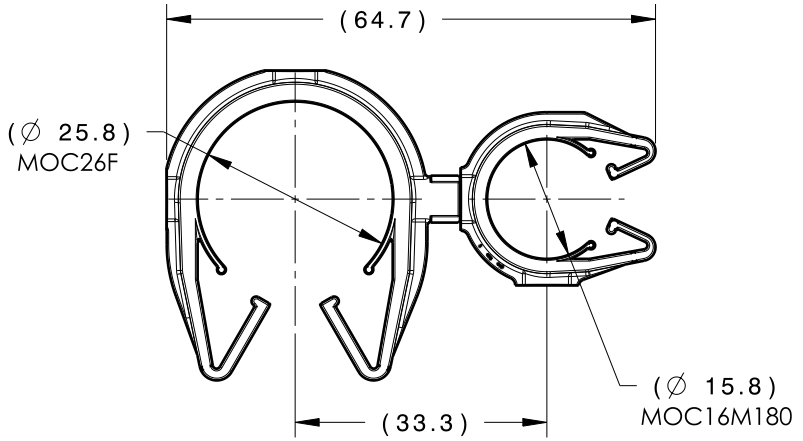


Revision Level			Revision Record	Changed	Date	Approved	Date
Drawing	State	Part					
00.2	Design Release	-	SEE ECN# 014774	TAT	12/3/2018	EJH	12/3/2018



ISOMETRIC VIEW



CLIPS ROTATE 360 DEGREES

ISOMETRIC VIEW ROTATED

TYPE	MOC26F	MOC16M180
HARNESS	24.5MM – 28.5MM	14.0MM - 17.0MM
HOSE	23.0MM – 28.5MM	14.0MM - 17.0MM
HARD PIPE/TUBE	25.9MM – 29.0MM	15.9MM - 18.3MM

\*RECOMMENDED SIZES MAY DIFFER DEPENDING ON THE APPLICATION , PRODUCT REQUIREMENTS AND MATERIALS USED

\*\*PATENT PENDING 29/582,271

GLOBAL PART DESCRIPTION	MOC26F**			MOC16M180**		
	DRAWING	MATERIAL	COLOR	DRAWING	MATERIAL	COLOR
MOC26FMOC16M180-PA66HIRHSUV-BK	16-0325-000-CSU	PA66HIRHSUV	BLACK	16-0321-000-CSU	PA66HIRHSUV	BLACK

Material SEE CHART COLOR: SEE CHART	Units	millimeters	The copyright of this drawing is reserved by HellermannTyton. It is issued on condition that it is not reproduced, copied or disclosed to a third party, either wholly or in part, without the consent of HellermannTyton.	Drawn	CJR	10/1/18	Article/Type-No	MOC26FMOC16M180	Scale	1:1
	Tolerance defined on each dimension	 North America Email: corp@htamericas.com Web: www.hellermann.tyton.com		Approved	TAT	10/1/18	Title	26MM MOC COUPLED TO A 16MM MOC M180	Project Number	16-0330
				Drawing-No	PRODUCTION : Phase		Format	AH		
				<b>16-0330-854-CSU</b>		Sheet	1/1			