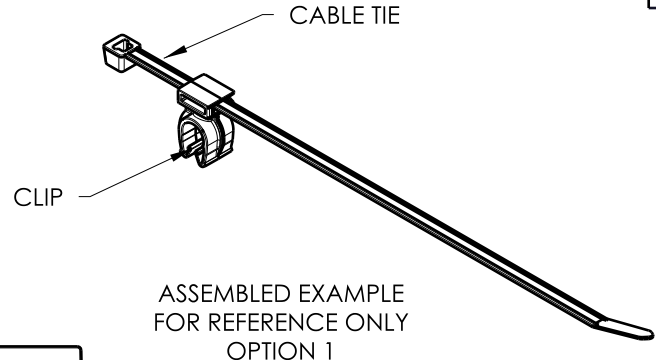
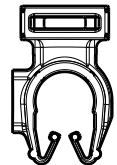
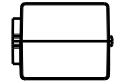


Revision Level			Revision Record	Changed	Date	Approved	Date
Drawing	State	Part					
00.0	Design Release	-	SEE ECN# 014632	TAT	9/7/18	EJH	9/7/18

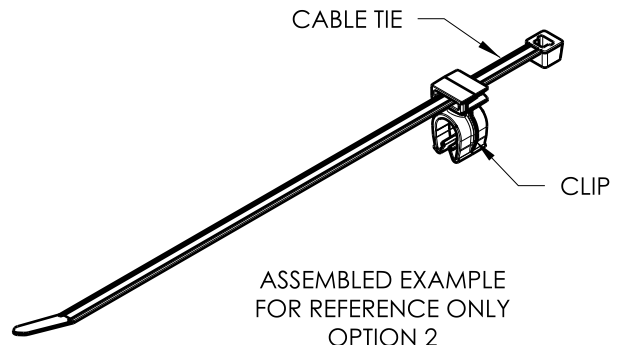


ASSEMBLED EXAMPLE FOR REFERENCE ONLY
OPTION 1

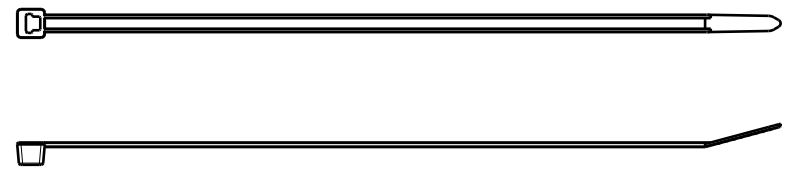


MOC8SAD

DELIVERY CONDITION: UNASSEMBLED SET
SCALE 1:1



ASSEMBLED EXAMPLE FOR REFERENCE ONLY
OPTION 2



T50R
DELIVERY CONDITION: UNASSEMBLED SET

TYPE	DIAMETER RANGE*
HARNESS	7.5MM-8.5MM
HOSE	7.0MM-8.5MM
HARD PIPE/TUBE	7.9MM-8.5MM

*RECOMMENDED SIZES MAY DIFFER DEPENDING ON THE APPLICATION, PRODUCT REQUIREMENTS AND MATERIALS USED

**PATENT PENDING 29/582,271

GLOBAL PART DESCRIPTION	BUNDLE RANGE	CABLE TIE			CLIP		
		DRAWING	MATERIAL	COLOR	DRAWING	MATERIAL	COLOR
T50RMOC8SAD-SET-PA66HIRHSUV-BK	4 TO 50	CT2050007CST	PA66HIRHSUV	BLACK	16-0316-008-CSU	PA66HIRHSUV	BLACK

Material SEE CHART COLOR: SEE CHART	Units	millimeters	The copyright of this drawing is reserved by HellermannTyton. It is issued on condition that it is not reproduced, copied or disclosed to a third party, either wholly or in part, without the consent of HellermannTyton.	Drawn	TAT	9/7/18	Article/Type-No	T50RMOC8SAD		Scale	1:2		
	Tolerance defined on each dimension	Approved		EJH	9/7/18	Title		8MM (5/16") MOC WITH T50R CABLE TIE		Project Number	16-0316		
		HellermannTyton North America Email: corp@htamericas.com Web: www.hellermann.tyton.com						Drawing-No	PRODUCTION : Phase	Format	AH		
								16-0316-108-CSU					