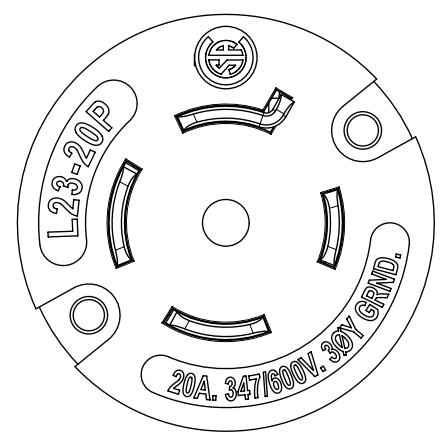
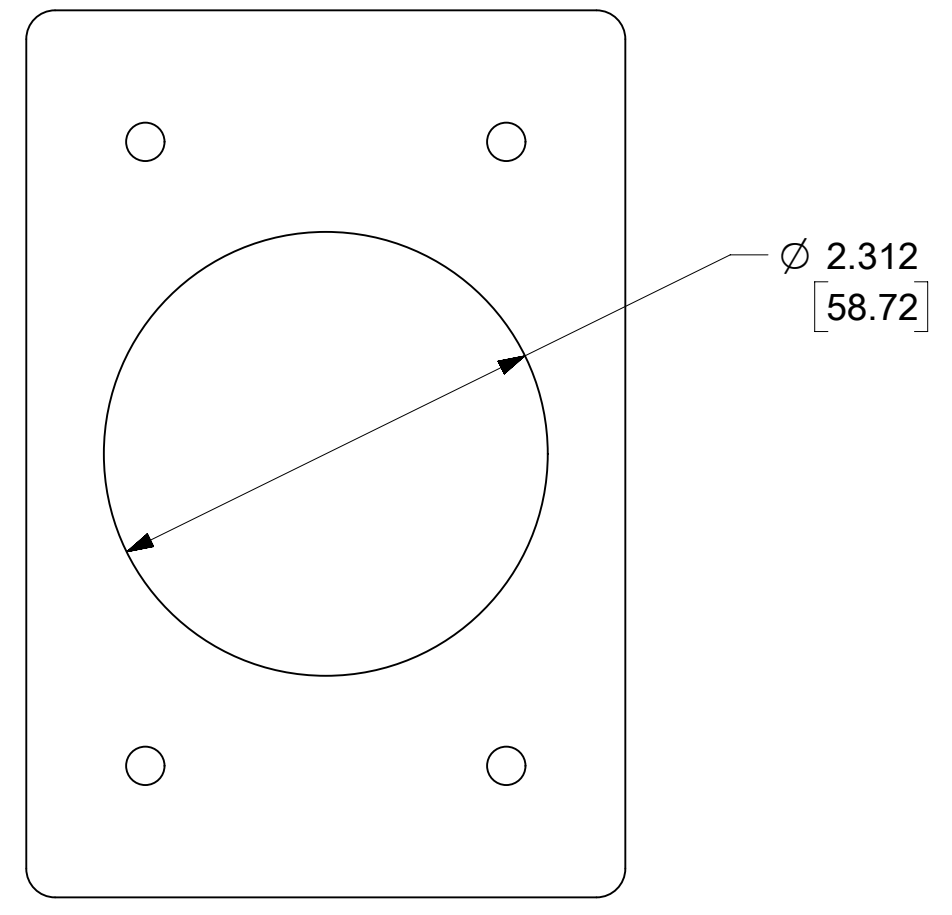
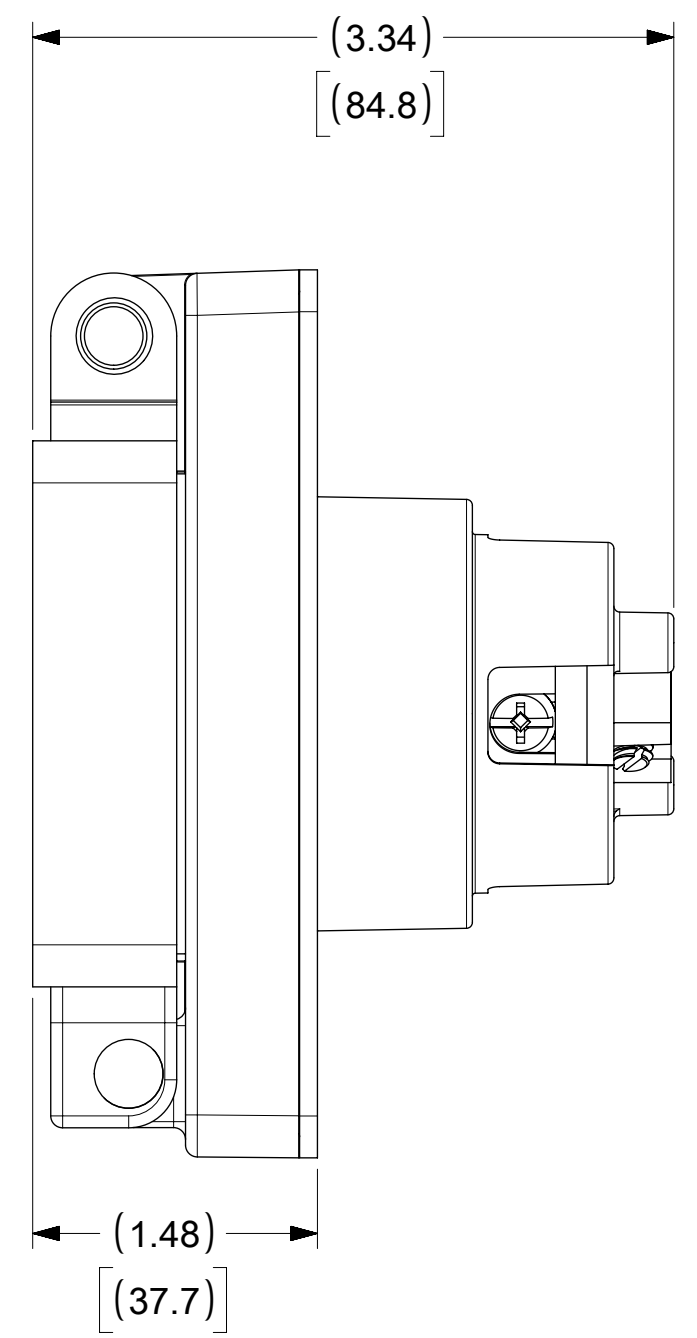
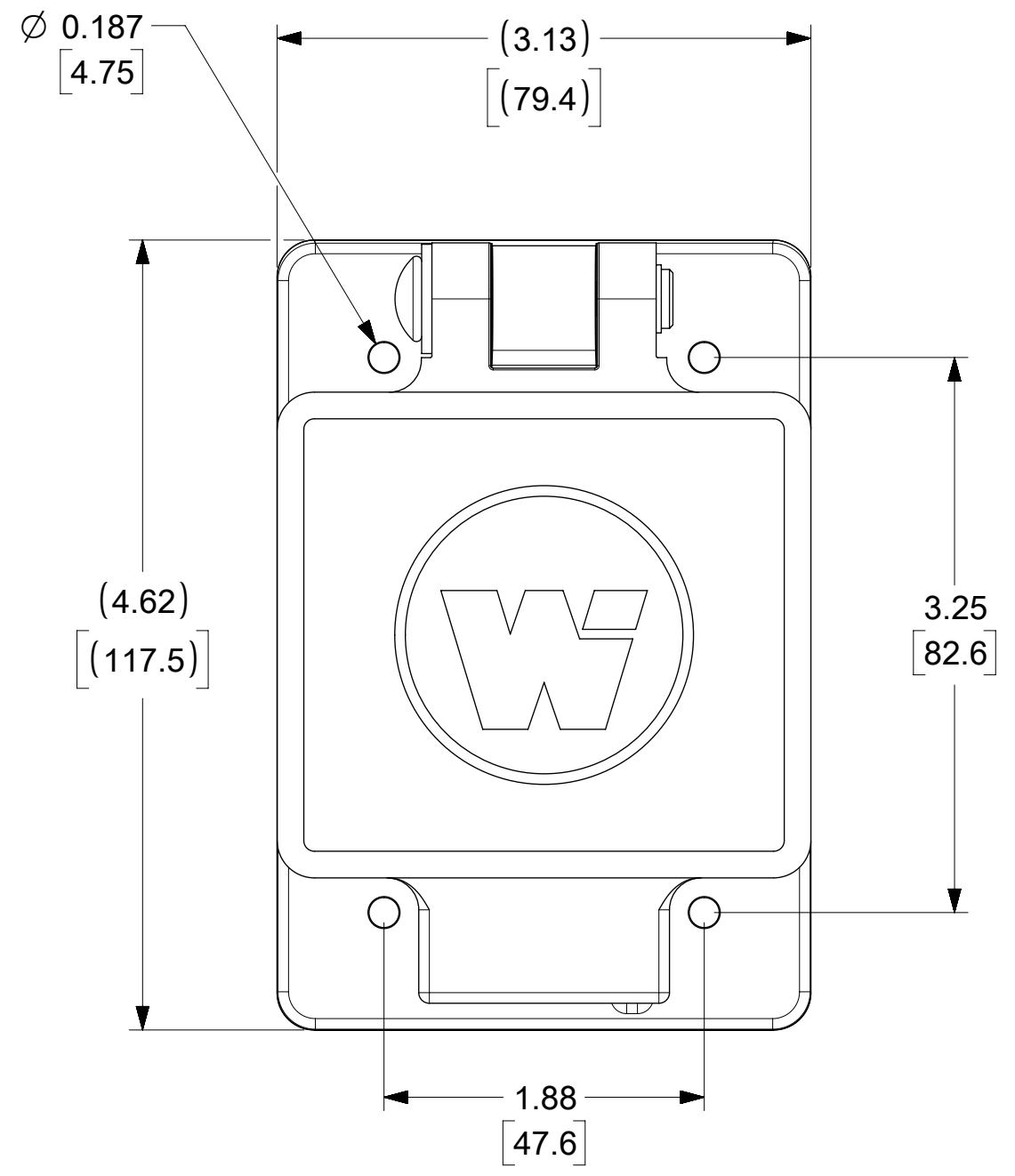
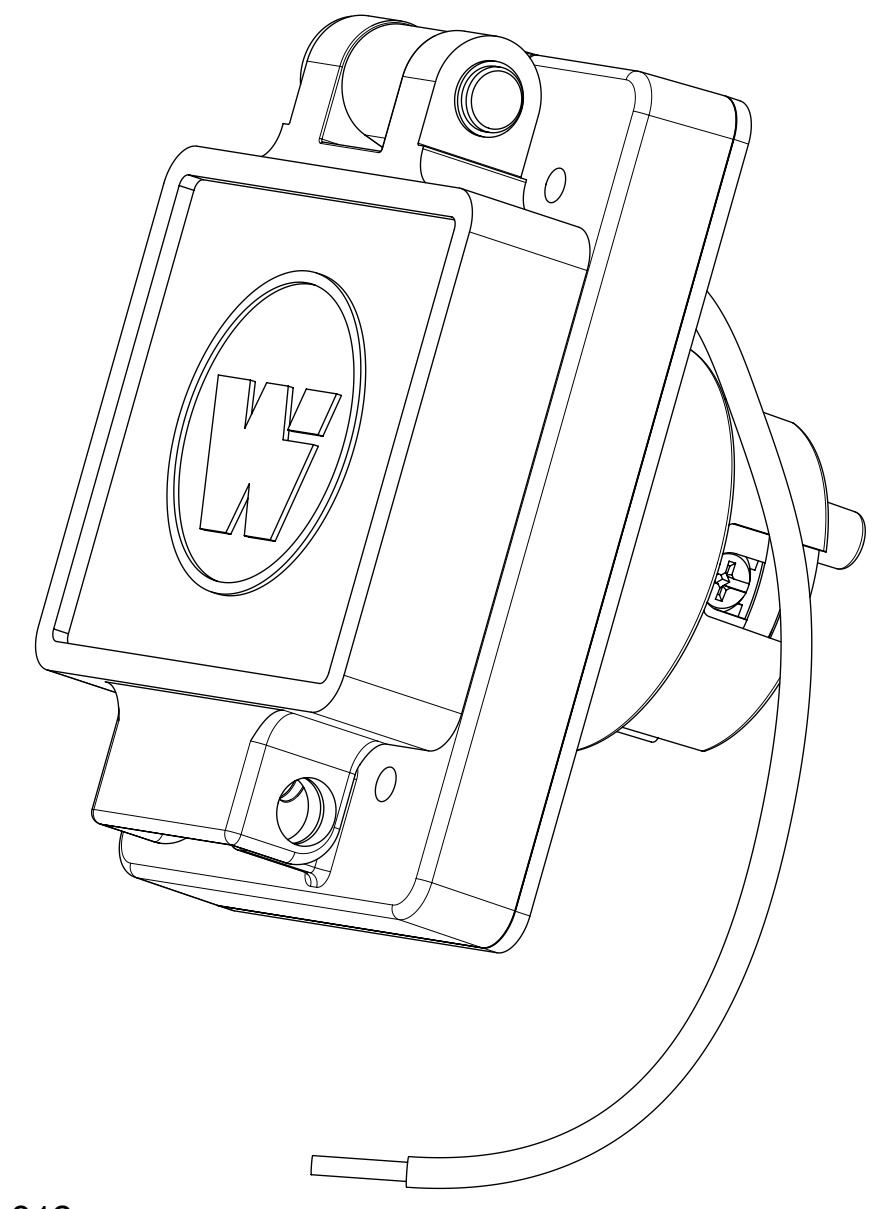


ORDER NO.	WOODHEAD NO.	COLOR
130147-0136	66W83	YELLOW



FACE VIEW



CLEARANCE HOLE (FOR PANEL MOUNT)

DESCRPTION	MATERIAL	QTY.
BLADES	BRASS, NICKEL PLATED	3
RETAINING SCREWS	STAINLESS STEEL	3
CLAMP AND TERMINAL SCREW ASSY.	BRASS, ZINC PLATED	3
MALE INSERT	NYLON	1
TERMINAL COVER	POLYCARBONATE	1
COVER ASSEMBLY	POLYCARBONATE, STAINLESS STEEL, ALUMINUM	1
GASKET FLIP	NEOPRENE	1
MOTOR BASE MTG ASSY	POLYCARBONATE, STAINLESS STEEL, BRASS	1
SCREW (GROUND WIRE)	STAINLESS STEEL	1
JUMPER WIRE ASSY	COPPER, BRASS (TINNED FINISH)	1

THIS DRAWING CONTAINS INFORMATION THAT IS PROPRIETARY TO MOLEX ELECTRONIC TECHNOLOGIES, LLC AND SHOULD NOT BE USED WITHOUT WRITTEN PERMISSION													
SYMBOLS		DIMENSION UNITS		SCALE		CURRENT REV DESC: MIGRATE TO ECTR/NX							
▽ = 0	INCH	MM	NTS			molex WATERTITE MOTOR BASE COVERPLATE 4P5W L23-20 PRODUCT CUSTOMER DRAWING							
▽ = 0	GENERAL TOLERANCES (UNLESS SPECIFIED)									EC NO: 613843 DRWN: SRPATIL 2018/12/21 CHK'D: DNGUYEN62 2019/03/15 APPR: HKNEELAND 2019/03/22			
▽ = 0	4 PLACES	±	±	MM	INCH					INITIAL REVISION: DRWN: SRPATIL 2018/12/21 APPR: HKNEELAND 2019/03/22			
▽ = 0	3 PLACES	±	±			DOCUMENT NUMBER: 1301470136 DOC TYPE: PSD DOC PART: 000 REVISION: A							
▽ = 0	2 PLACES	±	±			MATERIAL NUMBER: SEE TABLE CUSTOMER: GENERAL MARKET SHEET NUMBER: 1 OF 1							
▽ = 0	1 PLACE	±	±			DRAFT WHERE APPLICABLE MUST REMAIN WITHIN DIMENSIONS THIRD ANGLE PROJECTION DRAWING: C-SIZE SERIES: 130147							
▽ = 0	0 PLACES	±	±										
▽ = 0	ANGULAR TOL	±	°										