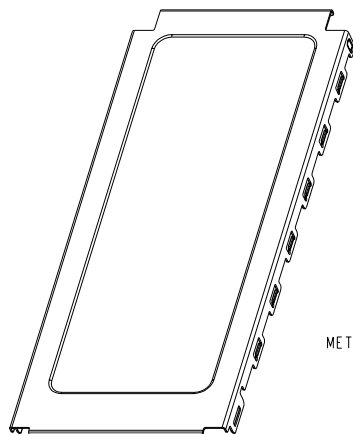
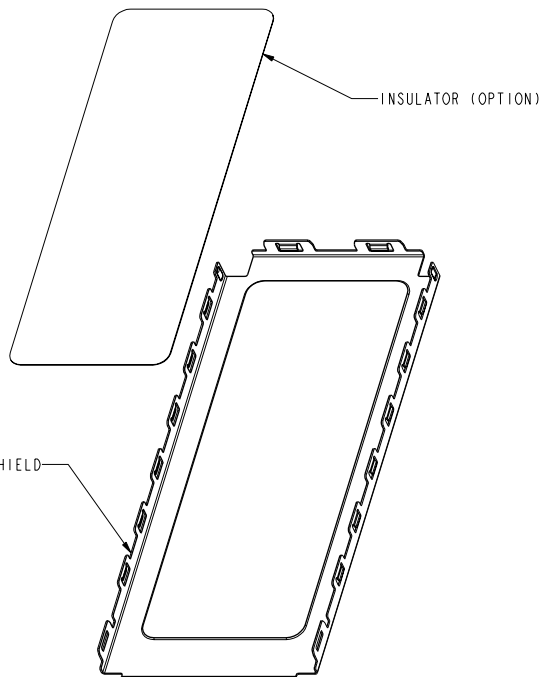


PRODUCT NO.	INSULATOR	THERMOCOMPRESSION TAPE
10030573-100LF	NO	NO
10030573-110LF	YES	NO
10030573-200LF	NO	NO
10030573-201LF	NO	YES
10030573-210LF	YES	NO
10030573-300LF	NO	NO
10030573-310LF	YES	NO

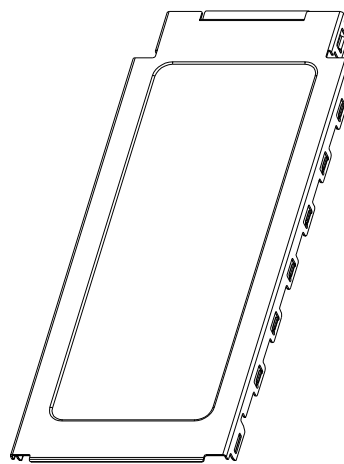


10030573-1X0LF

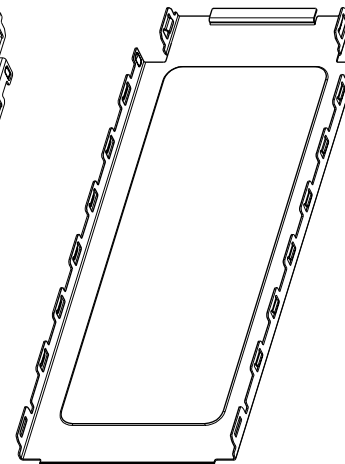


INSULATOR (OPTION)

METAL SHIELD



10030573-2X0LF



10030573-3X0LF

NOTES:

- MATERIAL PROPERTIES:
 METAL SHIELD : STAINLESS STEEL, SURFACE FINISH : MATTE.
 INSULATOR : POLYESTER FILM WITH ADHESIVE, 3M 1350 OR EQUIVALENT.

- PART NUMBER SCHEME:
 10030573- X X X L F

- 0: WITHOUT THERMOCOMPRESSION TAPE
- 1: WITH THERMOCOMPRESSION TAPE

- INSULATOR
- 0: NO
- 1: STANDARD

- SHIELD TYPE NO.
- 1: STANDARD (CLOSE-END)
- 2: EXTENDED (OPEN-END)

- PRODUCT PERFORMANCE PER SPEC. GS-12-292.
- PACKAGING SPEC. PER GS-14-927.
- THIS PRODUCT IS ROHS COMPLIANT, AND MEETS EUROPEAN UNION DIRECTIVES AND OTHER COUNTRY REGULATIONS AS PER GS-22-008.
- DATE CODE FORMAT: WWYY; FOR EXAMPLE: 2207 MEANS WEEK 22 AND YEAR 2007.

rev	ecn no	dr	date
H	N07-0078	HB	2007-03-16
J	N07-0147	LONG	2007-06-29
K	N07-0201	SH	2007-07-28
L	N08-0247	R.B	2008/11/12

www.fciconnect.com				surface	<input checked="" type="checkbox"/>	tolerance std	projection	MM
				TOLERANCES UNLESS OTHERWISE SPECIFIED				
Dr	DAVID TENG	2004-10-04	ANGULAR	LINEAR	0.X	±0.30	size A4	Scale 1.000
Eng	DAVID TENG	2004-10-04			0.XX	±0.15		
Chr	PAUL WANG	2004-10-04			0.XXX	±0.08		
Appr	JOSEPH HSIA	2004-10-04	Product family		ECN N08-0247		Spec ref	
				title TOP SHIELD SUB-ASSEMBLY EXPRESSCARD/34 MODULE CARD KIT		dwg no 10030573		Rev. L
				catalog no 10030573		CUSTOMER		sheet 1 of 5

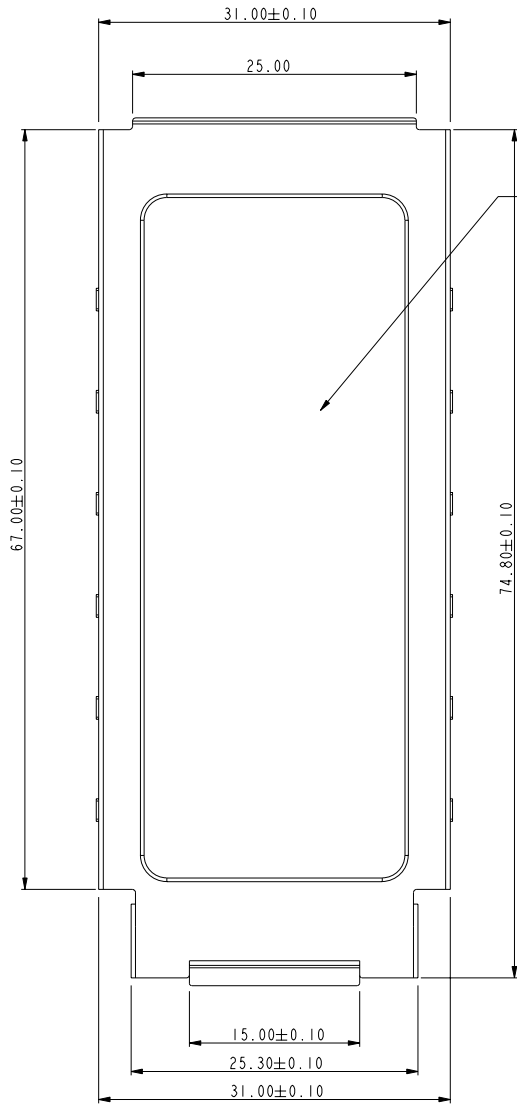


Copyright FCI.

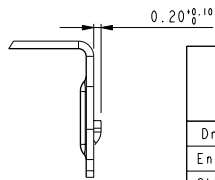
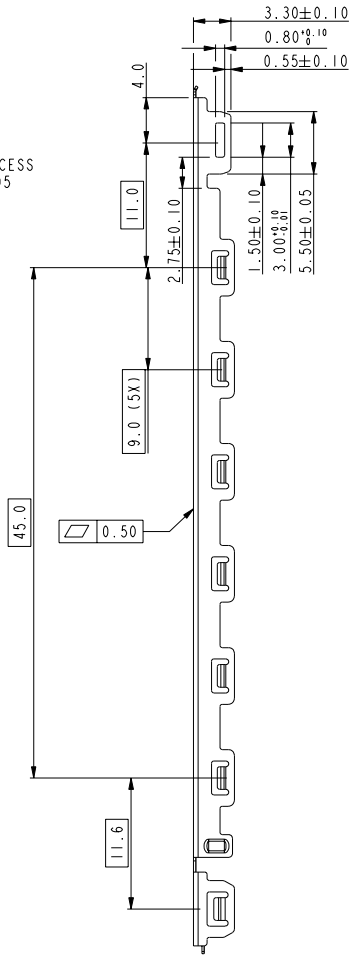


Copyright FCI.

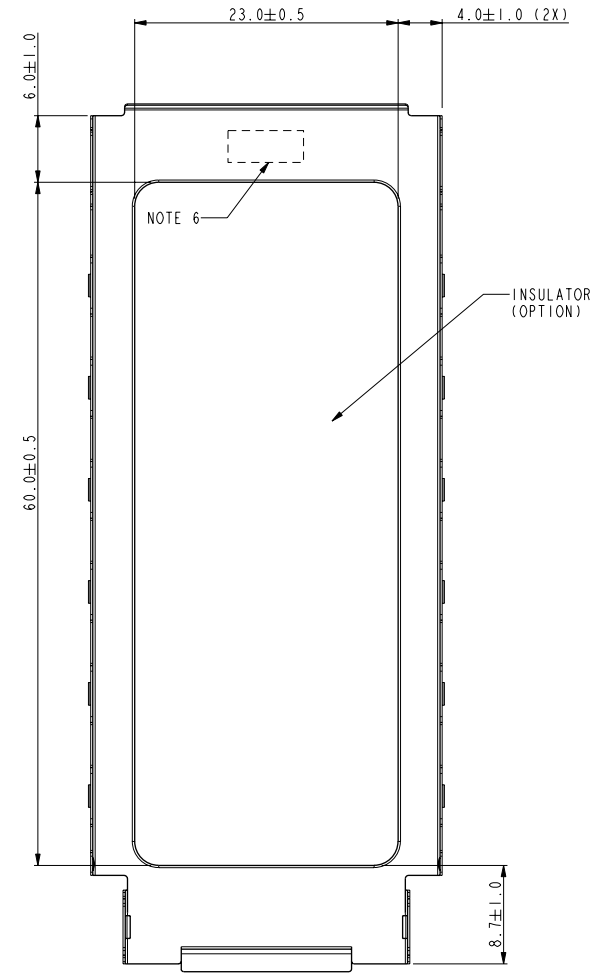
PRODUCT NO.
10030573-2X0LF



LABEL RECESS
0.12±0.05



DETAIL B
SCALE 5.000



NOTE 6

INSULATOR
(OPTION)

www.fciconnect.com			surface	tolerance std	projection	MM		
			✓		⊕	←→		
			TOLERANCES UNLESS OTHERWISE SPECIFIED					
Dr	David Teng	2004-10-04	ANGULAR	LINEAR	0.X	±0.30	size A4	Scale 1.000
Eng	David Teng	2004-10-04			0.XX	±0.15		
Chr	Paul Wang	2004-10-04			0.XXX	±0.08		
Appr	Joseph Hsia	2004-10-04	Product family		Spec ref		*	
FCI			title TOP SHELL SUB-ASSEMBLY			dwg no 10030573		Rev. L
			catalog no			CUSTOMER		sheet 3 of 5

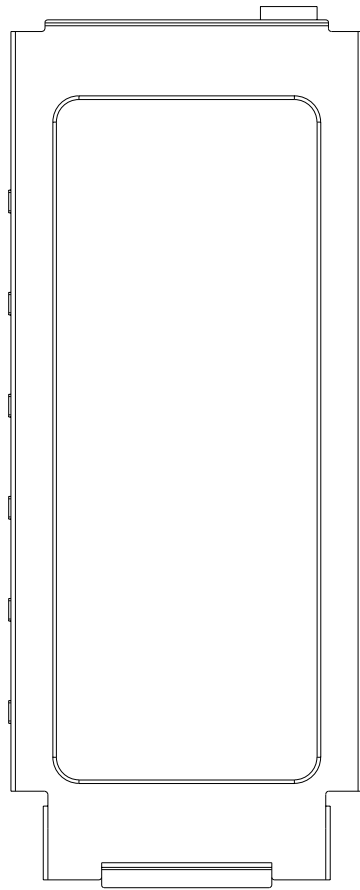
PRODUCT NO.
10030573-201LF

A

B

C

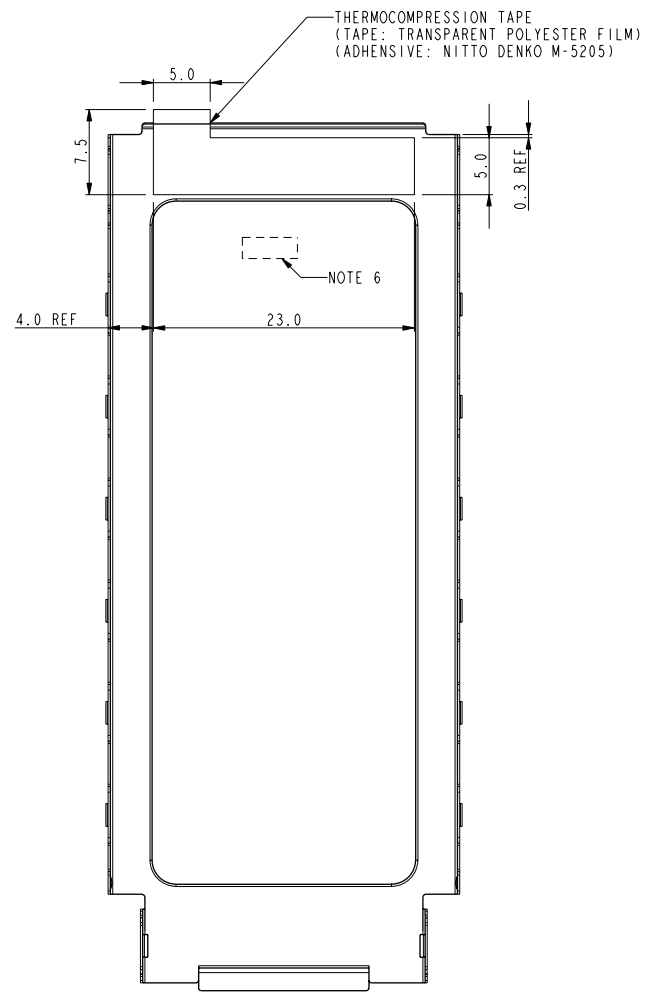
D



2

3

4



A

B

C

D

NOTE: ALL DIMENSITONS REFER TO 10030573-2X0LF EXCEPT THERMOCOMPRESSION TAPE



Copyright FCI.

www.fciconnect.com			surface <input checked="" type="checkbox"/>	tolerance std	projection	MM		
			TOLERANCES UNLESS OTHERWISE SPECIFIED					
Dr	David Teng	2004-10-04	ANGULAR	LINEAR	0.X	±0.30	size A4	Scale 1.000
Eng	David Teng	2004-10-04			0.XX	±0.15		
Chr	Paul Wang	2004-10-04			0°	±2°		
Appr	Joseph Hsia	2004-10-04	Product family			Spec ref		*
		title TOP SHELL SUB-ASSEMBLY EXPRESSCARD /34 MODULE CARD KIT			dwg no 10030573		Rev. L	
catalog no			CUSTOMER			sheet 4 of 5		

REV F - 2006-04-17

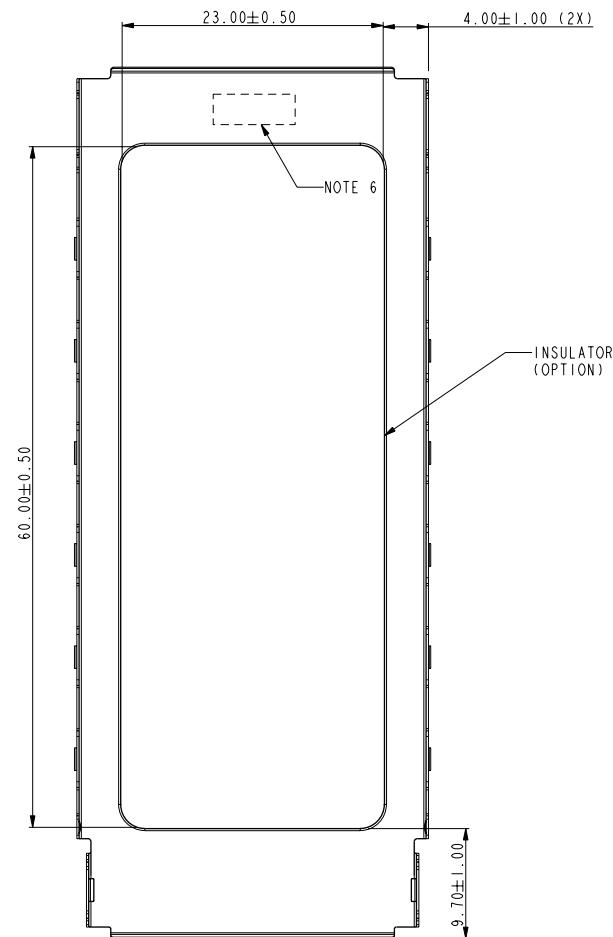
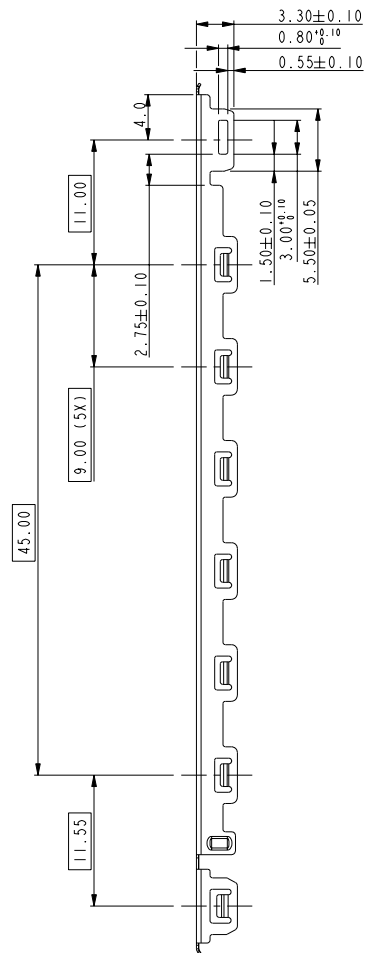
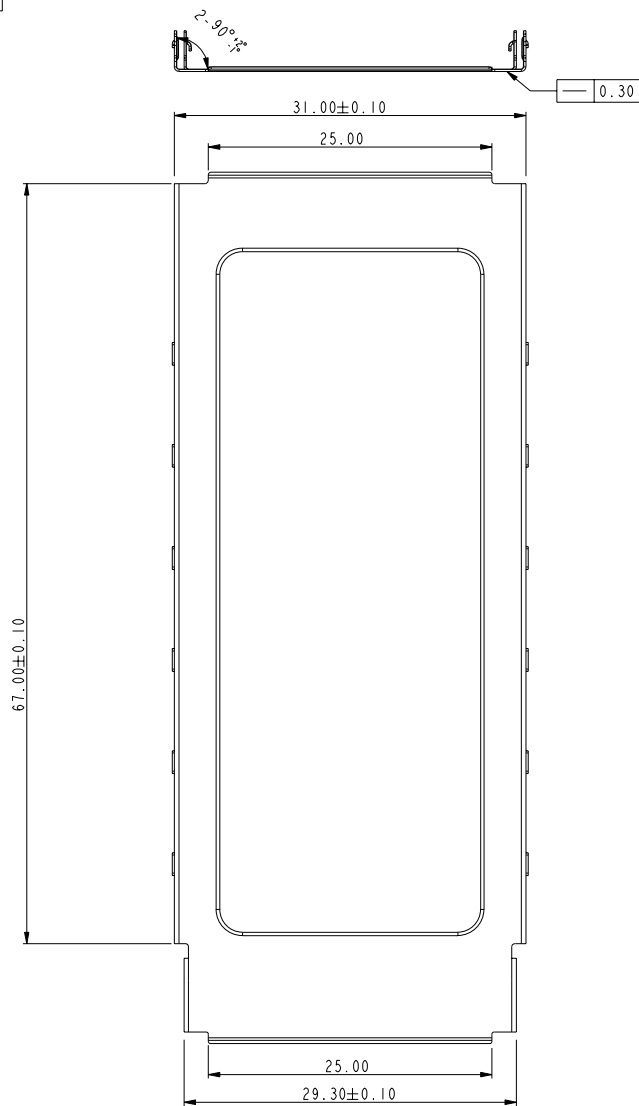
2

3 PDM: Rev:L

STATUS Released

4 Printed: Oct 12, 2010

PART NUMBER
10030573-3XOLF



www.fciconnect.com			surface	<input checked="" type="checkbox"/>	tolerance std	projection	MM	
			TOLERANCES UNLESS OTHERWISE SPECIFIED					
Dr	David Teng	2004-10-04	ANGULAR	LINEAR	0.X	±0.30	size A4	Scale 1.500
Eng	David Teng	2004-10-04			0.XX	±0.15	ECN	N08-0247
Chr	Paul Wang	2004-10-04	0°	±2°	0.XXX	±0.08	Spec ref *	
Appr	Joseph Hsia	2004-10-04	Product family			Spec ref *		
		title TOP SHELL SUB-ASSEMBLY EXPRESSCARD /34 MODULE CARD KIT			dwg no 10030573		Rev. L	
catalog no		CUSTOMER			sheet 5 of 5			



Copyright FCI.