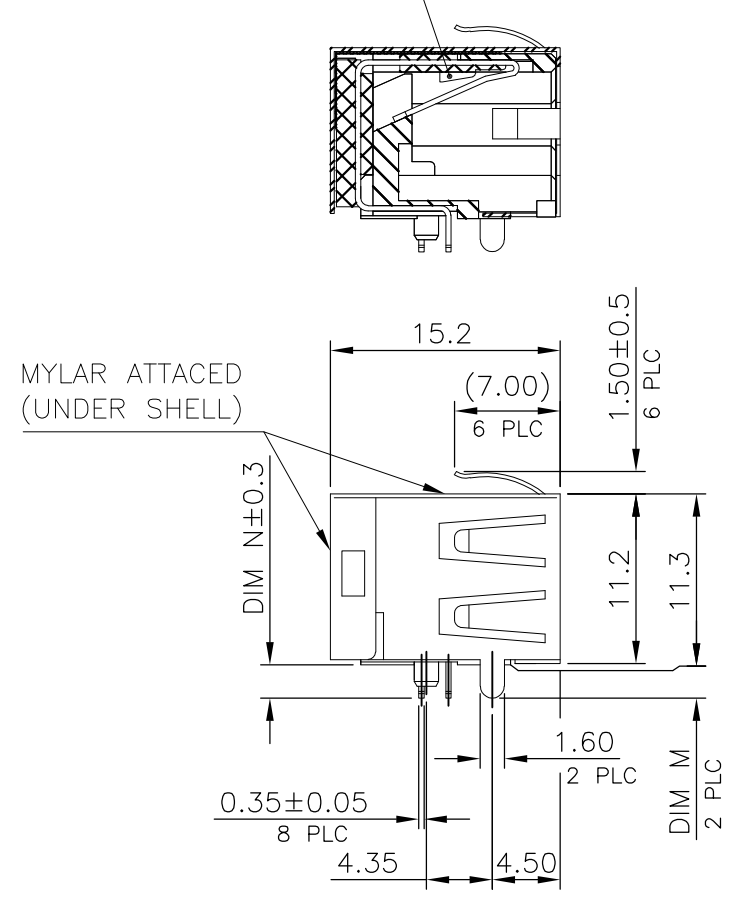


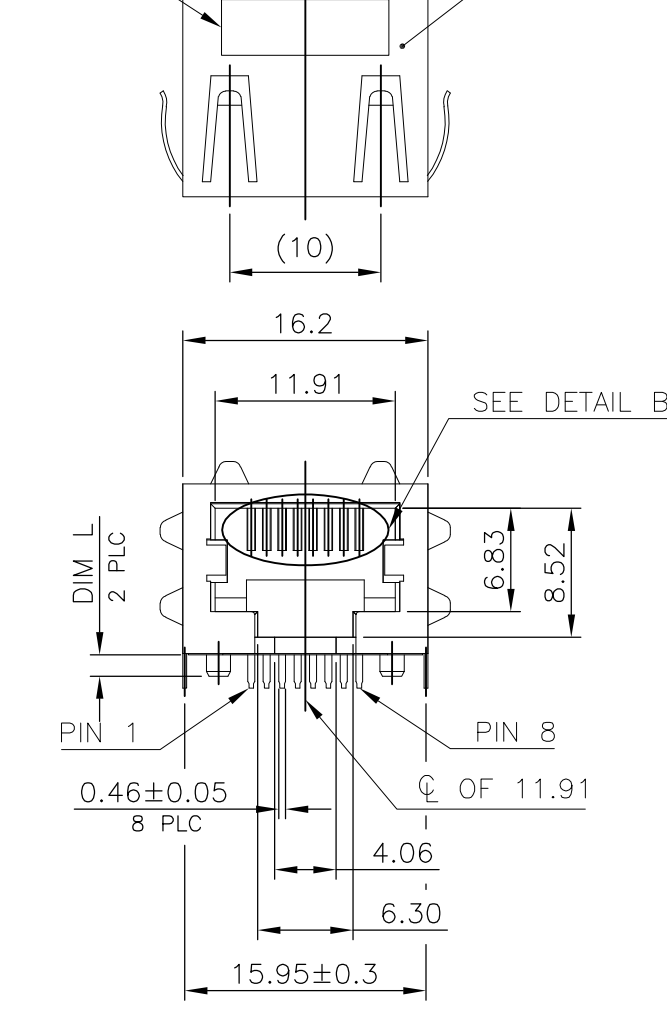
THIS DRAWING IS UNPUBLISHED. RELEASED FOR PUBLICATION  
 © COPYRIGHT - By - ALL RIGHTS RESERVED.

REVISIONS					
P	LTR	DESCRIPTION	DATE	DWN	APVD
	B	REVISED ECO-16-016666)	03OCT2016	LL	SH

RJ11 PREVENTER

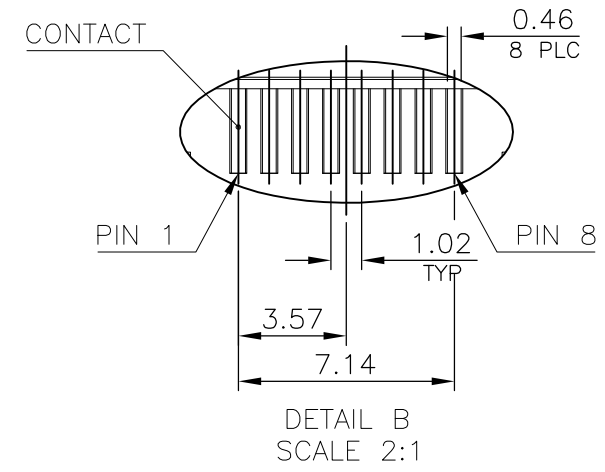


LOGO & DATA CODE SHELL

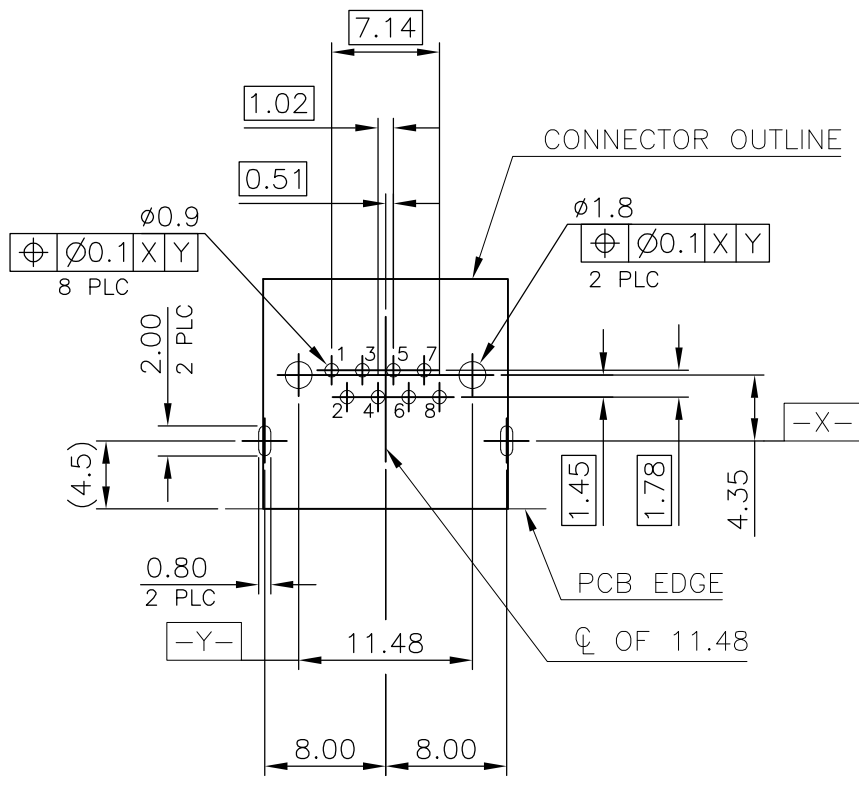


NOTE:

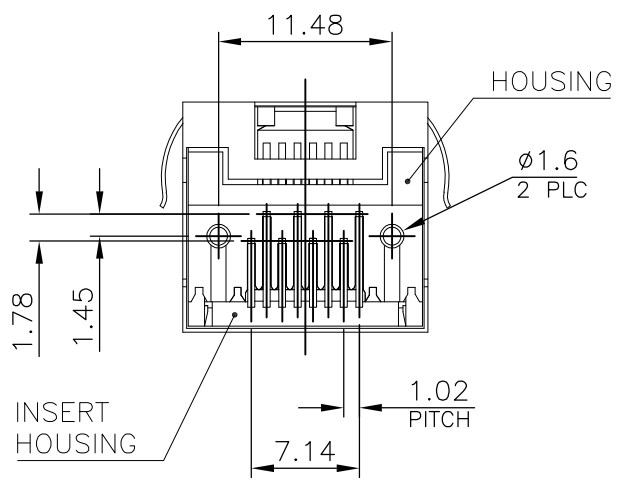
- MATERIAL:
  - HOUSING: PA46, WITH 30% GF, UL94 V-0, BLACK COLOR.
  - INSERT HOUSING: PA46, WITH 30% GF, UL94 V-0, BLACK COLOR.
  - CONTACTS: PHOSPHOR BRONZE.
  - SHELL: BRASS.
  - MYLAR: SILICONE POLYMER
- FINISH:
  - CONTACTS: (SEE TABLE) GOLD PLATED ON CONTACT AREA. GOLD FLASH ON SOLDER TAIL. 1.27um [50u"] MIN. NICKEL UNDERPLATED OVERALL.
  - SHELL: 0.508um [20u"] MIN. NICKEL PLATED OVERALL.
- WAVE SOLDER CAPABLE TO 265°C PER TE SPEC 109-202, CONDITION B.



OBSOLETE	4.06	3.5	3.5	3.5	WITH	1.27um[50u"]	2041035-5
						0.762um[30u"]	<del>2041035-3</del>
	3.97	2.2	2.2	1.4		0.381um[15u"]	<del>2041035-2</del>
						0.152um[6u"]	<del>2041035-1</del>
WEIGHT (gram)	DIM N	DIM M	DIM L	SHELL	MIN. GOLD THICKNESS	PART NUMBER	



RECOMMENDED PCB LAYOUT  
 RECOMMENDED PCB THICKNESS: 1.6mm  
 TOLERANCE: ±0.05 (TOP VIEW)



THIS DRAWING IS A CONTROLLED DOCUMENT.

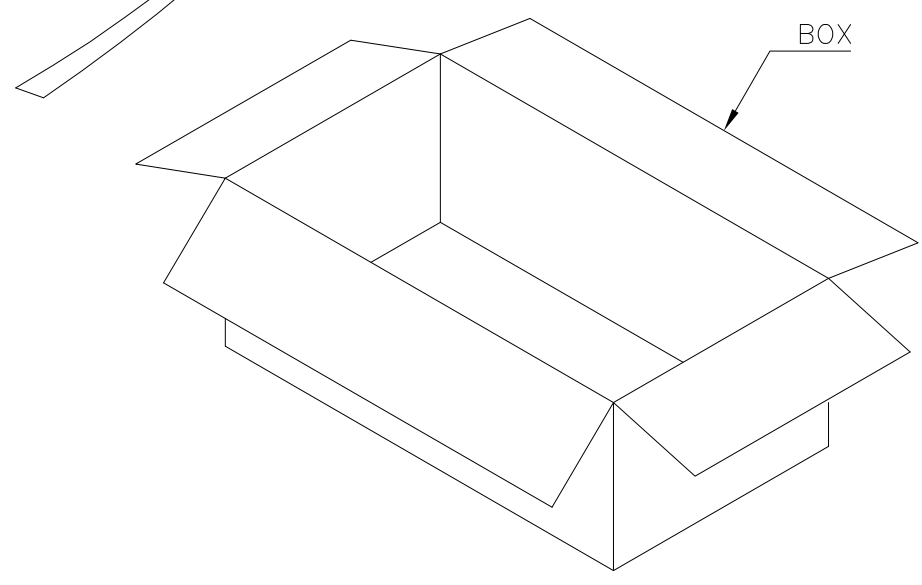
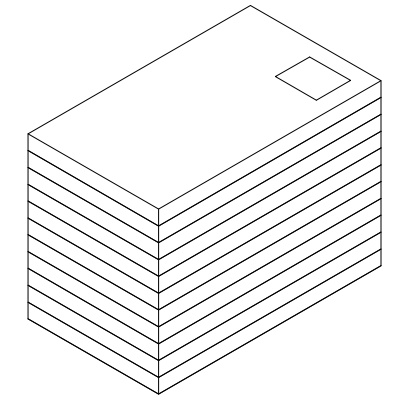
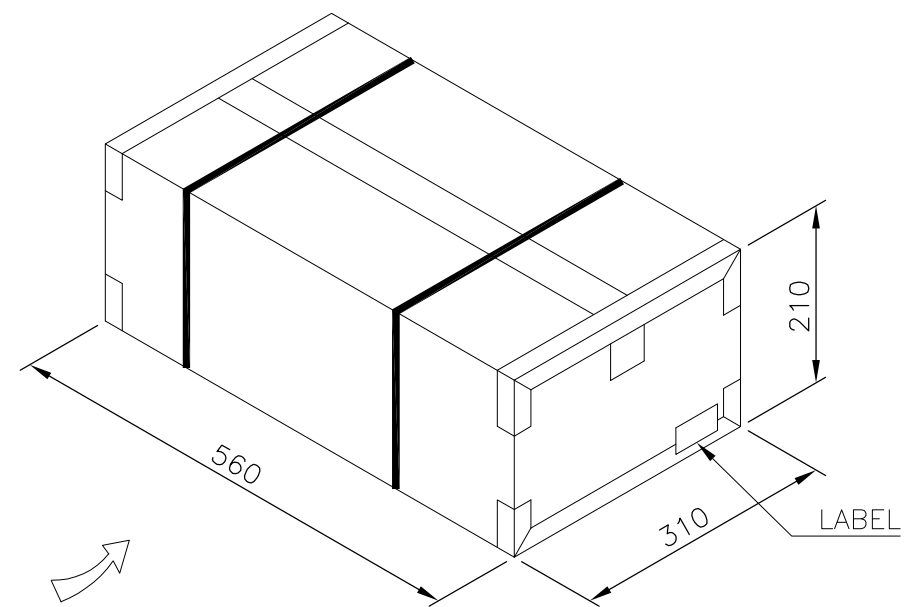
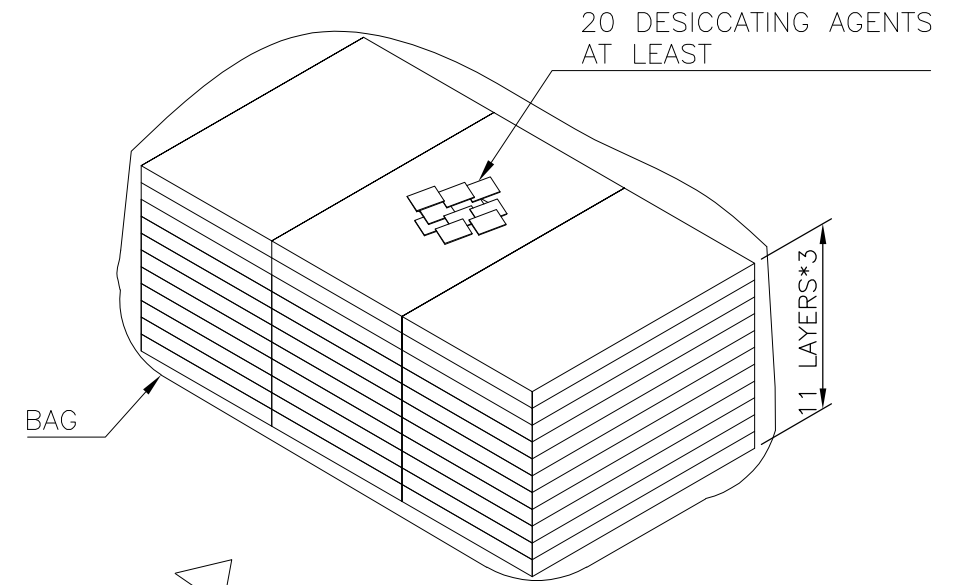
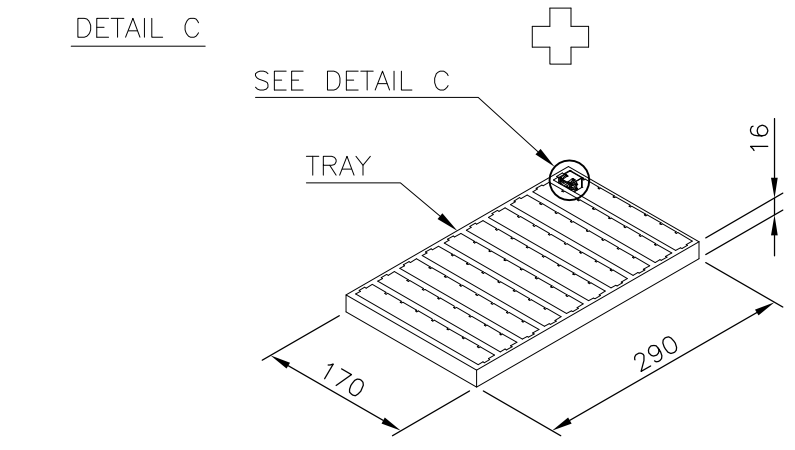
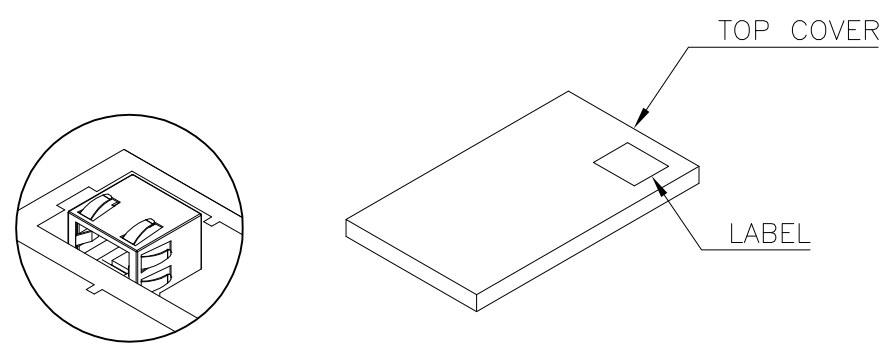
DWN	B. HSING	20JUL2009	TE Connectivity MODULAR JACK CONNECTOR RJ45, 8P8C, TAB DOWN SIDE ENTRY, DIP TYPE, H=11.3MM				
CHK	S. CHIEN	20JUL2009					
APVD	W. KODAMA	20JUL2009					
PRODUCT SPEC	108-57779						
APPLICATION SPEC	-		SIZE	CAGE CODE	DRAWING NO	RESTRICTED TO	
WEIGHT	SEE TABLE		A3	00779	C-2041035	-	
CUSTOMER DRAWING	SCALE		1:1	SHEET	1 OF 3	REV	B




THIS DRAWING IS UNPUBLISHED. RELEASED FOR PUBLICATION  
 © COPYRIGHT - By - ALL RIGHTS RESERVED.

REVISIONS					
P	LTR	DESCRIPTION	DATE	DWN	APVD
-	-	SEE SHEET 1	-	-	-

- NOTES:
- MATERIAL:
    - 1.1 TRAY: PET
    - 1.2 TOP TRAY: PET
    - 1.3 AIRTIGHT BAG: PET
    - 1.4 CARTON: CORRUGATED FIBER.
  - DIMENSION: SEE DRAWING
  - QUANTITY: SEE TABLE
  - WEIGHT: SEE TABLE



GROSS WEIGHT	NET WEIGHT	PCS/ TRAY	TRAY/ BOX	PCS/ BOX	PART NUMBER
10.2 Kg	7.1 Kg	33	90	2970	1-2041035-5
					1-2041035-4
13.8 Kg	10.7 Kg				2041035-5
					2041035-4
13.6 Kg	10.5 Kg	33	80	2640	<del>2041035-3</del>
					<del>2041035-2</del>
					<del>2041035-1</del>

THIS DRAWING IS A CONTROLLED DOCUMENT.		DWN B. HSING 20JUL2009	 TE Connectivity														
DIMENSIONS: mm		CHK S. CHIEN 20JUL2009															
TOLERANCES UNLESS OTHERWISE SPECIFIED:		APVD W. KODAMA 20JUL2009	NAME														
<table border="0"> <tr> <td>0 PLC</td> <td>± -</td> </tr> <tr> <td>1 PLC</td> <td>± 0.3</td> </tr> <tr> <td>2 PLC</td> <td>± 0.2</td> </tr> <tr> <td>3 PLC</td> <td>± 0.15</td> </tr> <tr> <td>4 PLC</td> <td>± -</td> </tr> <tr> <td>ANGLES</td> <td>± 3'</td> </tr> </table>		0 PLC	± -	1 PLC	± 0.3	2 PLC	± 0.2	3 PLC	± 0.15	4 PLC	± -	ANGLES	± 3'	PRODUCT SPEC 108-57779	MODULAR JACK CONNECTOR RJ45, 8P8C, TAB DOWN SIDE ENTRY, DIP TYPE, H=11.3MM		
0 PLC	± -																
1 PLC	± 0.3																
2 PLC	± 0.2																
3 PLC	± 0.15																
4 PLC	± -																
ANGLES	± 3'																
MATERIAL		APPLICATION SPEC	SIZE	CAGE CODE	DRAWING NO	RESTRICTED TO											
-		FINISH	WEIGHT	A3	00779	C-2041035											
			CUSTOMER DRAWING		SCALE	SHEET											
					1:1	3 OF 3											
						REV B											