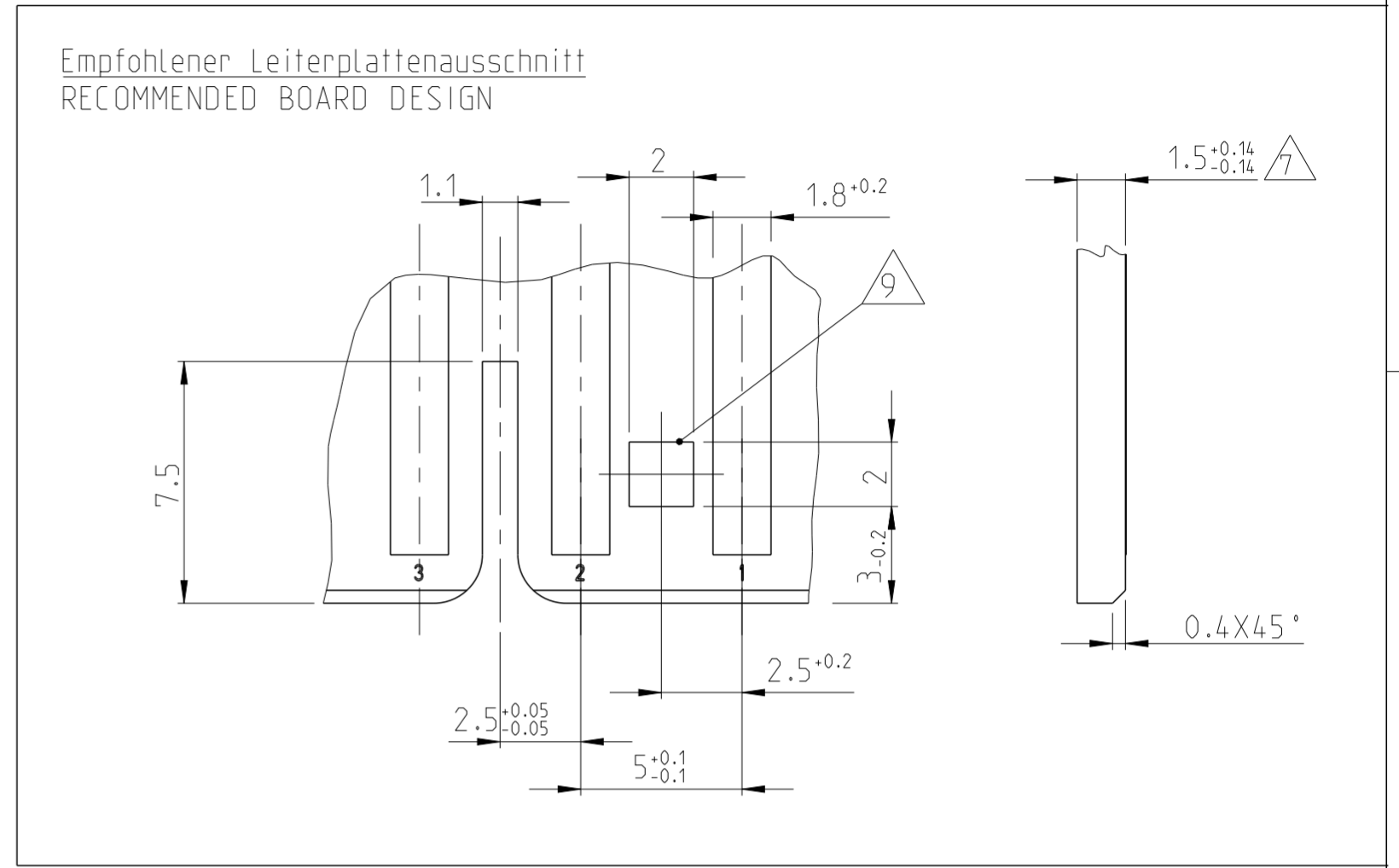
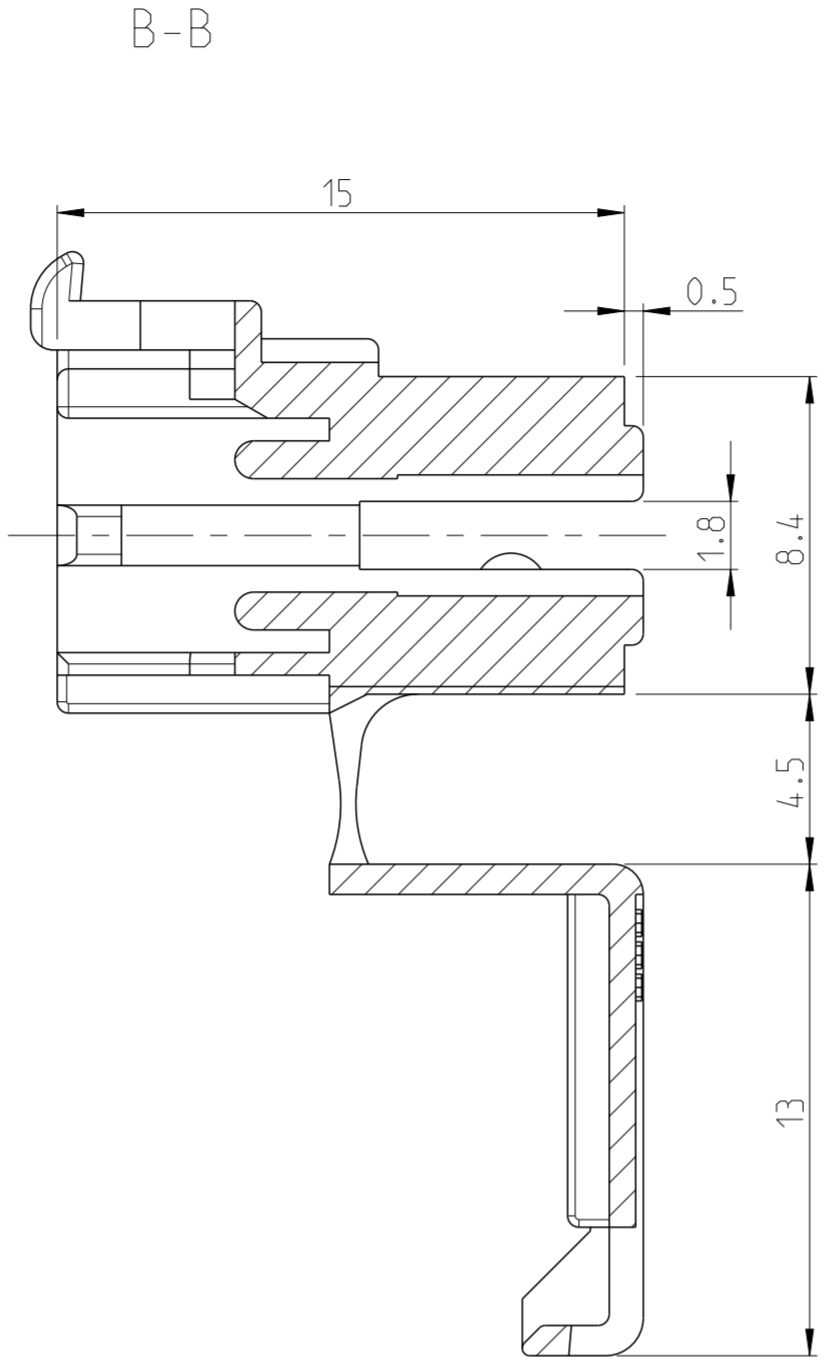
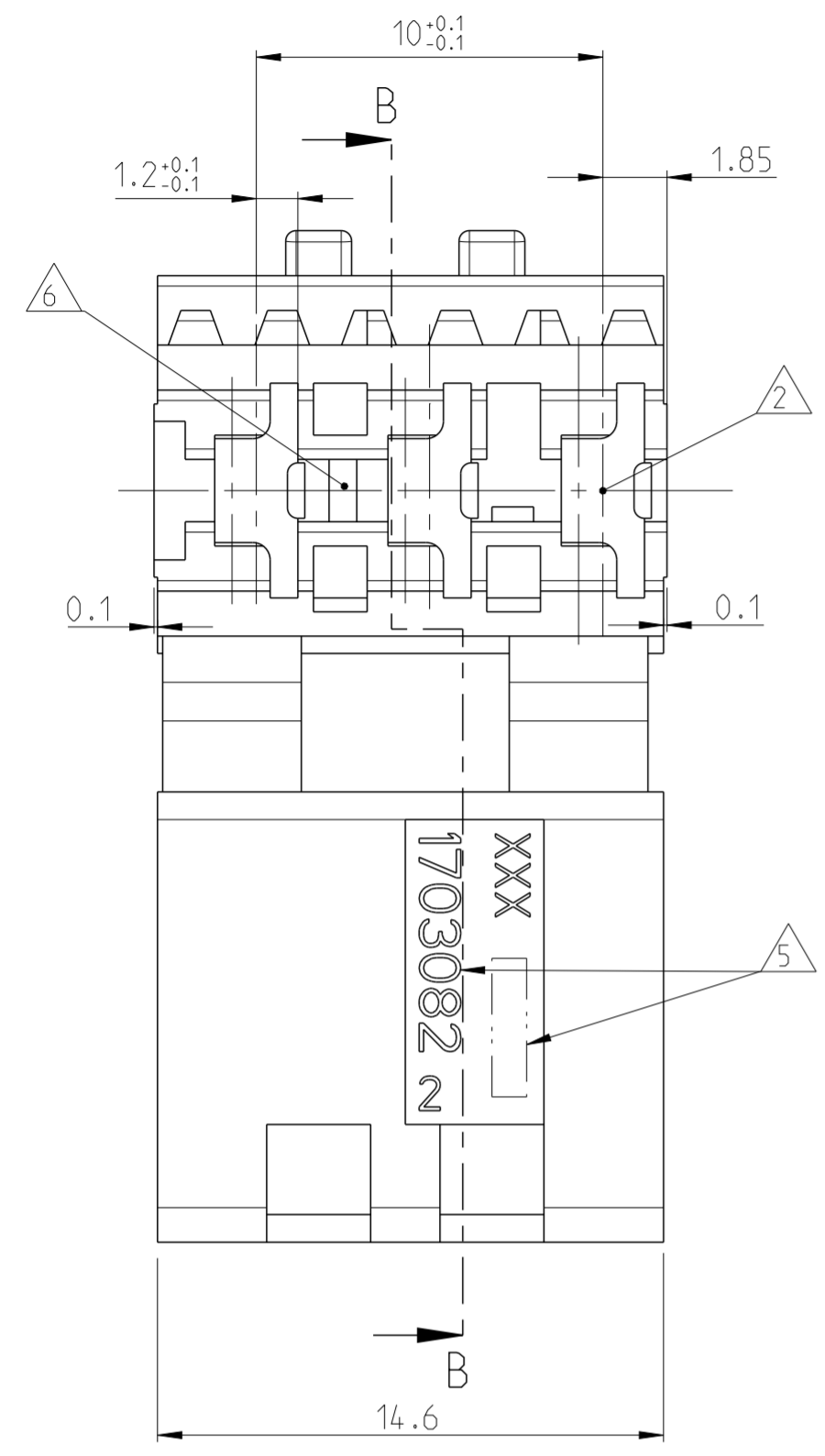
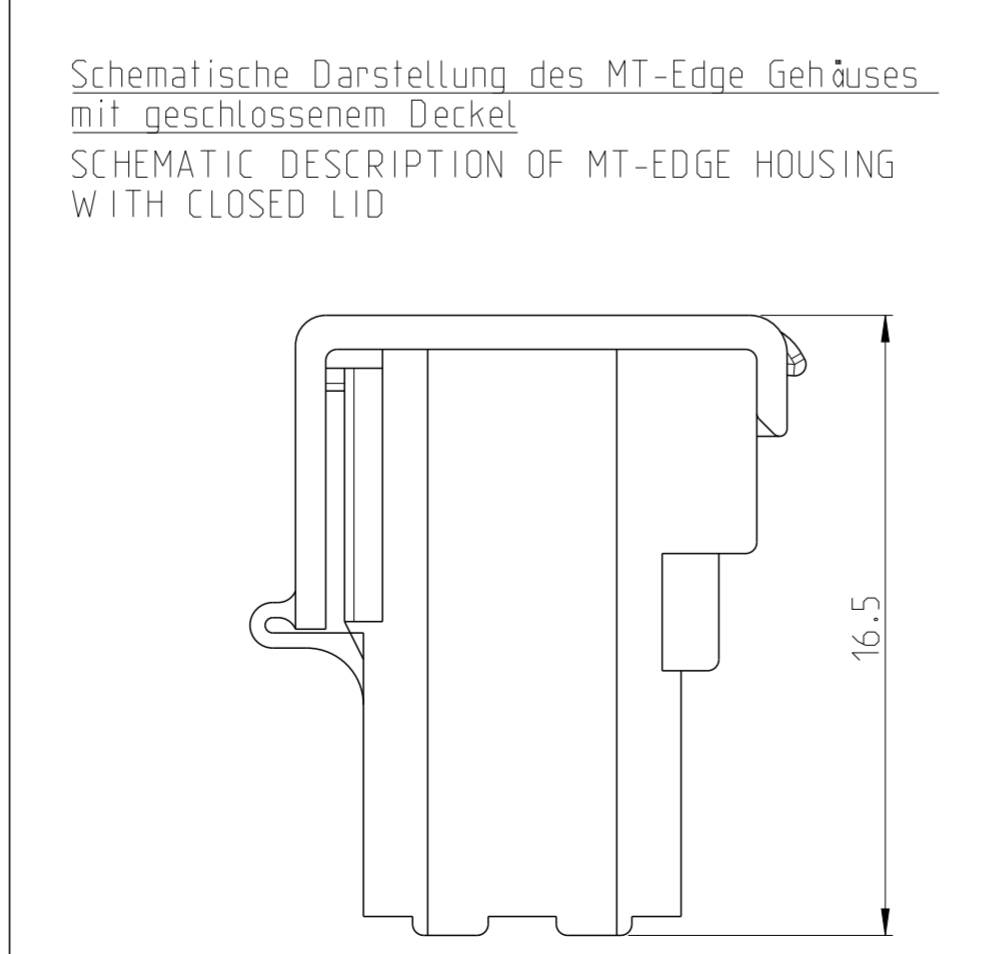
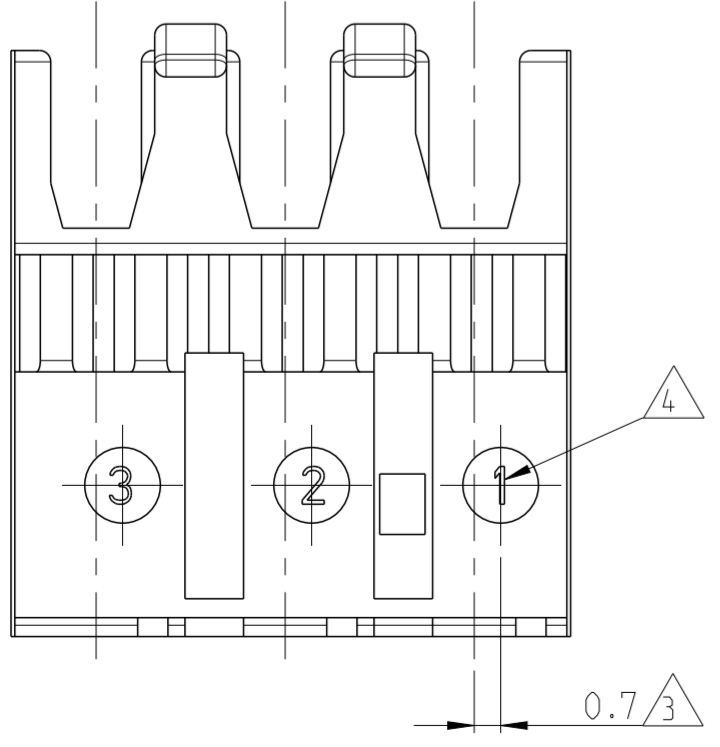


THIS DRAWING IS UNPUBLISHED. RELEASED FOR PUBLICATION 20
 © COPYRIGHT 20 BY - ALL RIGHTS RESERVED.

LOC	DIST	REVISIONS			
P	LTR	DESCRIPTION	DATE	DWN	APVD
-	-	C	INITIAL RELEASE	23JUL2013	MKD RRP



- Bemerkungen
NOTES
- 1 Massgebend ist der deutsche Text
ONLY THE GERMAN-LANGUAGE VERSION SHALL BE BINDING
 - 2 Lage des Kontaktpunktes auf der Leiterplatte; Abweichung ±0.4
POSITION OF CONTACT POINT ON BOARD; DEVIATION ±0.4
 - 3 Kontaktierung zur Drahtmitte um 0.7mm versetzt
CONTACTING 0.7mm DISPLACED TO WIRE CENTRELINE
 - 4 Kontaktkammer-Nr.
CONTACT CAVITY #
 - 5 Firmenlogo und Leergehäuse-Nr.
ARTWORK LOGO AND HOUSING # (NON LOADED)
 - 6 Kodersteg zwischen Kammer Nr. 2&3
KEYING RIB BETWEEN CAVITY Nr. 2&3
 - 7 Ausführung nach DIN 60249-2-4
BOARD DESIGN ACCORDING TO DIN 60249-2-4
 - 8 Crimp Kontakt-Nr.:
Material: CuSn4 926770-1, 926917-1
CRIMP CONTACT #: MATERIAL: CuSn4
 - 9 SQUARE HOLE 2X2 mm OPTIONAL LOCKING HOLE Ø2.5 mm



1-1703082-1	MT-EDGE HOUSING	NATURE
PART-NO.:	DESCRIPTION	COLOUR

THIS DRAWING IS A CONTROLLED DOCUMENT.		DWN Dhanesh 23JUL2013	NAME	
DIMENSIONS: mm		CHK Dhanesh 23JUL2013	3-WAYS MT-EDGE-HOUSING LOOSE PIECE VERSION	
TOLERANCES UNLESS OTHERWISE SPECIFIED:		APVD Rajendra 23JUL2013	SIZE	RESTRICTED TO
0 PLC ±	±0.2	PRODUCT SPEC	A2	-
1 PLC ±	±	APPLICATION SPEC	CAGE CODE	SCALE
2 PLC ±	±	114-18002	00779	5:1
3 PLC ±	±	WEIGHT	DRAWING NO	SHEET
4 PLC ±	±	-	1703082	1 OF 1
ANGLES ±	±	MATERIAL	Customer Drawing	REV
FINISH	±	PA6.6 / UL94V-2	SCALE	C

