

- NOTES:
1. TERMINAL AND NAIL COPLANARITY TO BE 0.1 MAX.
 2. WHEN DELIVERING, THE PUSH/PUSH MECHANISM IS IN THE STATE OF THE UNLOCK.(CARD DASHING OUT POSITION)
 3. CARD READ ONLY BY THE TIME THE CARD DETECTION SWITCH WORKS.
 4. OPENING AND CLOSE OF EACH SWITCH.

CARD INSERTION STATUS	WRITE PROTECT SWITCH		DETECT SWITCH
	WRITE PROTECT POSITION	WRITE ENABLE POSITION	
CARD UNINSERTION	OPEN	OPEN	OPEN
CARD HALF INSERTION	CLOSE	CLOSE	OPEN
CARD INSERTION	OPEN	CLOSE	CLOSE

5. MATERIAL AND FINISH AS BELOW

NO	NAME	QTY	MATERIAL
1	HOUSING	1	LCP,UL 94V-0;COLOR:BLACK
2	HEART CAM	1	LCP,UL 94V-0;COLOR:BLACK
3	TERMIANL	9	COPPER ALLOY;SELECTIVE Au PLATING
4	METAL SHELL	1	STAINLESS STEEL
5	PIN	1	STAINLESS STEEL
6	SPRING	1	STEEL WIRE
7	PROTECT TERMINAL	1	COPPER ALLOY, SELECTIVE Au PLATING
8	PROTECT AND DETECT TERMINAL	1	COPPER ALLOY, SELECTIVE Au PLATING
9	DETECT TERMINAL	1	COPPER ALLOY, SELECTIVE Au PLATING
10	NAIL	2	COPPER ALLOY, PURE TIN PLATING
11	CARD LOCK	1	STAINLESS STEEL

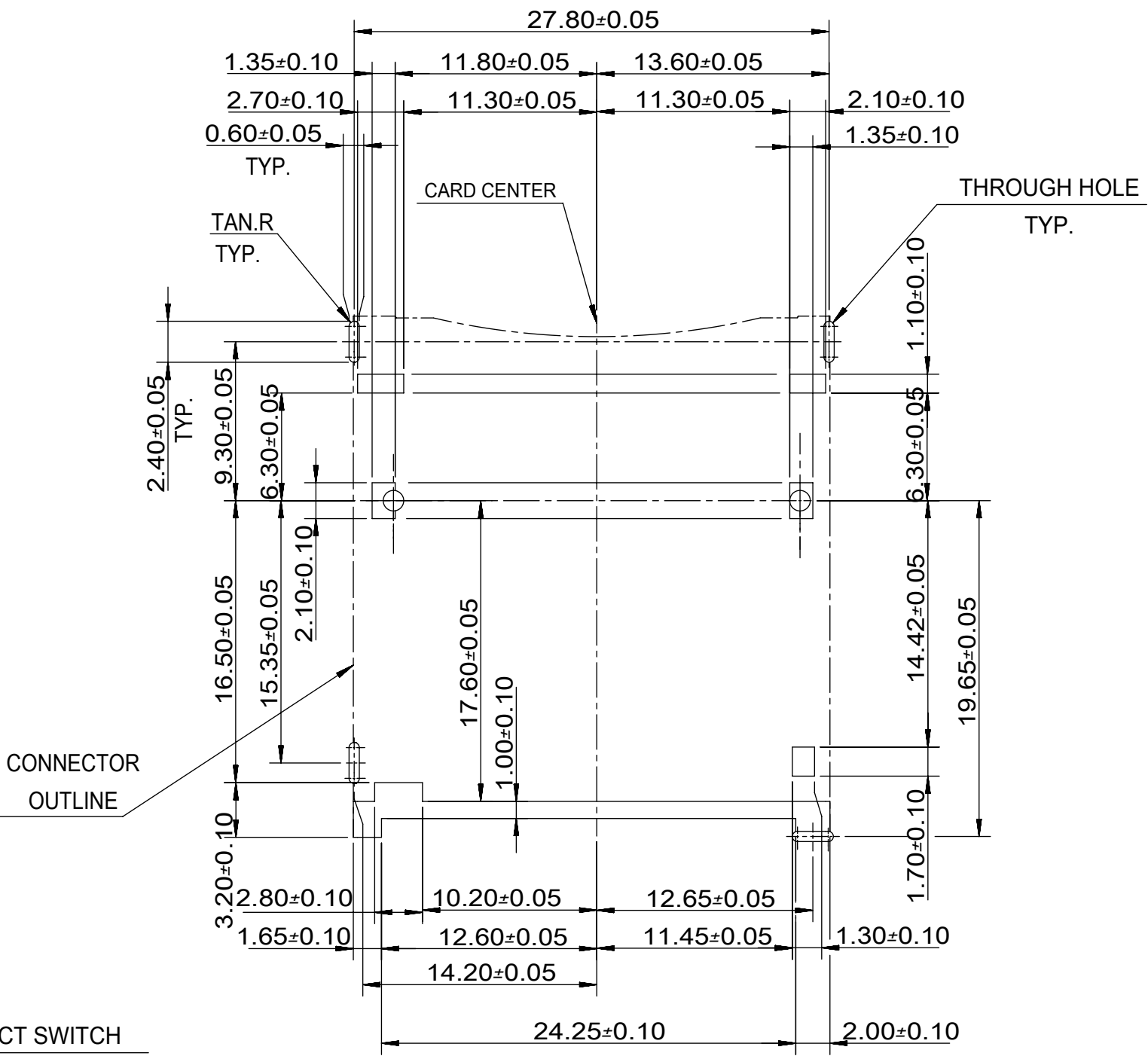
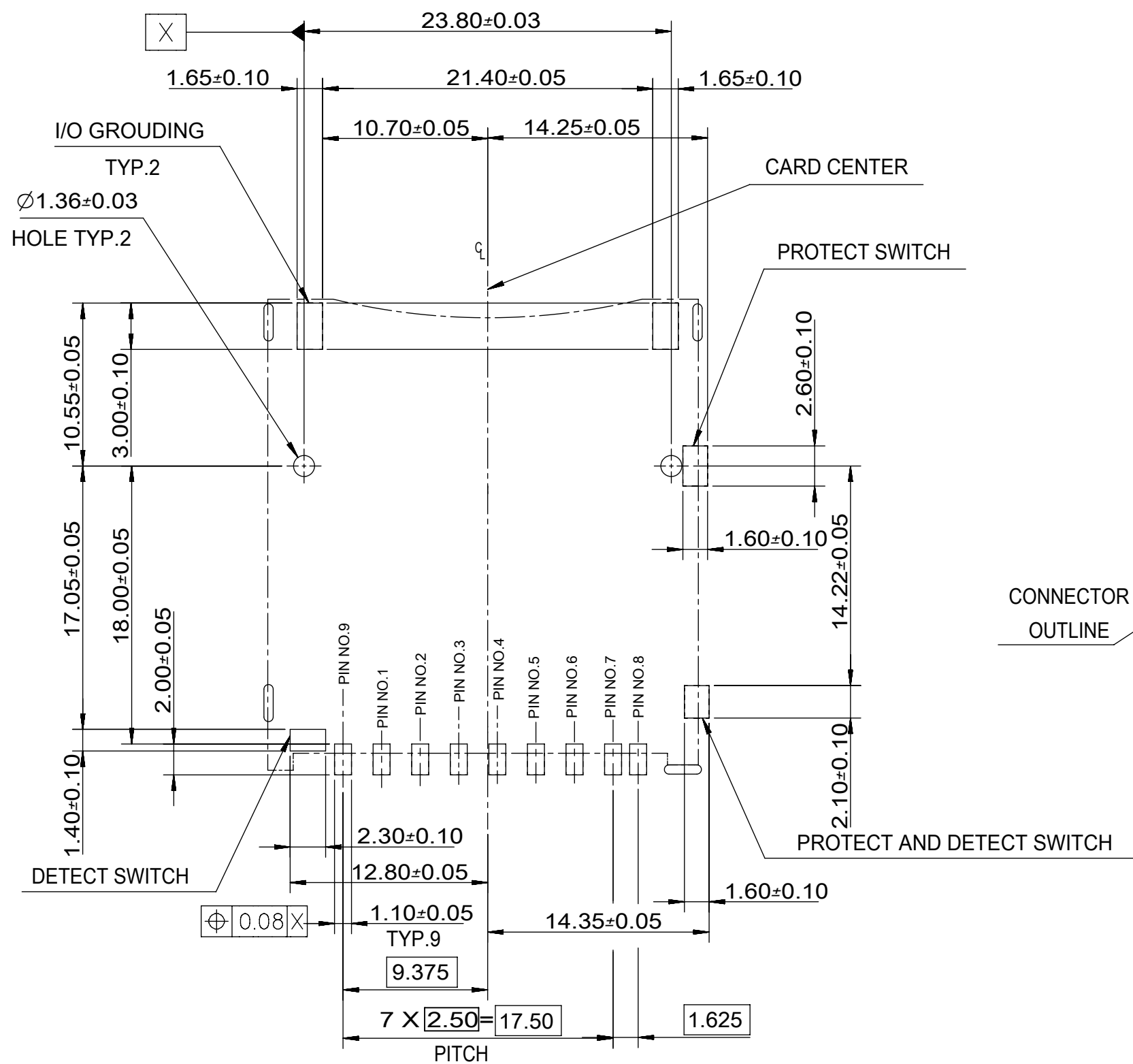
6. PRODUCT SPECIFICATION : PER PS-67840-001
7. I/O CONTACTS, BASE ON SD I/O ASSOC. REV. G.
8. THIS HAS A LOCK MECHANISM FOR SD CARD.IT DOES NOT WORK FOR THE MMC. CARD AT LOCK POSITION, IF PULLED OUT MANUALLY. THE NEXT CARD INSERTED WILL BE EJECTED.
9. RECOMMENED P.C.BOARD THICKNESS: 0.8±0.1
10. PACKAGING REFERS TO PK-67840-001

THIS DRAWING CONTAINS INFORMATION THAT IS PROPRIETARY TO MOLEX ELECTRONIC TECHNOLOGIES, LLC AND SHOULD NOT BE USED WITHOUT WRITTEN PERMISSION

DIMENSION UNITS: mm	SCALE: NTS	CURRENT REV DESC: REVISED				
GENERAL TOLERANCES (UNLESS SPECIFIED)		EC NO: 610059				
ANGULAR TOL ± 3.0 °	4 PLACES ±	DRWN: MGLEI	2019/01/02	PRODUCT CUSTOMER DRAWING		
3 PLACES ±	2 PLACES ± 0.25	CHK'D: XQZHANG	2019/01/23	DOCUMENT NUMBER		
1 PLACE ± 0.25	0 PLACES ±	APPR: XQZHANG	2019/01/23	SD-67840-007		
DRAFT WHERE APPLICABLE MUST REMAIN WITHIN DIMENSIONS		INITIAL REVISION:		DOC TYPE	DOC PART	REVISION
THIRD ANGLE PROJECTION		DRWN: QLZHANG	2005/01/27	PSD	001	C
DRAWING: A3-SIZE		APPR: YTYAP	2005/01/28	SHEET NUMBER		
SERIES: 67840		MATERIAL NUMBER: 678408001		GENERAL MARKET		
CUSTOMER: GENERAL MARKET		1 OF 3				

10 9 8 7 6 5 4 3 2 1

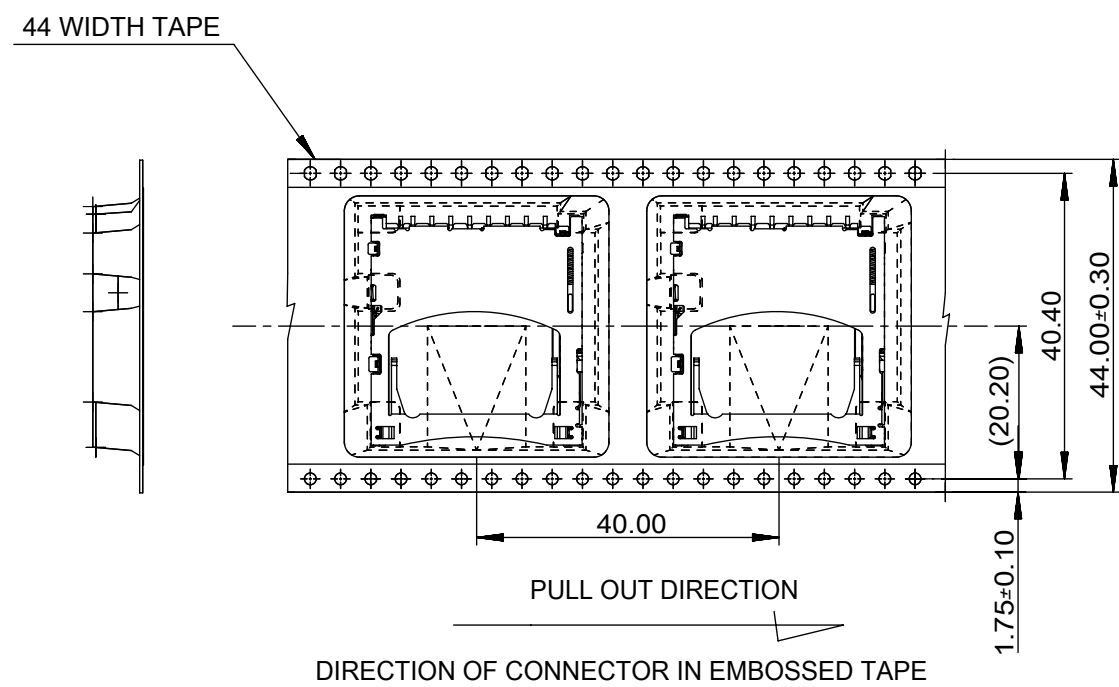
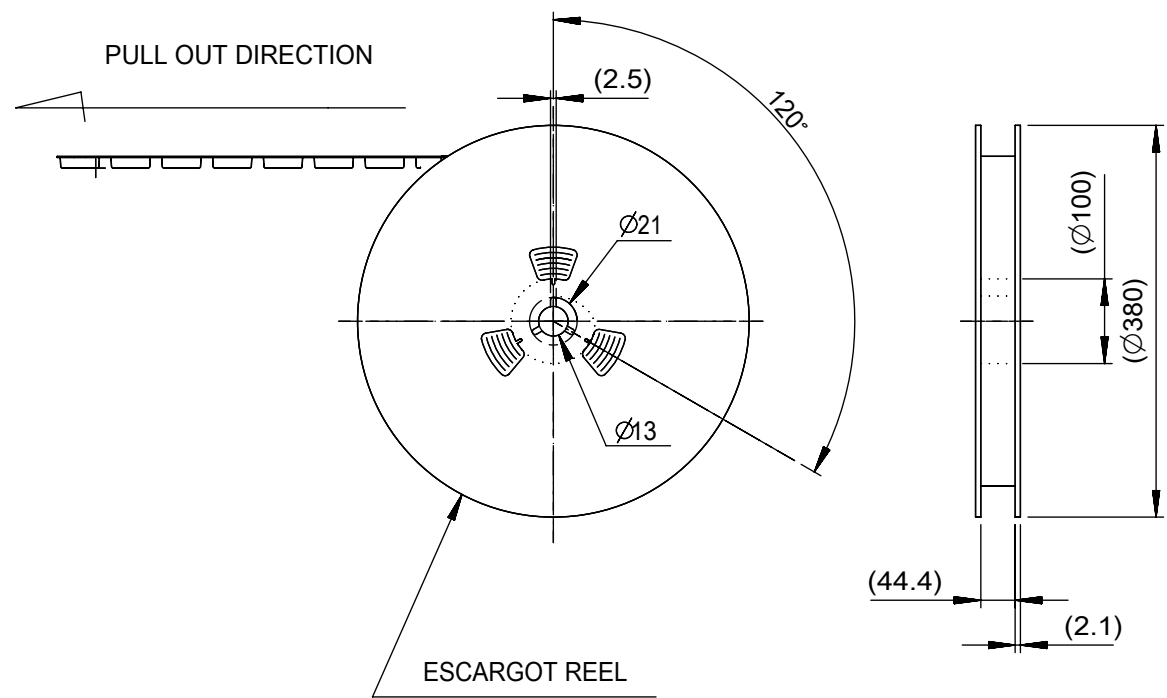
F E D C B A



DOCUMENT STATUS | P1 | RELEASE DATE | 2019/01/23 | 09:49:20

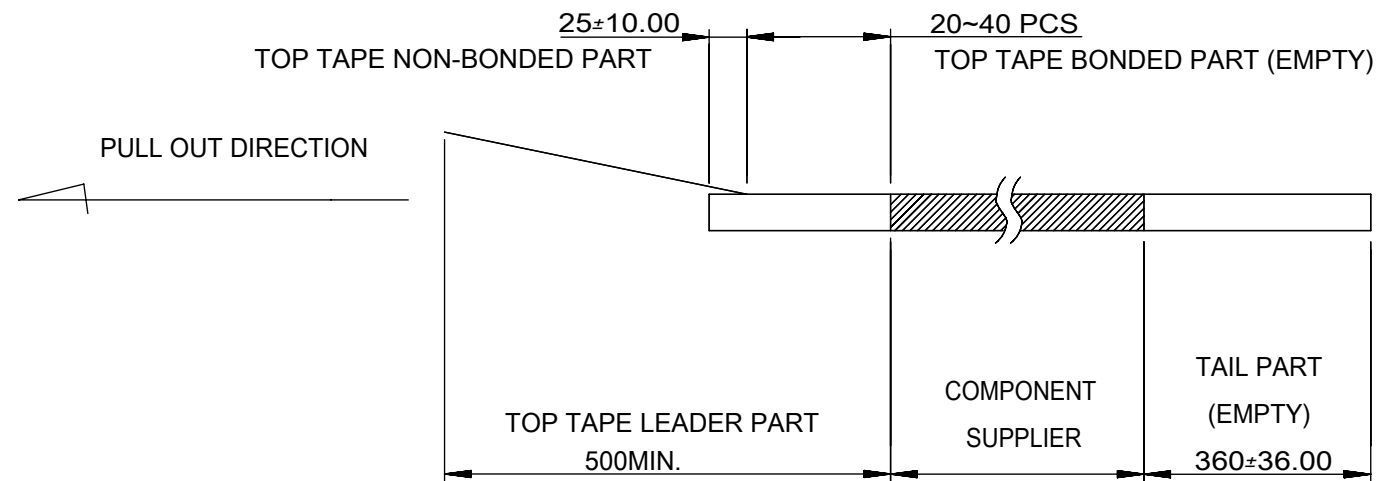
THIS DRAWING CONTAINS INFORMATION THAT IS PROPRIETARY TO MOLEX ELECTRONIC TECHNOLOGIES, LLC AND SHOULD NOT BE USED WITHOUT WRITTEN PERMISSION		CURRENT REV DESC: REVISED		SD MEMORY CARD CONN. ASS'Y(TOP MOUNT TYPE 1.8 MM STAND OFF, LEAD-FREE)			
DIMENSION UNITS	SCALE	EC NO: 610059					
mm	NTS	DRWN: MGLEI 2019/01/02		SD-67840-007	PSD	001	C
GENERAL TOLERANCES (UNLESS SPECIFIED)				PRODUCT CUSTOMER DRAWING			
ANGULAR TOL	$\pm 3.0^\circ$	CHK'D: XQZHANG 2019/01/23		INITIAL REVISION:			
4 PLACES	\pm	APPR: XQZHANG 2019/01/23		DRWN: QLZHANG 2005/01/27			
3 PLACES	\pm	INITIAL REVISION:		APPR: YTYAP 2005/01/28			
2 PLACES	± 0.25	MATERIAL NUMBER		CUSTOMER			
1 PLACE	± 0.25	A3-SIZE		GENERAL MARKET			
0 PLACES	\pm	SERIES		SHEET NUMBER			
DRAFT WHERE APPLICABLE MUST REMAIN WITHIN DIMENSIONS		THIRD ANGLE PROJECTION		67840		2 OF 3	

9 8 7 6 5 4 3 2 1

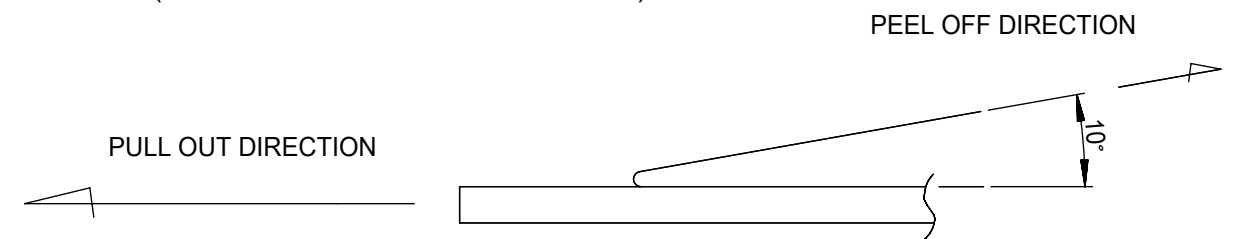


NOTES:

1. NUMBER OF CONNECTORS: 250 PCS/REEL
- 2.



3. PEEL-OFF FORCE OF TOP TAPE: 0.1~1.3N (10.2~130gf)
(PEELING DIRECTION AS SHOWN IN FOLLOWING FIGURE.)
(PEEL-OFF SPEED:300mm/min REF)



THIS DRAWING CONTAINS INFORMATION THAT IS PROPRIETARY TO MOLEX ELECTRONIC TECHNOLOGIES, LLC AND SHOULD NOT BE USED WITHOUT WRITTEN PERMISSION											
DIMENSION UNITS		SCALE		CURRENT REV DESC: REVISED						molex	
mm		NTS									
GENERAL TOLERANCES (UNLESS SPECIFIED)				EC NO: 610059						SD MEMORY CARD CONN.	
ANGULAR TOL ± 3.0°				DRWN: MGLEI 2019/01/02						ASS'Y(TOP MOUNT TYPE 1.8 MM STAND OFF, LEAD-FREE)	
4 PLACES ±				CHK'D: XQZHANG 2019/01/23							
3 PLACES ±				APPR: XQZHANG 2019/01/23						PRODUCT CUSTOMER DRAWING	
2 PLACES ± 0.25				INITIAL REVISION:						DOCUMENT NUMBER	
1 PLACE ± 0.25				DRWN: QLZHANG 2005/01/27						SD-67840-007	
0 PLACES ±				APPR: YTYAP 2005/01/28						DOC TYPE DOC PART REVISION	
DRAFT WHERE APPLICABLE MUST REMAIN WITHIN DIMENSIONS				THIRD ANGLE PROJECTION		DRAWING		SERIES		MATERIAL NUMBER	
				A3-SIZE		67840		678408001		CUSTOMER	
								GENERAL MARKET		SHEET NUMBER	
										3 OF 3	