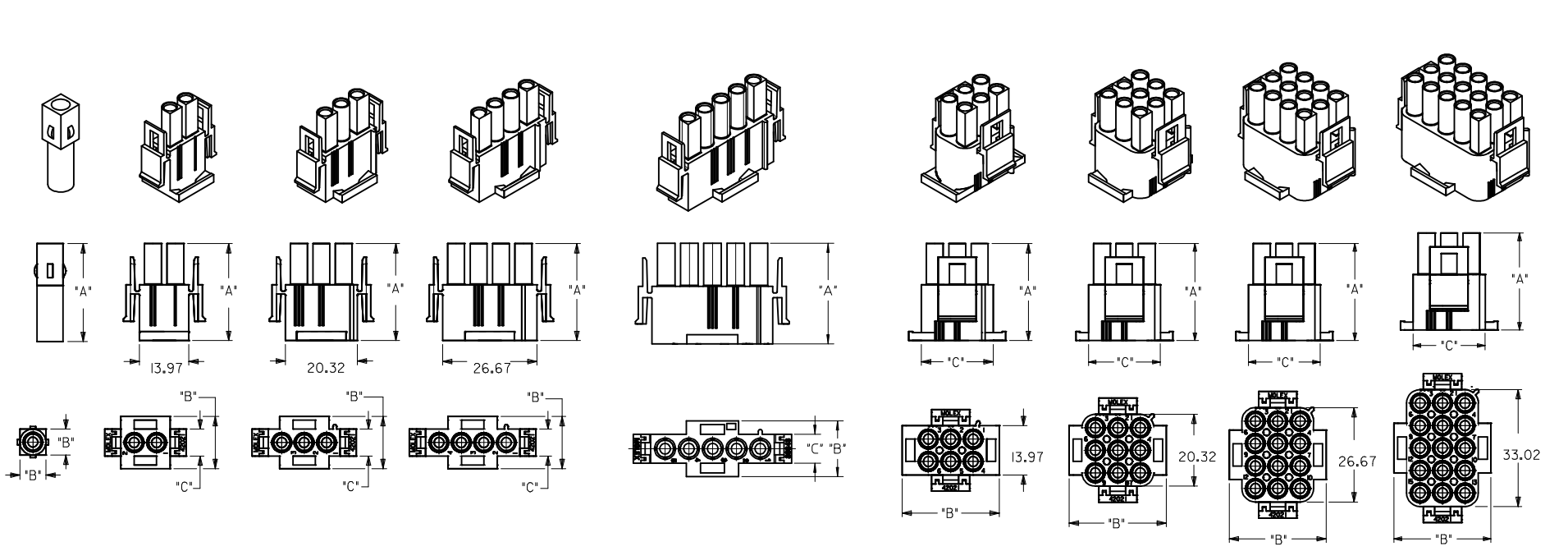


13 12 11 10 9 8 7 6 5 4 3 2 1




<b>REVIEWS UPDATED</b> EC NO: 12018-0003 DRWNGES: 2017/08/30 CHKD: SAGARAVENKA 2017/08/30 APPR: KPRASAD 2017/09/07	DESCRIPTION B	QUALITY SYMBOLS ∇=0 ∇=0 ∇=0		GENERAL TOLERANCES (UNLESS SPECIFIED) mm INCH 4 PLACES ± --- ± --- 3 PLACES ± --- ± --- 2 PLACES ± 0.25 ± --- 1 PLACE ± 0.36 ± --- 0 PLACE ± --- ± --- ANGULAR ± --- ° DRAFT WHERE APPLICABLE MUST REMAIN WITHIN DIMENSIONS		DIMENSION STYLE MM ONLY DRAWN BY: MRAMAKRI SHNA DATE: 2013/01/30 CHECKED BY: _____ DATE: _____ APPROVED BY: KPRASAD DATE: 2013/03/11		SCALE 1:1	DESIGN UNITS METRIC	THIRD ANGLE PROJECTION	HOUSING, PLUG 2.13 DIA. SERIES  <b>molex</b> SEE SHEET 2 SD-36643-009 SHEET NO. 1 OF 2
		MATERIAL NO.		DOCUMENT NO.		THIS DRAWING CONTAINS INFORMATION THAT IS PROPRIETARY TO MOLEX INCORPORATED AND SHOULD NOT BE USED WITHOUT WRITTEN PERMISSION					
		SIZE A2		SEE SHEET 2		SD-36643-009					
		INCORPORATED AND SHOULD NOT BE USED WITHOUT WRITTEN PERMISSION		SEE SHEET 2		SD-36643-009					

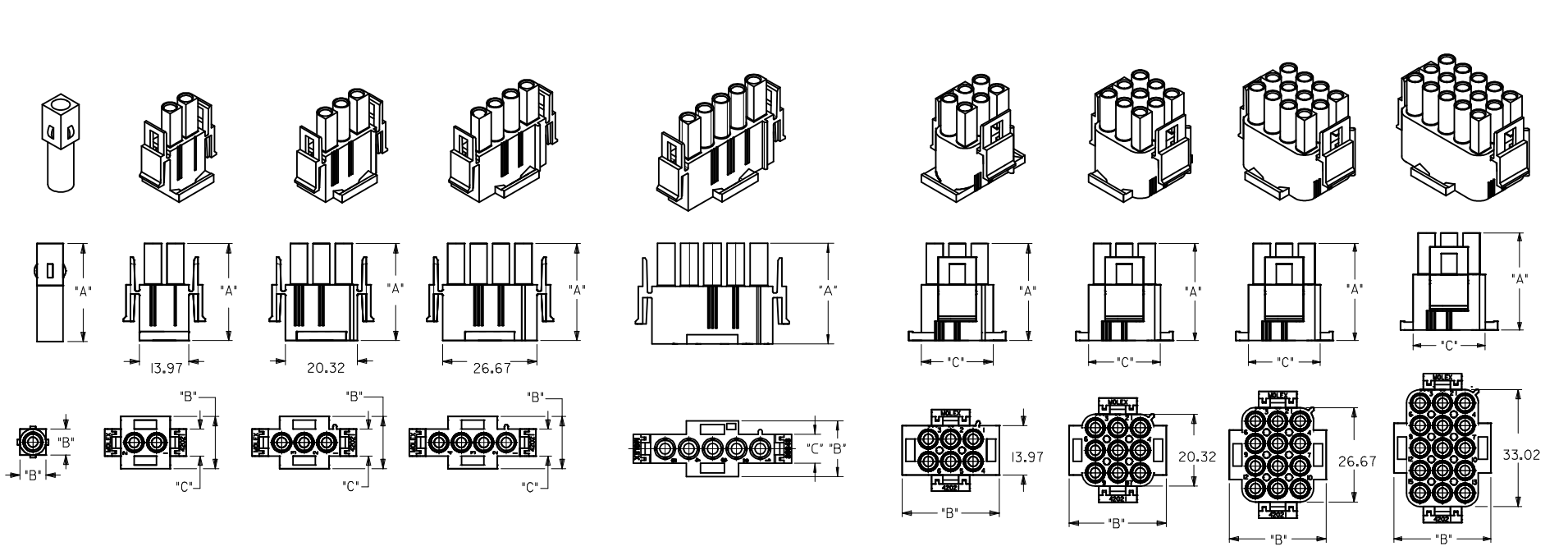
PART NO.	CIRCUIT SIZE	MATERIAL (SEE NOTE 1)	DIM. "A"	DIM. "B"	DIM. "C"
366430001	1	E	27.69	7.37	----
366430002	2	E	27.61	14.73	7.62
366430003	3	E	27.61	14.73	7.62
366430004	4	E	27.61	14.73	7.62
366430010	5	E	27.61	14.73	7.62
366430005	6	E	27.61	27.43	20.32
366430006	9	E	27.61	27.43	20.32
366430007	12	E	27.61	27.43	20.32
366430008	15	E	27.61	27.43	20.32

NOTES:

- MATERIAL CODE  
"E"= NYLON 94V-2  
COLOUR : NATURAL  
GLOW WIRE COMPATIBLE WITH CTI OF 325 VOLTS, ACCORDING TO IEC 60335-4TH EDITION
- UNLESS OTHERWISE INDICATED, DIMENSIONS ARE FOR REFERENCE ONLY
- PLUG HOUSINGS MATE WITH:
  - CAP HOUSINGS, 2.13 DIA.SERIES 36644(SD-36644-009)
  - HEADER ASSEMBLY, 2.13 DIA. SERIES 36757(SD-36757-0002)
- HOUSING DESIGNED TO BE USED WITH TERMINALS:
  - PINS, 2.13 DIA. SERIES 42023
  - SOCKETS, 2.13 DIA. SERIES 42024
- CONTACTS ARE ON 6.35 GRID CENTERLINE SPACING
- PRODUCT SPECIFICATION PS-42022-0001 APPLIES

SEE SHEET 1 IEC NO: I2018-0003 DRAWN:GES 2017/08/30 CHKD:SNAGARAVENKA2017/08/30 APPR:KPRASAD 2017/09/07	DESCRIPTION REV	QUALITY SYMBOLS	GENERAL TOLERANCES (UNLESS SPECIFIED)	DIMENSION STYLE <b>MM ONLY</b>	SCALE <b>1:1</b>	DESIGN UNITS <b>METRIC</b>	THIRD ANGLE PROJECTION																										
		$\nabla=0$ $\nabla=0$ $\nabla=0$	<table border="1"> <thead> <tr> <th></th> <th>mm</th> <th>INCH</th> </tr> </thead> <tbody> <tr> <td>4 PLACES</td> <td>± ---</td> <td>± ---</td> </tr> <tr> <td>3 PLACES</td> <td>± ---</td> <td>± ---</td> </tr> <tr> <td>2 PLACES</td> <td>± 0.25</td> <td>± ---</td> </tr> <tr> <td>1 PLACE</td> <td>± 0.36</td> <td>± ---</td> </tr> <tr> <td>0 PLACE</td> <td>± ---</td> <td>± ---</td> </tr> </tbody> </table>		mm	INCH	4 PLACES	± ---	± ---	3 PLACES	± ---	± ---	2 PLACES	± 0.25	± ---	1 PLACE	± 0.36	± ---	0 PLACE	± ---	± ---	<table border="1"> <thead> <tr> <th>DRAWN BY</th> <th>DATE</th> <th>TITLE</th> </tr> </thead> <tbody> <tr> <td>MRAMAKRISHNA</td> <td>2013/01/30</td> <td rowspan="2">HOUSING, PLUG 2.13 DIA. SERIES</td> </tr> <tr> <td>CHECKED BY</td> <td>DATE</td> </tr> </tbody> </table>	DRAWN BY	DATE	TITLE	MRAMAKRISHNA	2013/01/30	HOUSING, PLUG 2.13 DIA. SERIES	CHECKED BY	DATE			
			mm	INCH																													
		4 PLACES	± ---	± ---																													
3 PLACES	± ---	± ---																															
2 PLACES	± 0.25	± ---																															
1 PLACE	± 0.36	± ---																															
0 PLACE	± ---	± ---																															
DRAWN BY	DATE	TITLE																															
MRAMAKRISHNA	2013/01/30	HOUSING, PLUG 2.13 DIA. SERIES																															
CHECKED BY	DATE																																
<table border="1"> <thead> <tr> <th>APPROVED BY</th> <th>DATE</th> </tr> </thead> <tbody> <tr> <td>KPRASAD</td> <td>2013/03/11</td> </tr> </tbody> </table>	APPROVED BY	DATE	KPRASAD	2013/03/11	<table border="1"> <thead> <tr> <th>MATERIAL NO.</th> <th>DOCUMENT NO.</th> <th>SHEET NO.</th> </tr> </thead> <tbody> <tr> <td>SEE TABLE</td> <td>SD-36643-009</td> <td>2 OF 2</td> </tr> </tbody> </table>	MATERIAL NO.	DOCUMENT NO.	SHEET NO.	SEE TABLE	SD-36643-009	2 OF 2																						
APPROVED BY	DATE																																
KPRASAD	2013/03/11																																
MATERIAL NO.	DOCUMENT NO.	SHEET NO.																															
SEE TABLE	SD-36643-009	2 OF 2																															
DRAFT WHERE APPLICABLE MUST REMAIN WITHIN DIMENSIONS		ANGLULAR ± ---°	THIS DRAWING CONTAINS INFORMATION THAT IS PROPRIETARY TO MOLEX INCORPORATED AND SHOULD NOT BE USED WITHOUT WRITTEN PERMISSION																														

13 12 11 10 9 8 7 6 5 4 3 2 1



VIEWS UPDATED EC NO: 12018-0003 DRWNGES: 2017/08/30 CHKD: SAGARAVENKA 2017/08/30 APPR: KPRASAD 2017/09/07	DESCRIPTION B	QUALITY SYMBOLS ∇=0 ∇=0 ∇=0	GENERAL TOLERANCES (UNLESS SPECIFIED) <table border="1"> <thead> <tr> <th></th> <th>mm</th> <th>INCH</th> </tr> </thead> <tbody> <tr> <td>4 PLACES</td> <td>± ---</td> <td>± ---</td> </tr> <tr> <td>3 PLACES</td> <td>± ---</td> <td>± ---</td> </tr> <tr> <td>2 PLACES</td> <td>± 0.25</td> <td>± ---</td> </tr> <tr> <td>1 PLACE</td> <td>± 0.36</td> <td>± ---</td> </tr> <tr> <td>0 PLACE</td> <td>± ---</td> <td>± ---</td> </tr> </tbody> </table>		mm	INCH	4 PLACES	± ---	± ---	3 PLACES	± ---	± ---	2 PLACES	± 0.25	± ---	1 PLACE	± 0.36	± ---	0 PLACE	± ---	± ---	DIMENSION STYLE <b>MM ONLY</b>	SCALE <b>1:1</b>	DESIGN UNITS <b>METRIC</b>	THIRD ANGLE PROJECTION
			mm	INCH																					
		4 PLACES	± ---	± ---																					
		3 PLACES	± ---	± ---																					
2 PLACES	± 0.25	± ---																							
1 PLACE	± 0.36	± ---																							
0 PLACE	± ---	± ---																							
DRAFT WHERE APPLICABLE MUST REMAIN WITHIN DIMENSIONS			DRAWN BY: MRAMAKRI SHNA DATE: 2013/01/30 CHECKED BY: _____ DATE: _____	TITLE <b>HOUSING, PLUG 2.13 DIA. SERIES</b>																					
ANGULAR ± --- °			APPROVED BY: KPRASAD DATE: 2013/03/11																						
SEE SHEET 2			MATERIAL NO. _____ DOCUMENT NO. SD-36643-009	SHEET NO. 1 OF 2																					

PART NO.	CIRCUIT SIZE	MATERIAL (SEE NOTE 1)	DIM. "A"	DIM. "B"	DIM. "C"
366430001	1	E	27.69	7.37	----
366430002	2	E	27.61	14.73	7.62
366430003	3	E	27.61	14.73	7.62
366430004	4	E	27.61	14.73	7.62
366430010	5	E	27.61	14.73	7.62
366430005	6	E	27.61	27.43	20.32
366430006	9	E	27.61	27.43	20.32
366430007	12	E	27.61	27.43	20.32
366430008	15	E	27.61	27.43	20.32

NOTES:

- MATERIAL CODE  
"E"= NYLON 94V-2  
COLOUR : NATURAL  
GLOW WIRE COMPATIBLE WITH CTI OF 325 VOLTS, ACCORDING TO IEC 60335-4TH EDITION
- UNLESS OTHERWISE INDICATED, DIMENSIONS ARE FOR REFERENCE ONLY
- PLUG HOUSINGS MATE WITH:
  - CAP HOUSINGS, 2.13 DIA.SERIES 36644(SD-36644-009)
  - HEADER ASSEMBLY, 2.13 DIA. SERIES 36757(SD-36757-0002)
- HOUSING DESIGNED TO BE USED WITH TERMINALS:
  - PINS, 2.13 DIA. SERIES 42023
  - SOCKETS, 2.13 DIA. SERIES 42024
- CONTACTS ARE ON 6.35 GRID CENTERLINE SPACING
- PRODUCT SPECIFICATION PS-42022-0001 APPLIES

SEE SHEET 1 IEC NO: I2018-0003 DRAWN BY: DRW:IGES 2017/08/30 CHKD:SNAGARAVENKA2017/08/30 APPR:KPRASAD 2017/09/07	QUALITY SYMBOLS	GENERAL TOLERANCES (UNLESS SPECIFIED)	DIMENSION STYLE <b>MM ONLY</b>	SCALE <b>1:1</b>	DESIGN UNITS <b>METRIC</b>	THIRD ANGLE PROJECTION
	▽=0	4 PLACES ± --- ± ---	mm INCH	DRAWN BY DATE	TITLE	
	▽=0	3 PLACES ± --- ± ---		MRAMAKRISHNA 2013/01/30	HOUSING, PLUG 2.13 DIA. SERIES	
	▽=0	2 PLACES ± 0.25 ± ---		CHECKED BY DATE		
		1 PLACE ± 0.36 ± ---		APPROVED BY DATE		
		0 PLACE ± --- ± ---		KPRASAD 2013/03/11		
		ANGULAR ± ---°		MATERIAL NO.	DOCUMENT NO.	SHEET NO.
		DRAFT WHERE APPLICABLE MUST REMAIN WITHIN DIMENSIONS		SEE TABLE	SD-36643-009	2 OF 2
			SIZE A2	THIS DRAWING CONTAINS INFORMATION THAT IS PROPRIETARY TO MOLEX INCORPORATED AND SHOULD NOT BE USED WITHOUT WRITTEN PERMISSION		