

PART NAME: BALL KNOB SCALE: 1:1 DATE: 6/8/46 DR. BY JVA

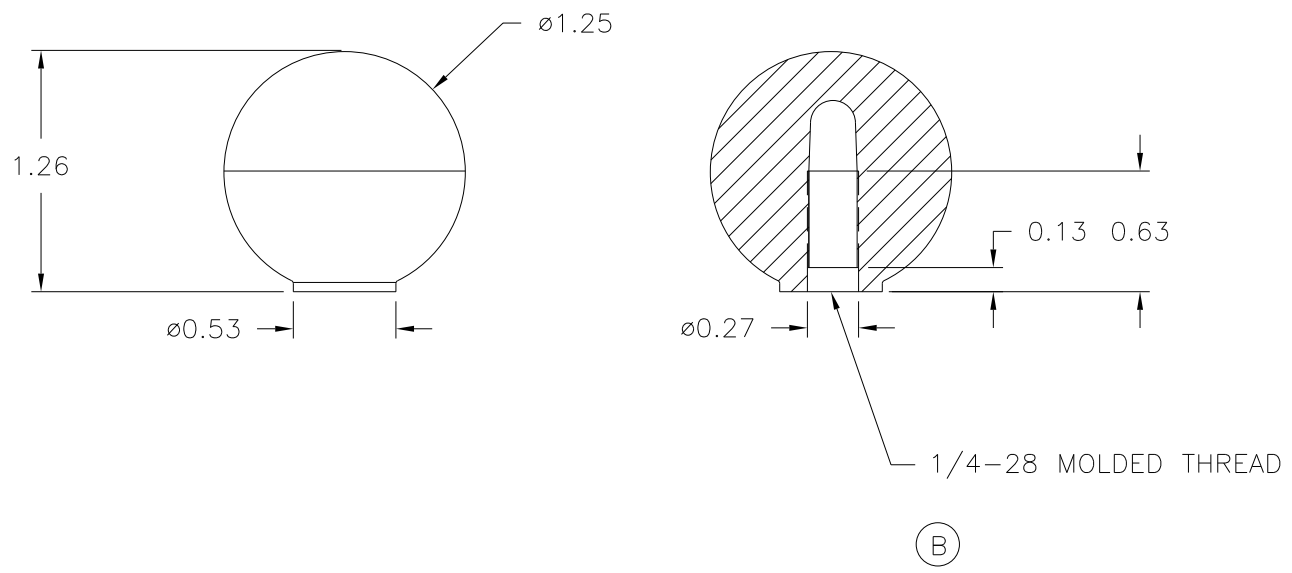
THIS DRAWING IS THE PROPERTY OF DAVIES MOLDING COMPANY, IS SUBMITTED SOLELY AS A DESIGN OR ENGINEERING PROJECT. WE ACCEPT NO RESPONSIBILITY WHATSOEVER FOR THE PRACTICAL APPLICATION OF THE PIECES MADE TO THIS DESIGN.



DESIGNERS & MANUFACTURERS OF KNOBS, HANDLES, CASES & CUSTOM PLASTIC COMPONENTS

P/N	0025-A
M NO.	25
PINS	25-X&N
SHIMS	1

(B) (A)



MATERIAL: 04311 PHENOLIC (B41)
COLOR: BLACK

TOLERANCES: UNLESS OTHERWISE SPECIFIED	DO NOT SCALE DRAWING	B	REMOVED CROPP ADDED MOLDED THREAD	RF	08/22/08
DECIMALS: X.XXX ± .005 X.XX ± .015	MM: X.XX ± 0.15MM X.X ± 0.4MM	A	CROPP-ROTARY SET-UP ADDED	HD	11/21/97
FRACTIONS ± 1/64	ANG. ± 1°	-	CAD/REDRAWN	HD	6/12/92
CHANGES					