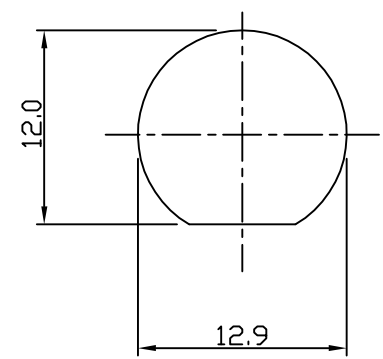
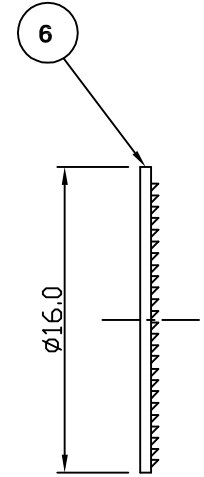
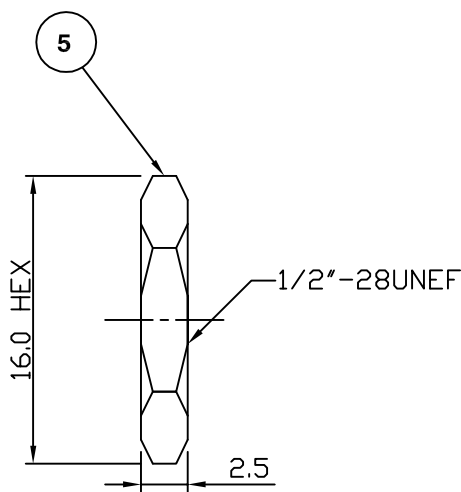
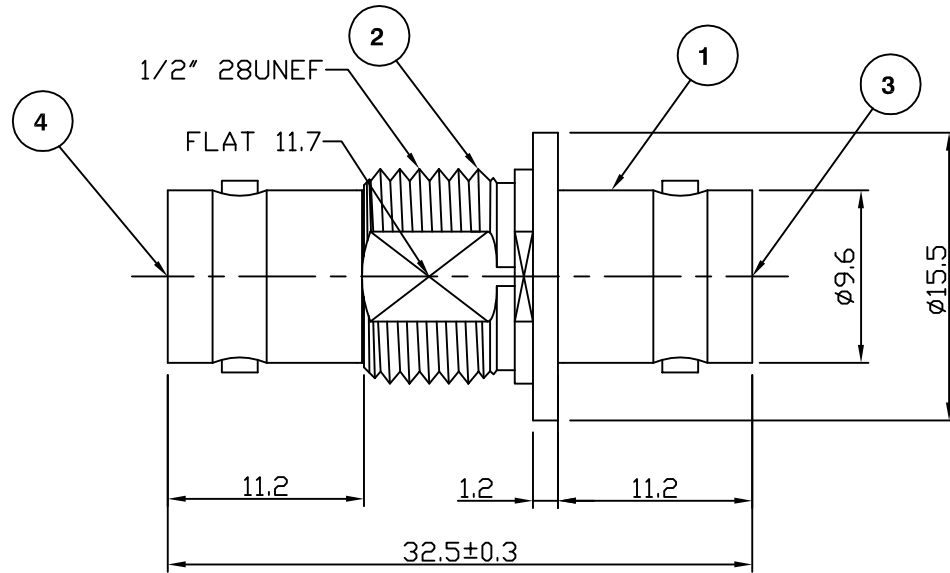


RoHS COMPLIANT



Panel Cutout

Electrical Characteristics

Nominal Impedance:	75 ohms
Frequency Range:	DC to 1 GHz
Operating Voltage (rms):	500 V maximum at sea level
Dielectric Withstand Voltage (rms):	1500 V maximum at sea level
Contact Resistance:	1.5 milliohms maximum
Insulation Resistance:	5000 megohms minimum

Mechanical Characteristics

Mating Cycles:	500 cycles minimum
Interface Dimensions:	Conform to MIL-C-39012

Environmental Characteristics

Temperature Range:	-55 °C to +85 °C
--------------------	------------------

PART	DESCRIPTION
1	Body Brass, nickel plated
2	Insulation ABS
3	Dielectric Delrin
4	Contact PB, gold plated
5	Nut Brass, nickel plated
6	Washer Steel, nickel plated

Added panel cutout details	JW	3	04 Apr 06
CAD Issue	SN	2	12 Jul 01
First Issue	DW	1	23 May 96
DESCRIPTION OF REVISION	APPVD	ISS	DATE



Cinch Connectivity Solutions
7-13 Russel Way,
Widford Industrial Estate,
Chelmsford, Essex,
CM1 3AA, UK.
Tel: +44 (0) 1245 359515
Fax: +44 (0) 1245 358938

SCALE: Not To Scale	DRAWN BY:	J Williams
DIMENSIONS: mm	CHECKED BY:	M Terry
TOLERANCES: ± 0.2mm unless otherwise stated	APPROVED BY:	A Tusi
	DATE:	04 Apr 06

TITLE:
**Isolated BNC Bulkhead
Jack to BNC Jack**

PART NUMBER:
VBI100-1-75
PAGE: 1 of 1