

Customer Information Sheet

DRAWING No.: S1411-XXR

SHEET 2 OF 2

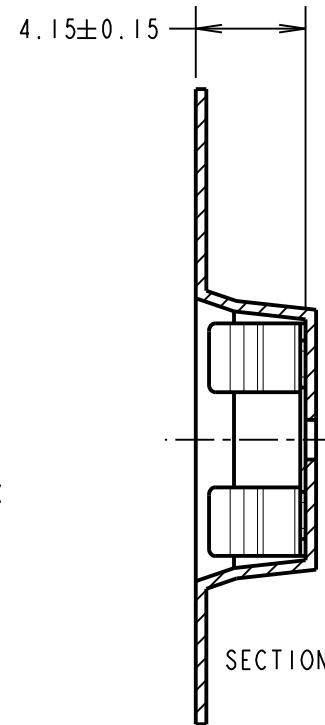
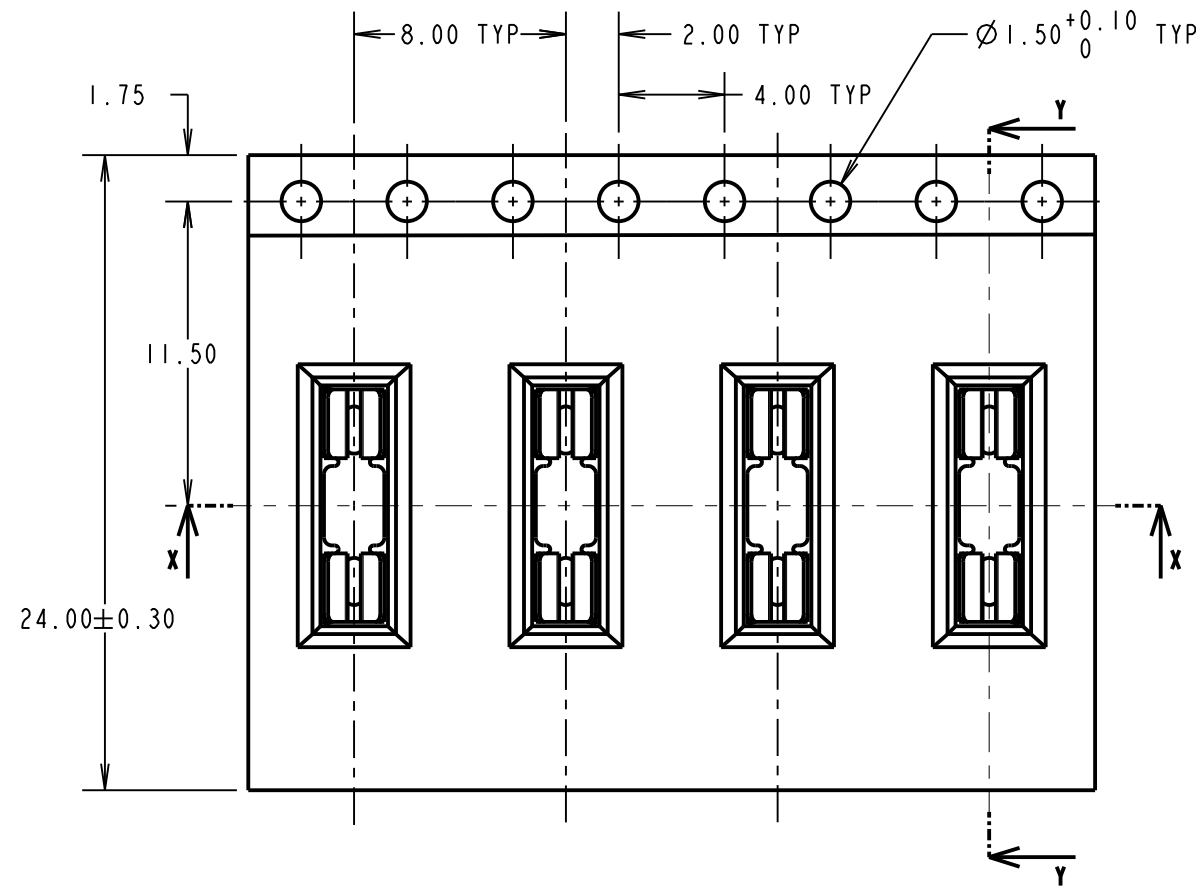
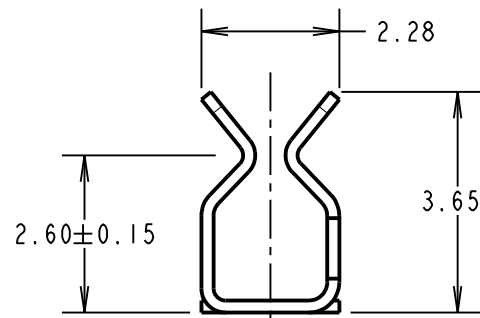
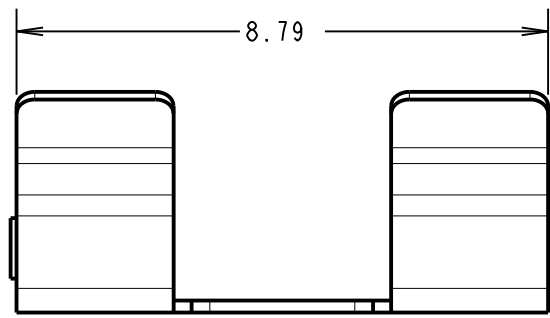
IF IN DOUBT - ASK

©

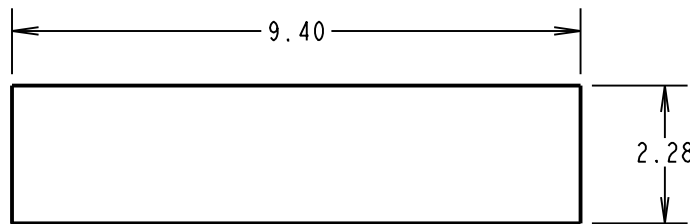
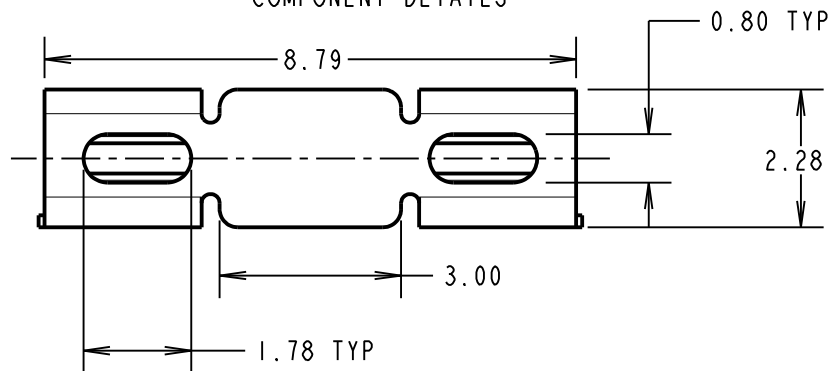
NOT TO SCALE

THIRD ANGLE PROJECTION

ALL DIMENSIONS IN mm

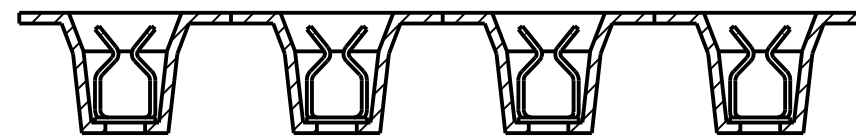
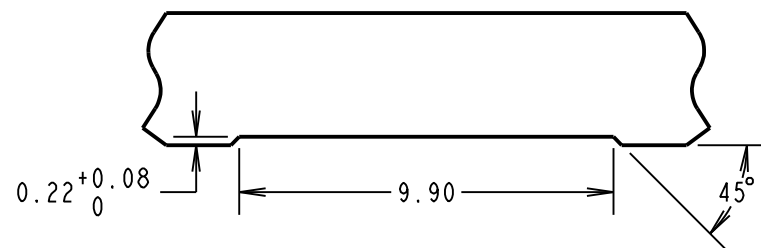


COMPONENT DETAILS



RECOMMENDED PAD LAYOUT

RECOMMENDED SHIELD CAN CUT OUT



SECTION X-X

ORDER CODE:

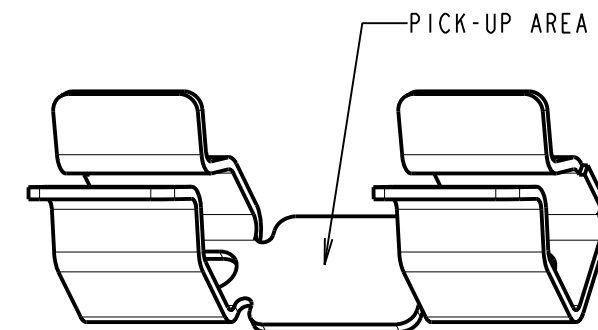
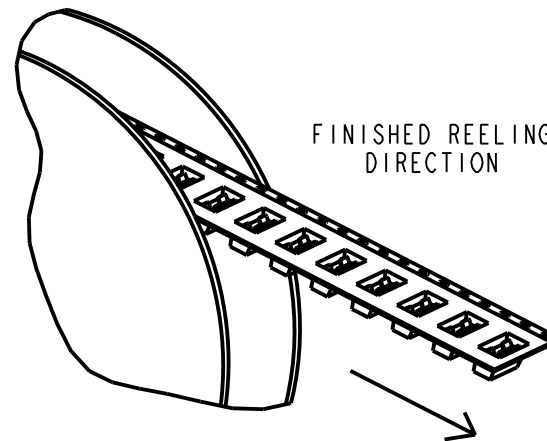
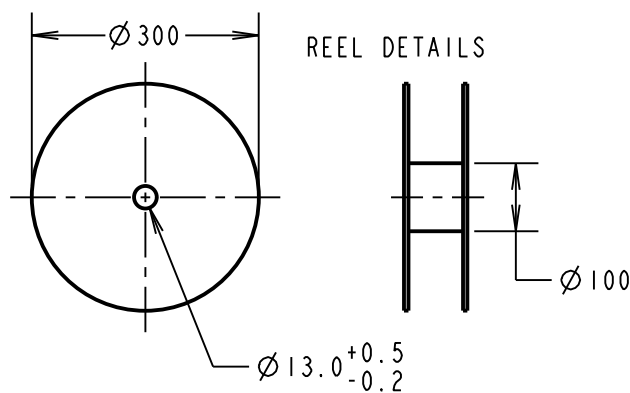
S1411-XXR

FINISH:
~~06 = TIN/LEAD~~
 46 = TIN

OBSELETE

COMPONENT SPECIFICATION:
 MATERIAL = BERYLLIUM COPPER
 FINISH:
~~06 = 3μ 90/10 TIN/LEAD~~
 46 = 3μ 100% TIN

PERFORMANCE SPECIFICATIONS:
 INSERTION FORCE (AFTER CONDITIONING):
 0.7mm SHIELD = 4.5N MAX
 1.0mm SHIELD = 7N MAX
 WITHDRAWAL FORCE:
 0.7mm SHIELD = 0.8N MIN
 1.0mm SHIELD = 1.5N MIN
 DURABILITY = 20 INSERTIONS MINIMUM
 CONTACT RESISTANCE = 20mΩ MAX
 SHIELD THICKNESS = 0.7-1.0mm



SB	5	18.08.16	13115
NAME	ISS.	DATE	C/NOTE
APPROVED: S.BENNETT			
CHECKED: M.PERREN			
DRAWN: M. PLESTED			
CUSTOMER REF.:			
ASSEMBLY DRG:			

NOTES:

1. QUANTITY PER REEL = 1,900.
2. THIS PRODUCT IS TAPED AND REELED IN ACCORDANCE WITH EIA-481 (ELECTRONIC INDUSTRIES ASSOCIATION).
3. ALL SPECIFICATIONS SUBJECT TO VERIFICATION.

HARWIN

www.harwin.com
 technical@harwin.com

THIS DRAWING AND ANY INFORMATION OR DESCRIPTIVE MATTER SET OUT HEREON ARE CONFIDENTIAL AND COPYRIGHT PROPERTY OF THE HARWIN GROUP AND MUST NOT BE DISCLOSED, LOANED, COPIED OR USED FOR MANUFACTURING, TENDERING OR FOR ANY OTHER PURPOSE WITHOUT THEIR WRITTEN PERMISSION.

TOLERANCES

X. = ±1mm
 X.X = ±0.50mm
 X.XX = ±0.10mm
 X.XXX = ±0.01mm
 ANGLES = ±5°
 UNLESS STATED

MATERIAL:

SEE ABOVE

FINISH:

SEE ABOVE

S/AREA:

mm²

TITLE:

SMT RFI SHIELD CLIP
 IN TAPE AND REEL

DRAWING NUMBER:

S1411-XXR

SHT
 2 OF 2