



## PFC-2320-3

### Magnet Float

RoHS

REACH

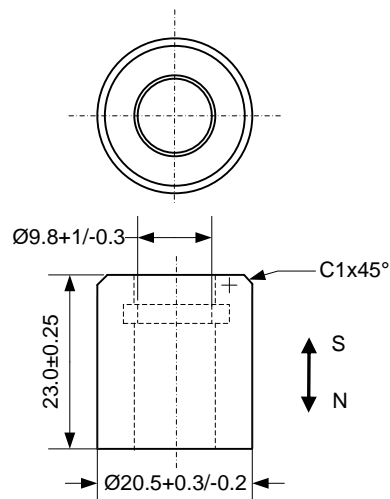
#### Data

|                        |             |
|------------------------|-------------|
| Float housing          | PP Foam     |
| Magnet                 | Ferrite Y10 |
| Magnetical Orientation | axially     |

|                              |                         |     |
|------------------------------|-------------------------|-----|
| Remanence Br                 | mT                      | 215 |
| Coercivity HcB               | kA/m                    | 143 |
| Coercivity HcJ               | kA/m                    | 203 |
| Energy Product (BH) max.     | kJ/m <sup>3</sup>       | 8   |
| Magnetic Moment M (in total) | x10 <sup>-6</sup> Vs cm | 3.7 |
| Operating Temperature max.   | °C                      | 80  |

Nominal values unless otherwise specified.

#### Dimensions in mm



Customized types, other magnet materials and high temperature grades available

#### Mechanical Characteristics

@ 25°C

|                         |                   |         |
|-------------------------|-------------------|---------|
| Density of float typ. * | g/cm <sup>3</sup> | 0.7     |
| Weight per piece        | g                 | 4.4±0.3 |

\* In delivery condition

- Please see page 30 of our main catalogue or <http://pic-gmbh.com/en/tech-center/housing-materials/application-notes/> for the chemical resistance of the float material. The density of the applicable medium has to be 20% above the density of the used float material to ensure proper and secure function.