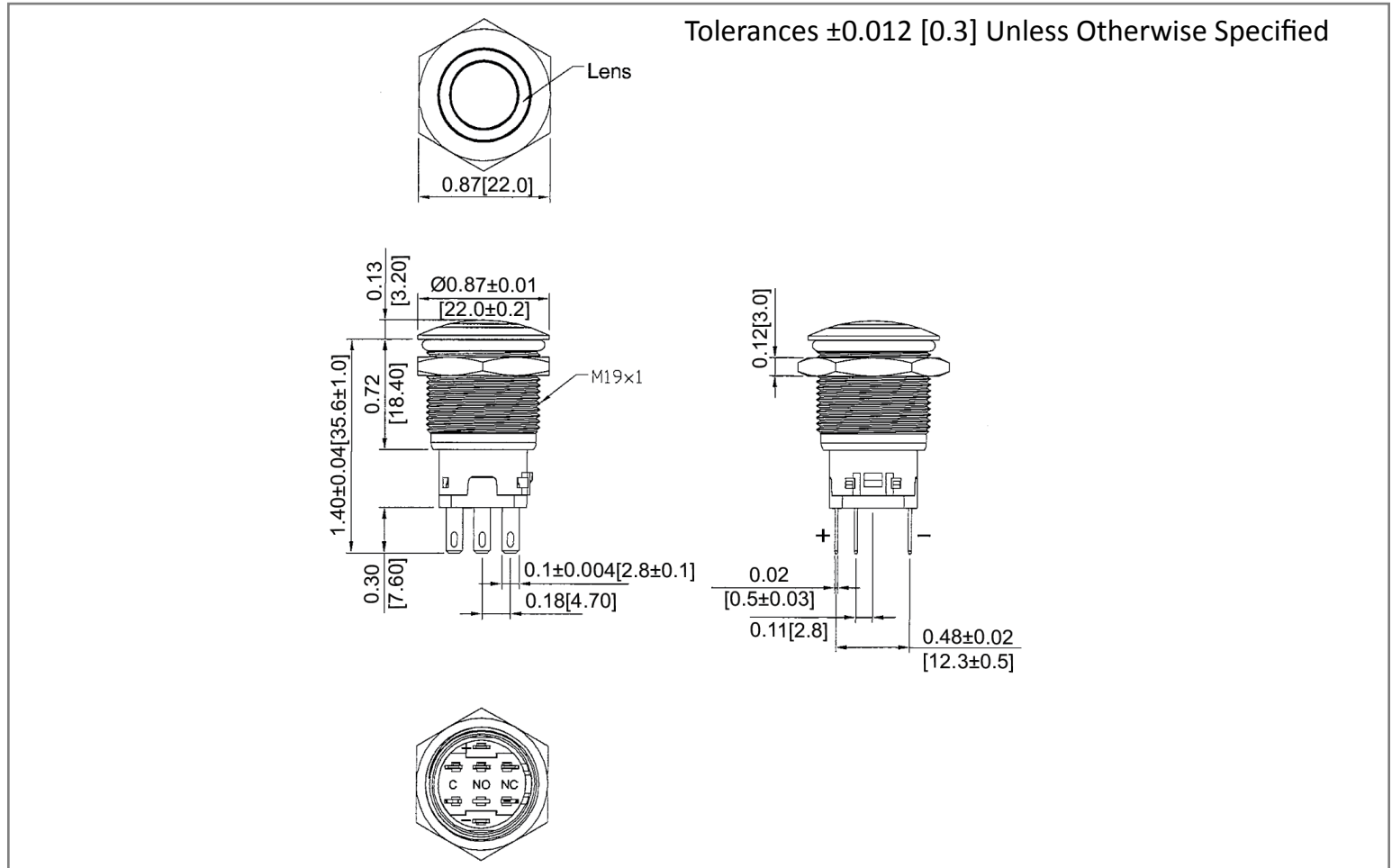
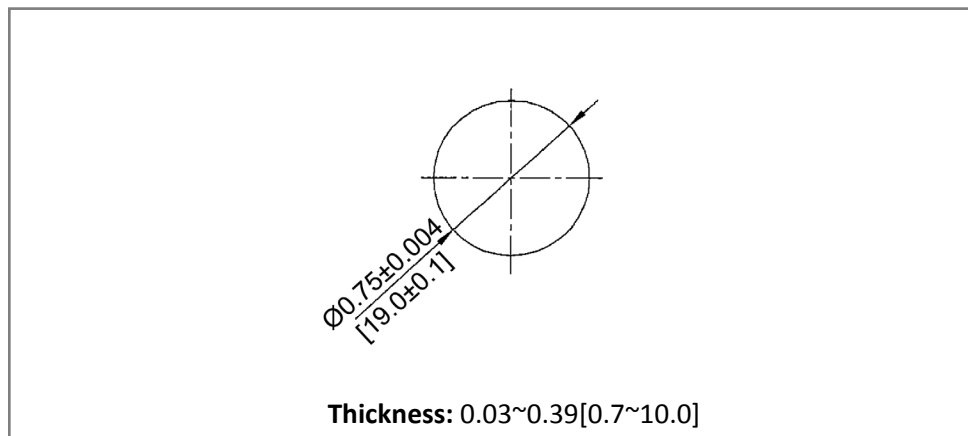


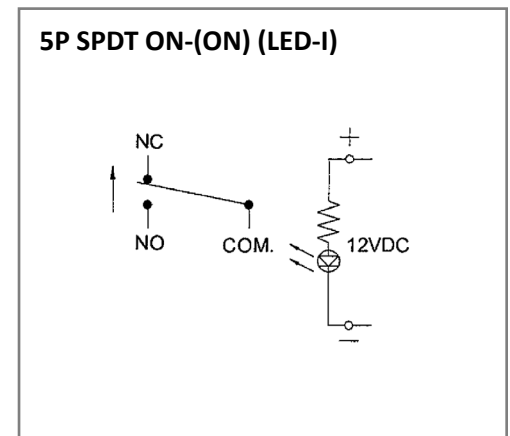
Mechanical Dimensions: Inches [mm]



Mounting Hole



Circuit Diagram



Electrical Specifications

| | |
|-----------------------|----------------------|
| Rating | 10A 14V DC |
| Contact Resistance | 50m ohm Max. |
| Insulation Resistance | DC 500V 100M ohm Min |
| Dielectric Strength | AC 500V 1 minute |
| Operation Temperature | -20°C ~ 70°C |

Material Specifications

| | |
|------------------------|-------------------------|
| Frame/Actuator/Hex Nut | SUS304 |
| Lens | PC, Blue clear |
| LED | Blue, Independent |
| Housing | Black, PA#66 |
| Bottom (Waterproof) | Black, PBT+15%GF (IP67) |

Rev **Date of issue** **Revision Notes**

Designed **Approved**

| | | | | |
|---|------------|-----------------|----|----|
| A | 05-18-2021 | Initial Drawing | RC | OF |
|---|------------|-----------------|----|----|