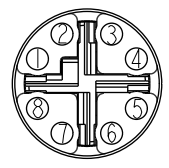


THIS DOCUMENT IS SUBJECT TO CHANGE WITHOUT NOTICE. IT IS CONFIDENTIAL AND A PROPERTY OF AMPHENOL LTW. DISCLOSURE TO THIRD PARTY HAS TO BE AUTHORIZED BY AMPHENOL LTW.

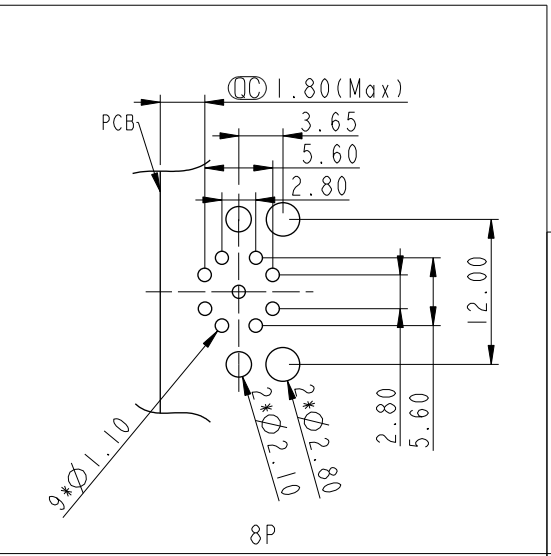
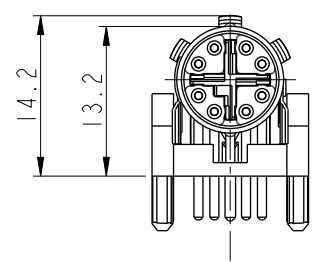
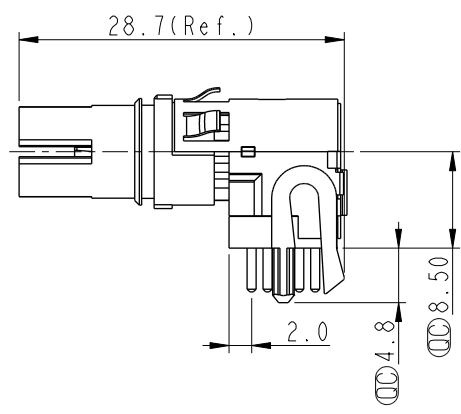
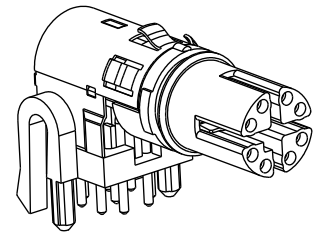
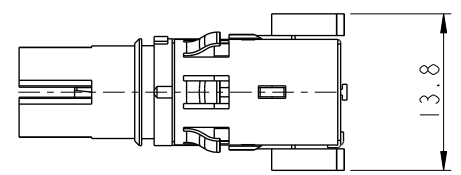
REV.	ECN NO.	DATE	SIGN	DESCRIPTION
A		2022-01-21	Jiahe Lin	Rev.01 To Rev.A



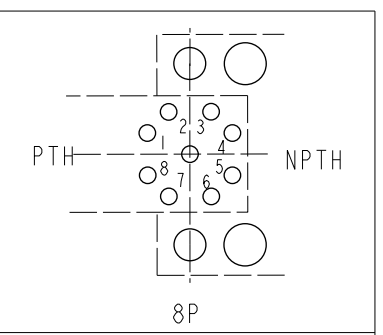
8P

Pin Assignments  
Front View

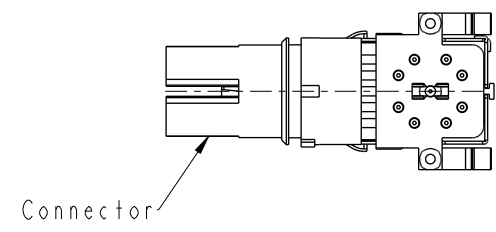
MSXS-XXPFFR-EE0001  
XX: No. Of Pin



PCB Layout



Pin Definition



Note:  
 \* RoHS Compliant  
 \*  $\varnothing$  Important dimension  
 \* Waterproof rate: Non-Waterproof  
 \* Connector  
 Housing: Thermoplastic, Black  
 Pin: Copper alloy, Gold plated  
 \* For pcb thickness: 1.6~2.4mm

UNIT: mm		
TOLERANCE	.X ±0.25	
.XX ±0.1		
.XXX ±0.05		
ANGLES	±1°	

TITLE N SEN, M12 X -SHLD, RECEPTACLE, F, F, PCB R			
SCALE 3:2	SIZE A4	SHEET 1 OF 1	
REV. A	WC-REV. A.1	$\varnothing$ : Inspection item	

**Amphenol LTW**  
 安費諾亮泰企業股份有限公司

ITEM NO.	DWG NO.	CUSTOMER
	MSXS-XXPFFR-EE0001	ALTW

DRAWN BY	CHECKED BY	APPROVED BY
Jiahe Lin	Allen Pan	Fred Lee

DATE	DATE	DATE
2022-01-21	2022-01-21	2022-01-21