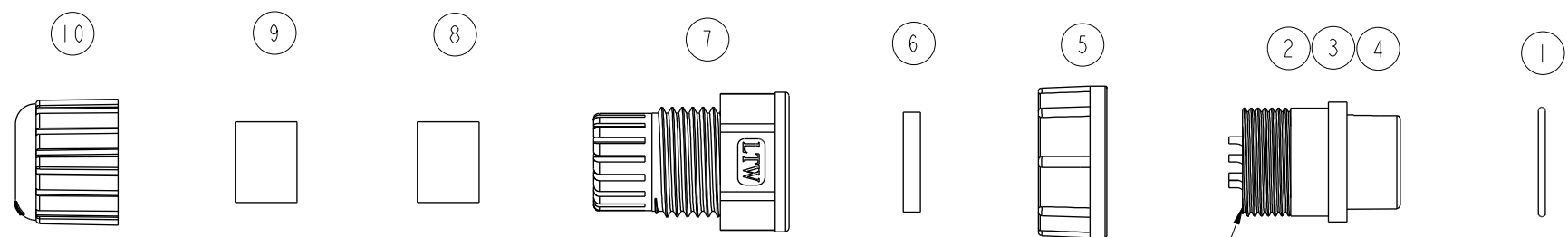


THIS DOCUMENT IS SUBJECT TO CHANGE WITHOUT NOTICE. IT IS CONFIDENTIAL AND A PROPERTY OF Amphenol LTW. DISCLOSURE TO THIRD PARTY HAS TO BE AUTHORIZED BY Amphenol LTW.

REV.	ECN NO.	DATE	SIGN	DESCRIPTION



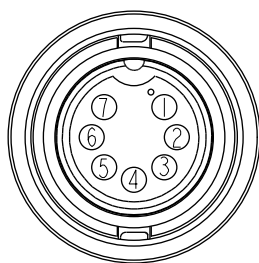
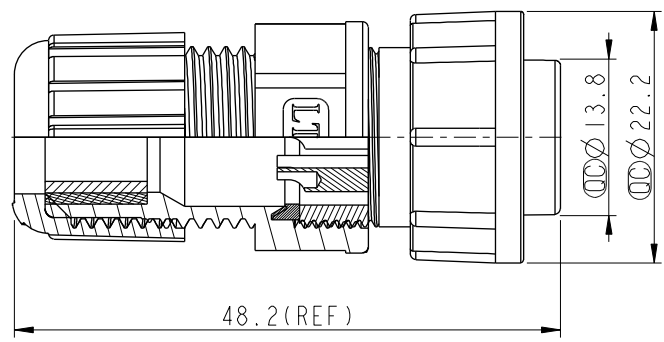
With Liquid Glue
點防水膠

ALTW
CONFIDENTIAL
2012-04-11
R&D DEPT.

ALTW
DCC. DEPT.
CONFIDENTIAL
2012-05-15
ISSUED

Note:

- * Seals B1 for Cable OD: $\varnothing 7.6\text{mm} \sim \varnothing 9.6\text{mm}$ (防水墊圈B1線徑: $\varnothing 7.6\text{mm} \sim \varnothing 9.6\text{mm}$)
- * Seals B2 for Cable OD: $\varnothing 4.0\text{mm} \sim \varnothing 7.6\text{mm}$ (防水墊圈B2線徑: $\varnothing 4.0\text{mm} \sim \varnothing 7.6\text{mm}$)
- * One Set Unassembled in One PE Bag. (每一組未組裝, 放置於一個PE袋, 並封口)
- * Ⓞ Important Dimension (Ⓞ 為重點檢驗尺寸)



Pin Assignments
Front View 前視圖

NO.	NAME	COLOR	SPECIFICATION	QTY	NOTE
11	PE Bag		90*85mm(Sealed)	1	
10	Sealing Nut	Black	Nylon	1	
9	Seals B2	Black	EPDM	1	
8	Seals B1	Black	EPDM	1	
7	Clamp Ring	Black	Nylon	1	
6	Gasket	Black	Silicone	1	
5	Lock Nut	Black	Nylon+GF	1	
4	Liquid Glue			1	
3	Male Pin		Brass 6u" Gold Plated Solder Type	7	
2	Connector	Black	7Pin Male, Nylon+GF	1	
1	O-ring	Black	EPDM	1	

UNIT: mm			TITLE Lock Type Connector For Field Installation 180° 7Pin Female Connector Male Pin(5A)
TOLERANCE .X ±0.25 .XX ±0.1 .XXX ±0.05 ANGLES ±1°	SCALE 1:1	SIZE A4	SHEET 1 OF 1
REV. A	WC-REV. A.2	Ⓞ : Inspection item	

Amphenol LTW
安費諾亮泰企業股份有限公司

ITEM NO. CD-07BFMA-LL7001	DRAWN BY SamChang	DATE 2012-04-11
DWG NO. CD-07BFMA-LL7001	CHECKED BY Jeffrey	DATE 2012-05-15
CUSTOMER ALTW	APPROVED BY Lion	DATE 2012-05-15