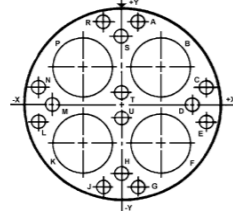


Contact Layout

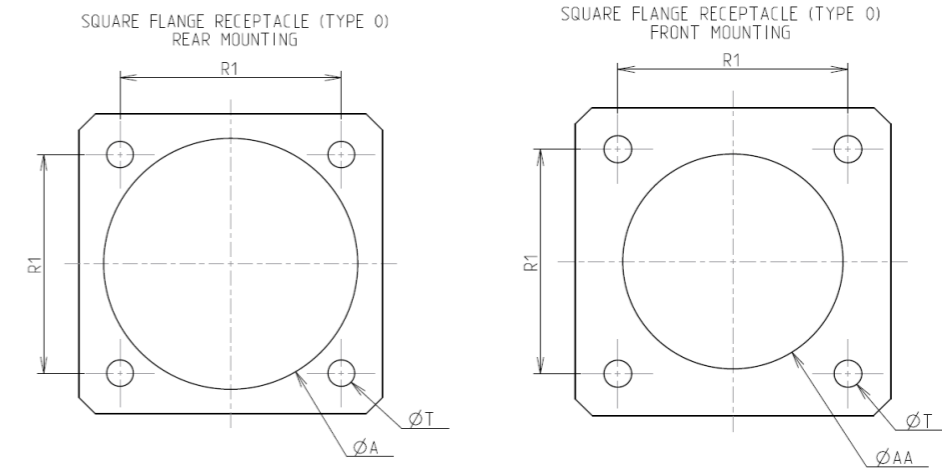


(Inactive for new design for MIL-DTL-38999. For new design, use arrangement no. 19-19.)

Contacts (Insert arrangement 19-18)						
Contact position ID	Location		Contact position ID	Location		Standard contact
	X-axis (mm)	Y-axis (mm)		X-axis (mm)	Y-axis (mm)	
A	+068 (1.73)	+380 (9.65)	K	-180 (4.57)	-180 (4.57)	M39029/90-529
B	+180 (4.57)	+180 (4.57)	L	-377 (9.58)	-065 (1.65)	
C	+377 (9.58)	+065 (1.65)	M	-317 (8.05)	+000 (0.00)	M39029/58
D	+317 (8.05)	+000 (0.00)	N	-377 (9.58)	+065 (1.65)	
E	+377 (9.58)	-065 (1.65)	P	-180 (4.57)	+180 (4.57)	M39029/91-530
F	+180 (4.57)	-180 (4.57)	R	-068 (1.73)	+380 (9.65)	
G	+068 (1.73)	-380 (9.65)	S	+000 (0.00)	+319 (8.10)	M39029/56
H	+000 (0.00)	-319 (8.10)	T	+000 (0.00)	+044 (1.12)	
J	-068 (1.73)	-380 (9.65)	U	+000 (0.00)	-044 (1.12)	

Shell size	Arrangement No.	Number of contacts	Size contacts (see note)	Service rating	Contact location	Standard contact	
						Pin	Socket
19	18	4	8	Twinax	B, F, K, P	M39029/90-529	M39029/91-530
		14	22D	M	All others	M39029/58	M39029/56

Panel Cutout



Dim	Nominal
ØA	32.94 min
ØAA	28.98 min
R1	29.36
ØT	3.25 ±0.13

SOURIAU shall not be liable for any non-conformity or damage due to a use of the Products which does not comply with the Specifications issued by either of the Parties or by a third party (professional recommendation, technical notice.)

Country	Jurisdiction & Control List
FR	Not Listed

PN: 8D019X18SE

A	02-11-2016	First Release	
ISS	DATE	Latest modification - by	MOD N°
Designed By:		Date:	CUSTOMER DRAWING
TITLE	Composite Receptacle 8D series		
SCALE		General linear Tolerances: ±--	NPRDS / PROJECT 859
NA			
SOURIAU	WWW.SOURIAU.COM		This document is the property of SOURIAU it must not be reproduced or communicated without permission
FORMAT	SOURIAU DRG N° 8D019X18SE-C		SHEET 2/2