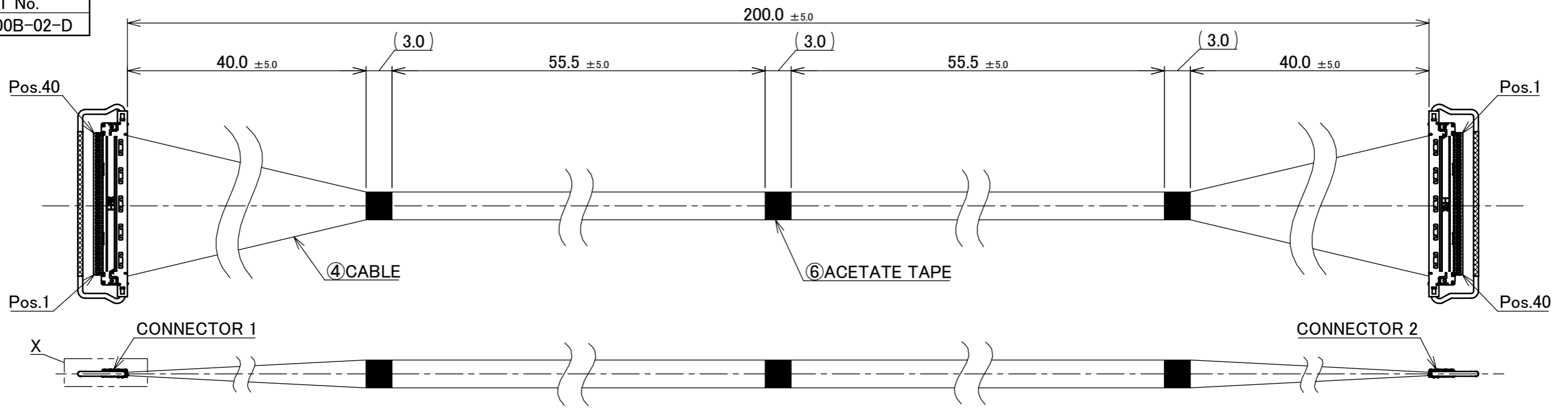
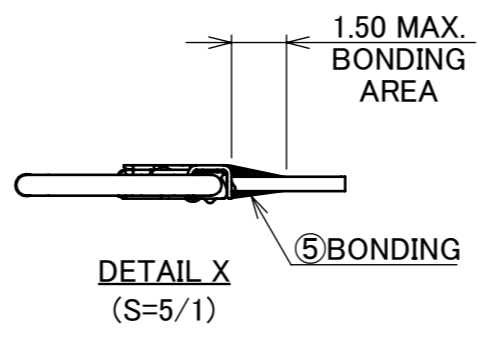
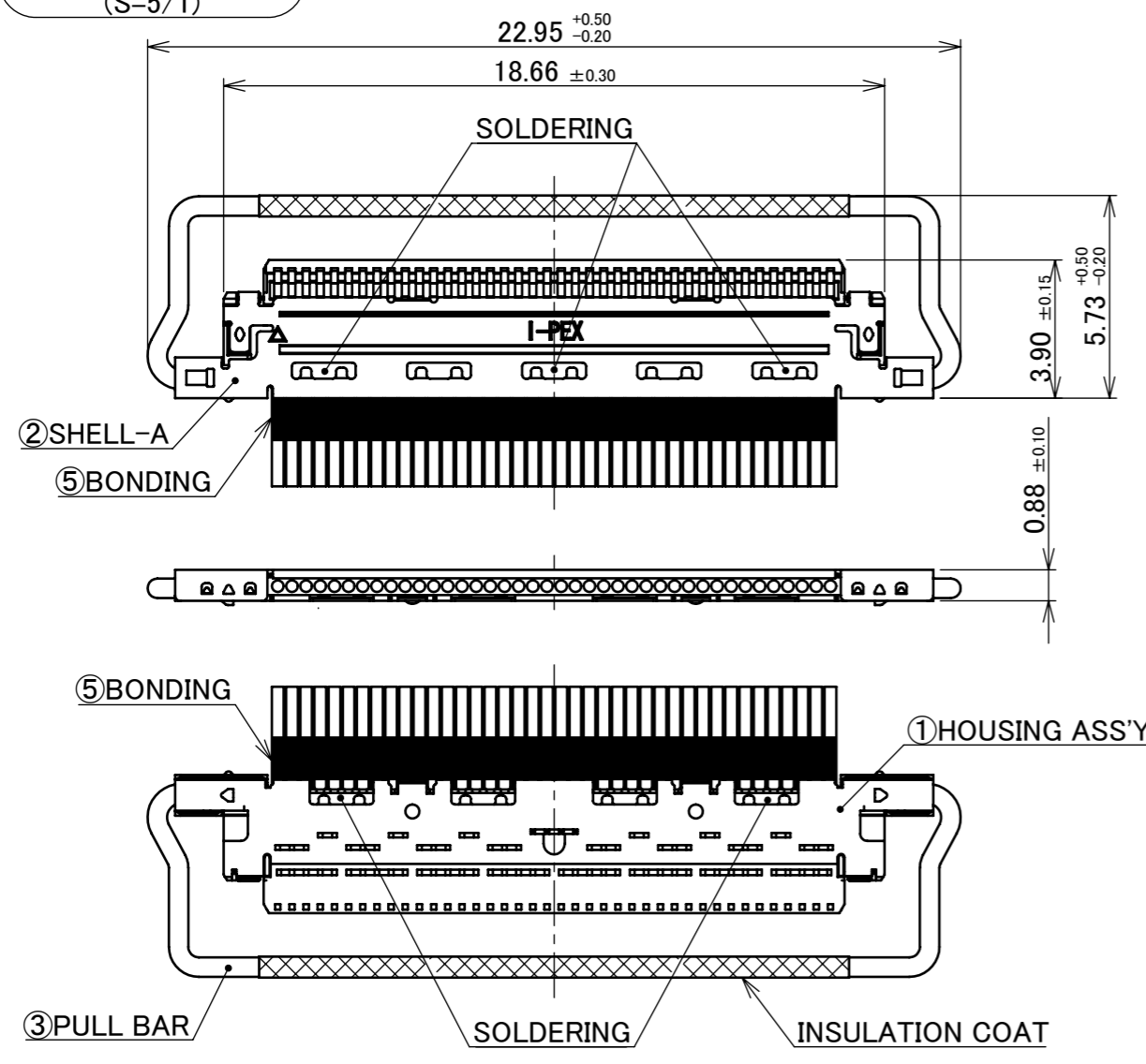


PART No.  
81424-100B-02-D



CONNECTOR 1&2  
(S=5/1)



PIN ASSIGNMENT		
CONNECTOR 1	CABLE	CONNECTOR 2
40	MICRO-COAXIAL AWG#40 50 OHM, BLUE	1
39	MICRO-COAXIAL AWG#40 50 OHM, BLUE	2
.	MICRO-COAXIAL AWG#40 50 OHM, BLUE	.
.	MICRO-COAXIAL AWG#40 50 OHM, BLUE	.
2	MICRO-COAXIAL AWG#40 50 OHM, BLUE	39
1	MICRO-COAXIAL AWG#40 50 OHM, BLUE	40

NOTE.

1. TO HANDLE THIS CONNECTOR YOU MUST READ AND FOLLOW THE INSTRUCTION MANUAL BELOW.  
I-PEX INSTRUCTION MANUAL No.HIM-09008.

2. ELECTRIC CHARACTERISTICS  
WITHSTANDVOLTAGE : AC 250V(1SEC.) LEAKAGE CURRENT 2.0mA MAX.  
INSULATION RESISTANCE : 50MΩ MIN. DC 100V (0.5SEC.)

NO.	DESCRIPTION	PARTS NO.	QTY	REMARKS
6	ACETATE TAPE	-	3	BLACK
5	BONDING	-	-	UV GLUE
4	CABLE	-	40	MICRO-COAXIAL AWG #40, 50 OHM, BLUE
3	PULL BAR	2766-0401	2	CONNECTOR 1&2
2	SHELL-A	2764-0401-002	2	CABLIN <sup>®</sup> -CA PLUG P/N : 20633-240T-01S CONNECTOR TO BE MATED : 20525-040E-02
1	HOUSING ASS'Y	20634-140T-02	2	

For DIGI-KEY CORPORATION

ANGLE	±2°	6 OVER 30 MAX.	±0.3	PROJECTION ①	SERIES No. IH-210016	CUSTOMER COPY
	6 MAX.	±0.2	30 OVER 120 MAX.			
GENERAL TOLERANCE.				TITLE CABLIN <sup>®</sup> -CA 40P HARNESS	SCALE 2:1	UNIT mm
DWG.	K.Baba		DATE			
CHK.	R.Takei				SIZE A3	SHEET 1/1
REV.	ECN	BY	DATE	APP.		
REVISION RECORD				H.Ikari	DWG. No.	81424
					REV.	0

Confidential B

I-PEX Inc.

QKE-DFE06-02 REV.12