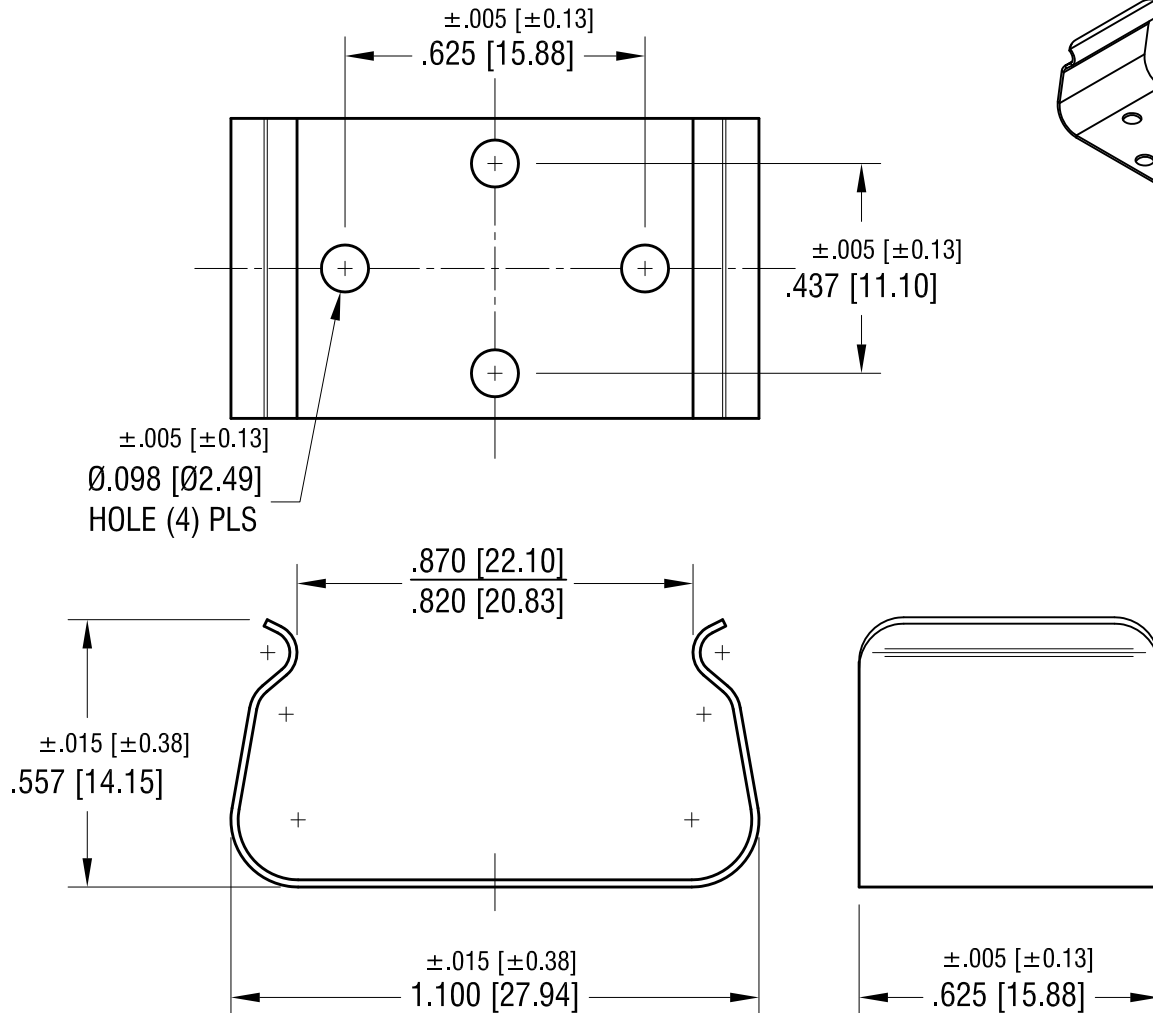
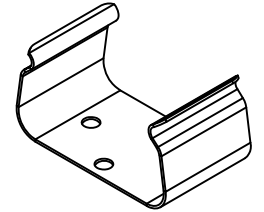


THIS DOCUMENT IS THE PROPERTY OF  
KEYSTONE ELECTRONICS CORP. AND  
SHALL NOT BE REPRODUCED, DISTRIBUTED  
OR USED AS A BASIS FOR MANUFACTURE  
WITHOUT PRIOR WRITTEN PERMISSION  
FROM KEYSTONE ELECTRONICS CORP.

ACTUAL SIZE



**NOTE:**

1. HEAT TREAT TO SPRING TEMPER

7.18.00	CHANGE AS PER ECN 00-066	C
DATE	DESCRIPTION	REV.

<b>KEYSTONE ELECTRONICS CORP.</b>			
www.keyelco.com • NEW HYDE PARK, NY 11040 • Tel (516) 328-7500			
PART NAME		BATTERY CLIP, (2) 'AA'	
MATERIAL		.015 [0.38] TH'K ANNEALED SPRING STEEL	
FINISH	NICKEL PLATE	DRN BY	BOONE
		APP'D	LN
		DATE	10.13.81
		SCALE	2.5X
TOLERANCES	INCH [MM]	CODE	DWG NO.
DECIMAL	$\pm .010 [\pm 0.25]$	C	69
ANGULAR	$\pm 1^\circ$		
UNLESS OTHERWISE SPECIFIED			