

PART NAME: KNOB

SCALE: 1:1

DATE: 6/16/88

DR. BY HD



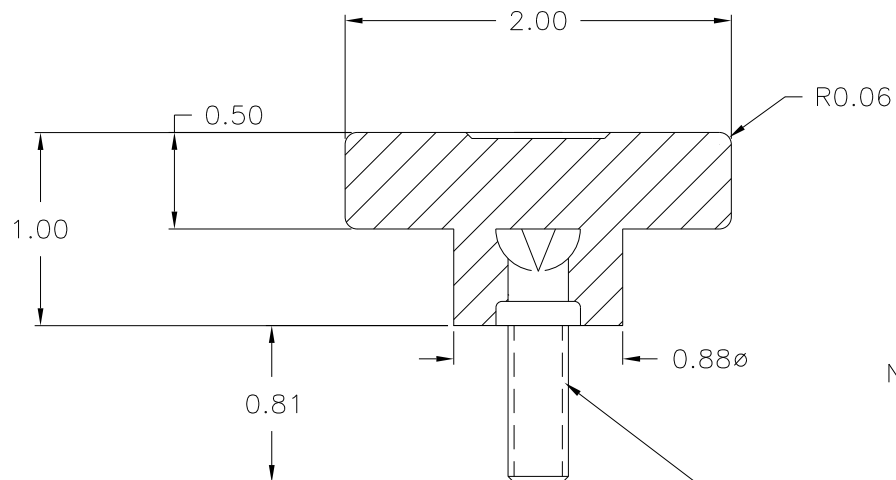
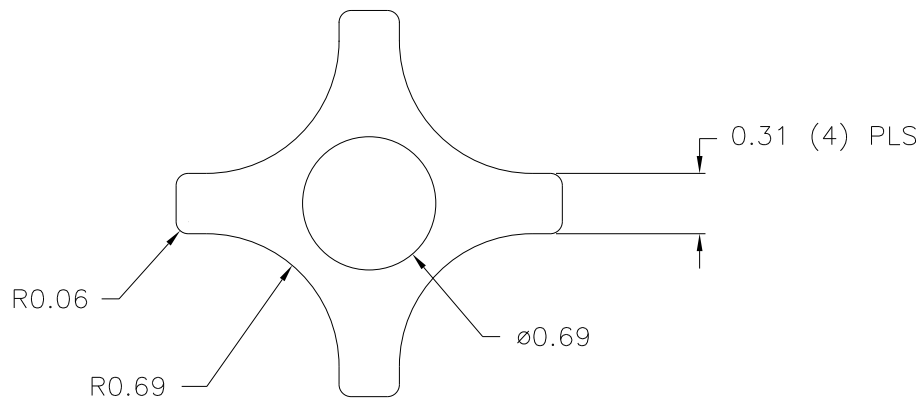
DESIGNERS & MANUFACTURERS  
OF KNOBS, HANDLES, CASES &  
CUSTOM PLASTIC COMPONENTS

THIS DRAWING IS THE PROPERTY OF DAVIES MOLDING COMPANY, IS SUBMITTED SOLELY AS A DESIGN OR ENGINEERING PROJECT.  
WE ACCEPT NO RESPONSIBILITY WHATSOEVER FOR THE PRACTICAL APPLICATION OF THE PIECES MADE TO THIS DESIGN.

P/N 2830AJ

M<sup>NO.</sup> 2890-2830

CAD/REDRAWN : 4/13/93 ; HD



NOTE : TUBE (T0135) MUST BE INSTALLED  
ABOVE ALL MOLDED PARTS

5/16-18 UNC-2 THREAD  
I1528, STAINLESS STEEL

(A)

CAVITY	2830
PLUNGER	2830
PLUNGER PIN	2830
PINS	3000-E
LANDING BAR	.472
PIN PLATE SHIM	.498
SHIM	.018
INSERT	I1528

MATERIAL: #4311 PLENCO PHENOLIC (B41)  
COLOR: BLACK

TOLERANCES: UNLESS OTHERWISE SPECIFIED	DO NOT SCALE DRAWING	A	SHIM WAS .078	ST	5/11/01
		-	UPDATED DWG	HD	4/28/97
DECIMALS: X.XXX ± .005 X.XX ± .015	MM: X.XX ± 0.15MM X.X ± 0.4MM	-	CAD/REDRAWN	HD	4/13/93
FRACTIONS ± 1/64	ANG. ± 1°	CHANGES			