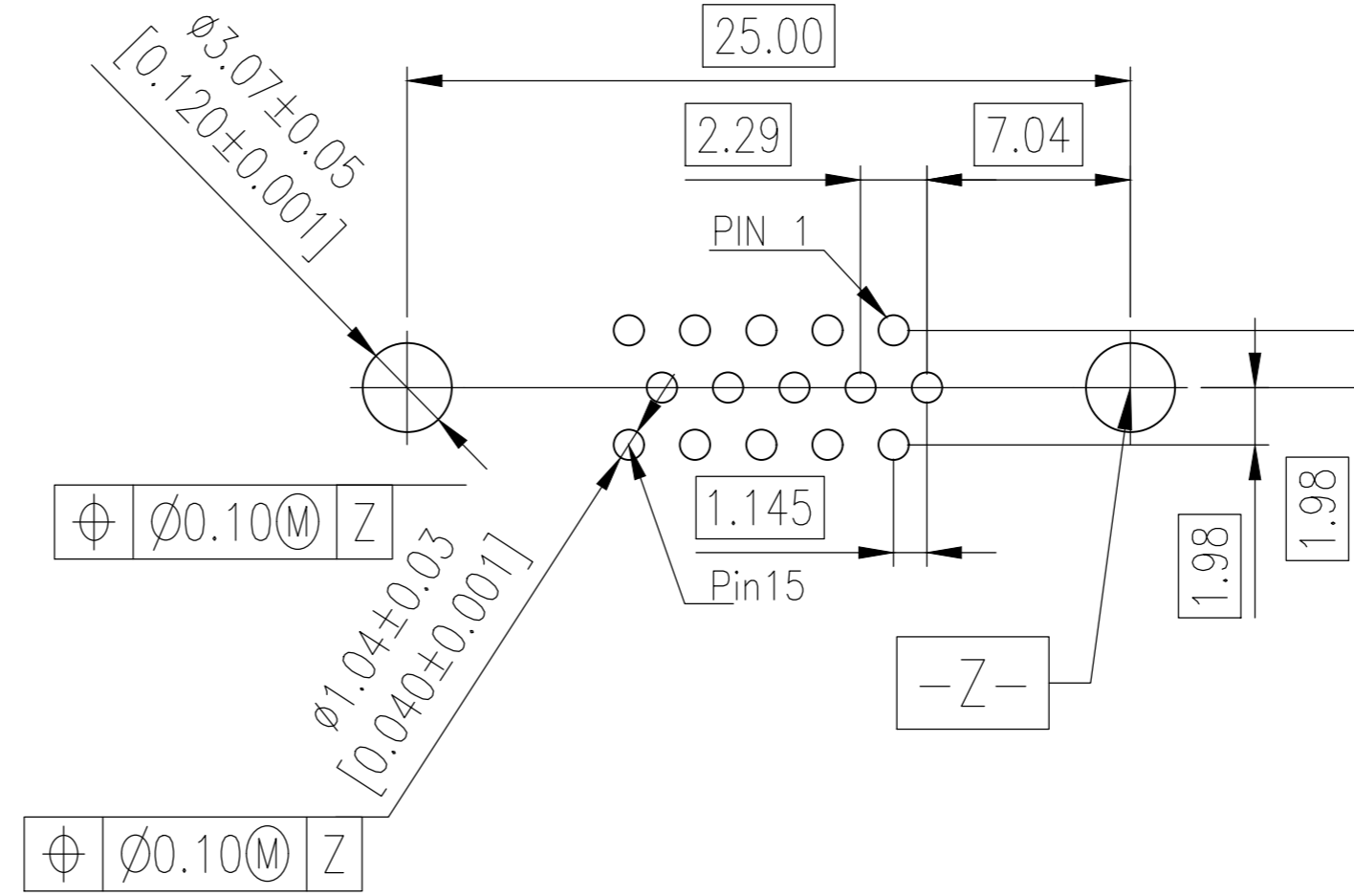
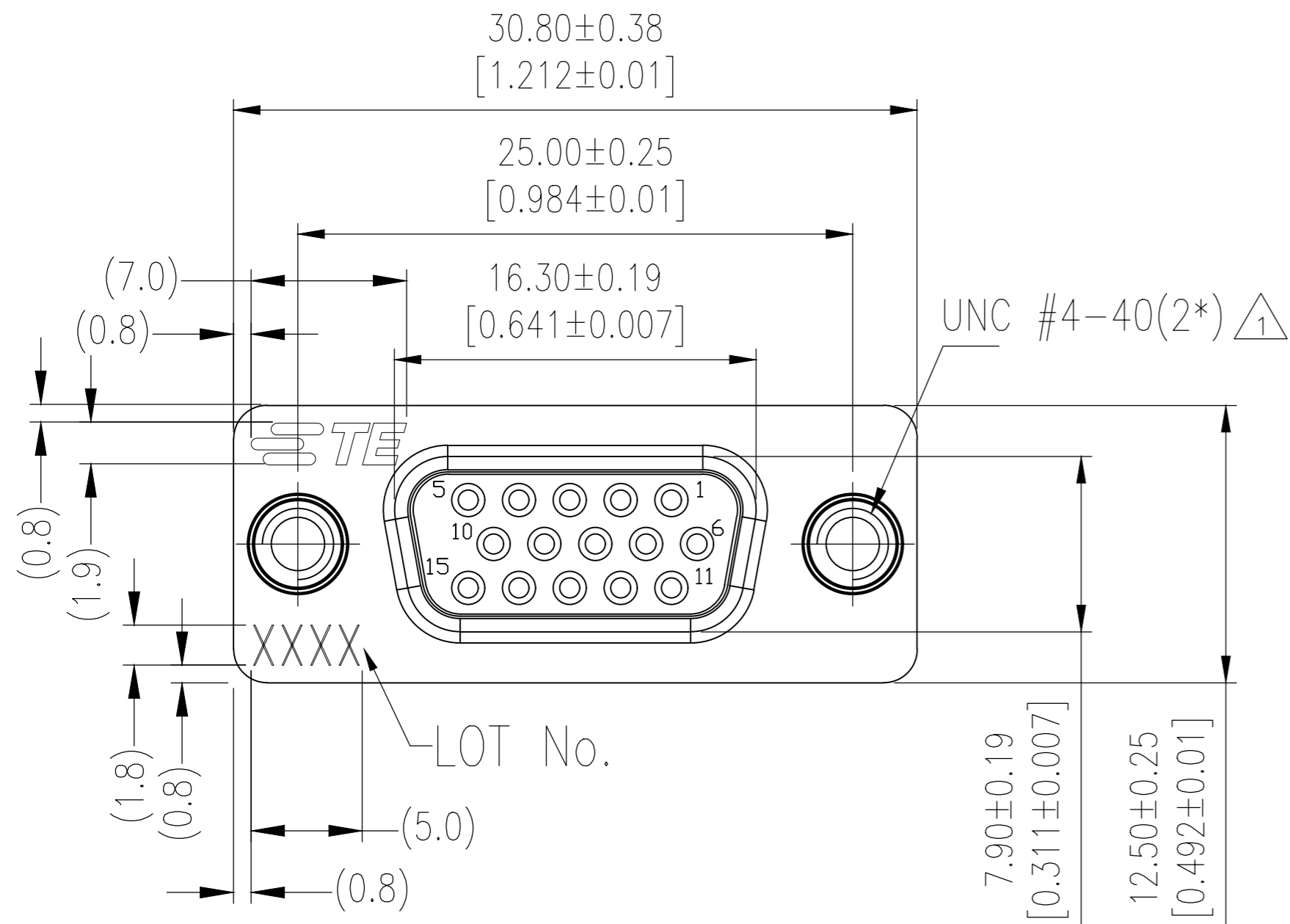


THIS DRAWING IS UNPUBLISHED. RELEASED FOR PUBLICATION
 © COPYRIGHT - By - ALL RIGHTS RESERVED.

REVISIONS					
P	LTR	DESCRIPTION	DATE	DWN	APVD
A		INITIAL RELEASE	04SEP2017	AP	DG
B		REVISED PER ECO-17-016472	21NOV2017	AP	DG
C		REVISED PER ECO-18-011822	26JUL2018	AP	DG

Recommended P.C.B Layout (PCB BOARD TOLERANCE ±0.05)

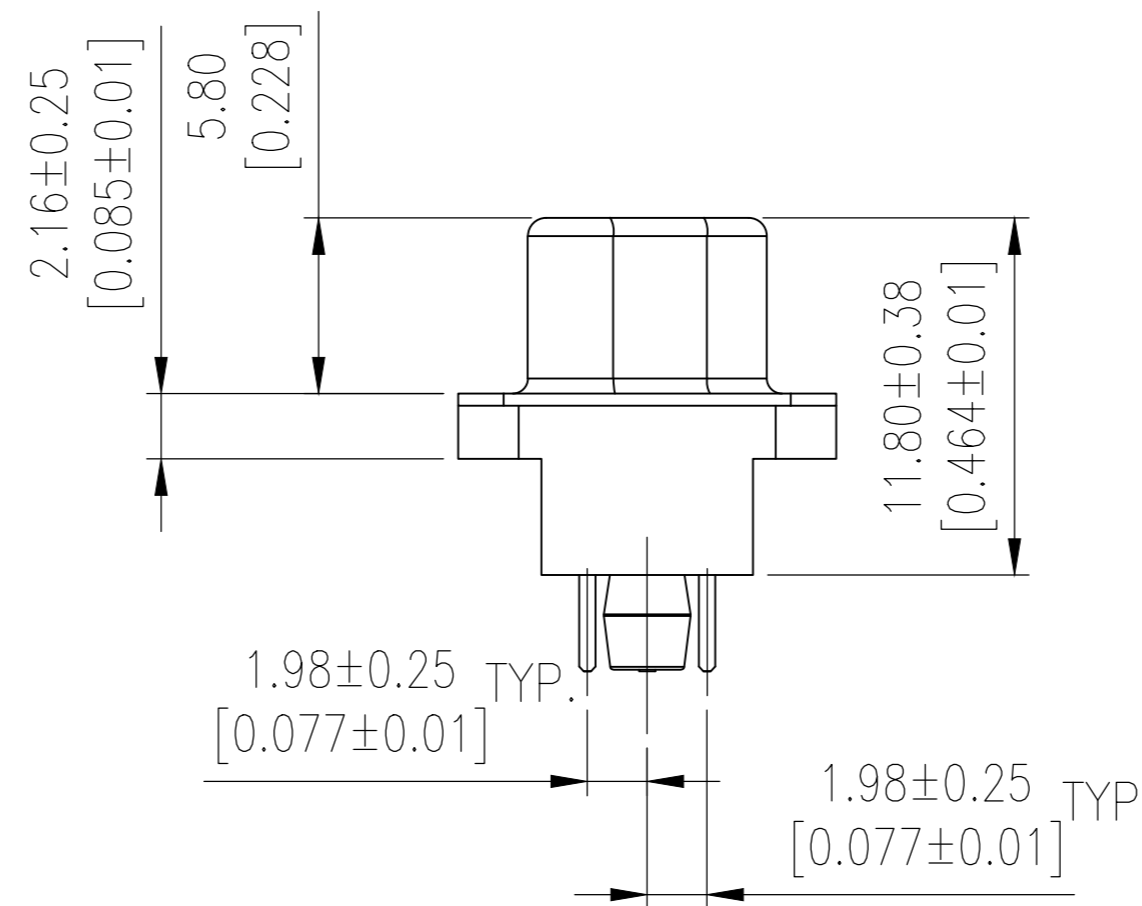
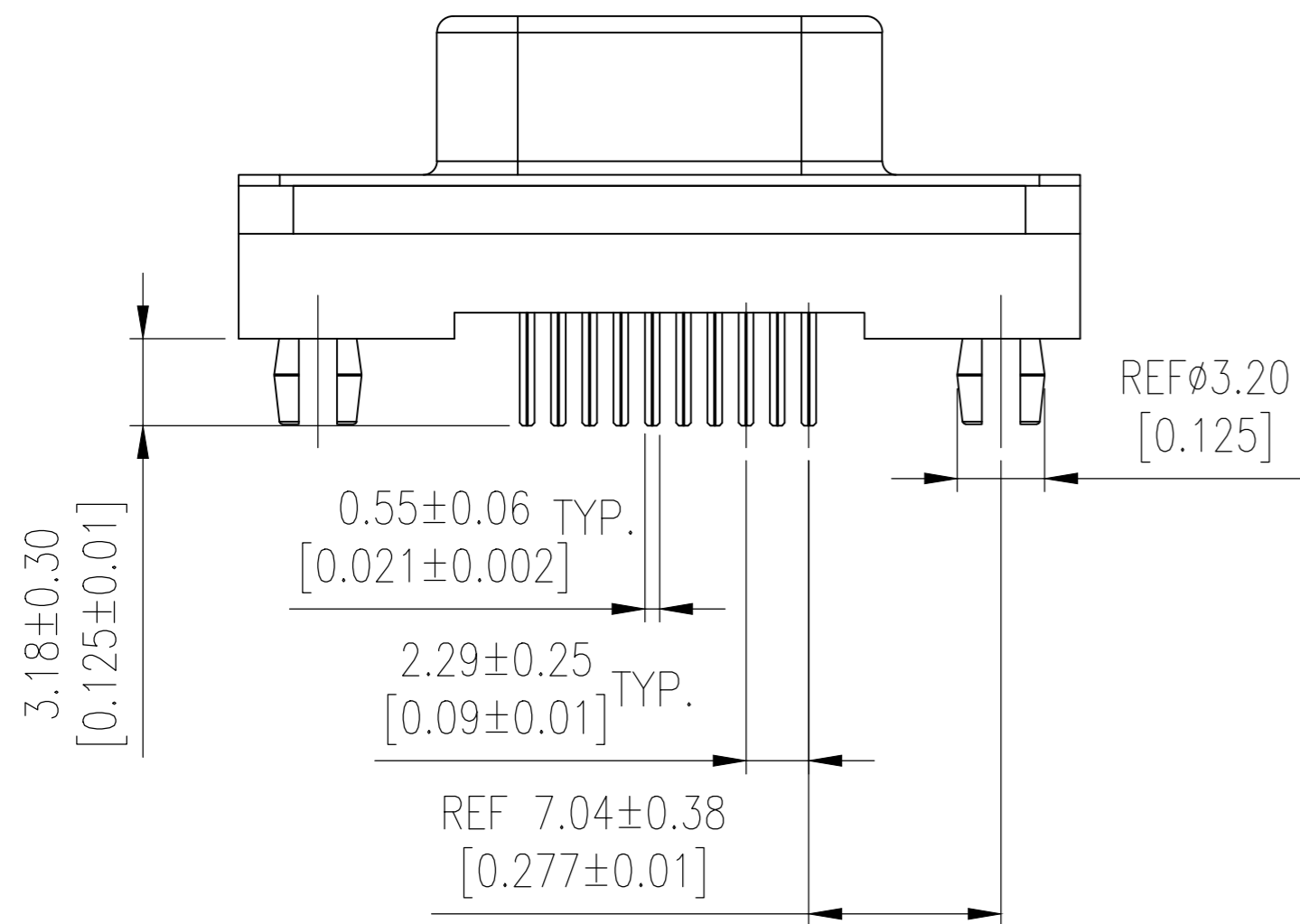


NOTES:
 Rated Current:3.0AMP
 Contact Resistance:35mΩ max
 Withstand Voltage:500V AC
 Insulation Resistance:1000MΩ min
 Operation Temperature:-40°C to +85°C

Insulator:PBT UL94V-0 BLACK
 Contact:Phosphor Bronze
 " GOLD PLATING ON CONTACT AREA
 100u" MATTE TIN PLATING ON SOLDER TAIL
 50u" NICKEL UNDERPLATED OVERALL
 Holddowns:Brass,100u" TIN OVER 50u" NICKEL
 Sheel:SPCC,50u" NICKEL PLATING OVERALL

LOT NUMBER "XXXX"
 -Stands For Calendar Year
 -Stands For Week Number

△ ACCEPTS MAXIMUM 4.70 [.185] LONG MALE THREAD.



THREADED INSRET	30μAu	2317171-1
TYPE	Contact Area	P/N
	Plating	

THIS DRAWING IS A CONTROLLED DOCUMENT.		DWN AJITH PAI 14MAR2017	TE Connectivity	
DIMENSIONS: mm		CHK DANIEL GORENC 14MAR2017	NAME AMPLIMITE RECEPTACLE, HD22, 15P, VERTICAL THREADED	
TOLERANCES UNLESS OTHERWISE SPECIFIED:		APVD DANIEL GORENC 14MAR2017	SIZE A2	
0 PLC ± -		PRODUCT SPEC	CAGE CODE 00779	
1 PLC ± -		APPLICATION SPEC	DRAWING NO C=2317171	
2 PLC ± 0.25		WEIGHT	RESTRICTED TO	
3 PLC ± -		CUSTOMER DRAWING	SCALE 1:1	
4 PLC ± -			SHEET 1 OF 1	
ANGLES ± -			REV C	
FINISH				