

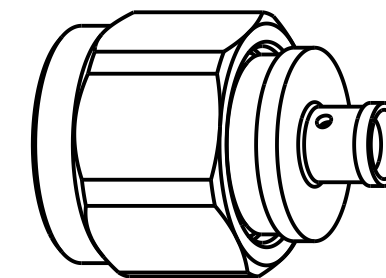
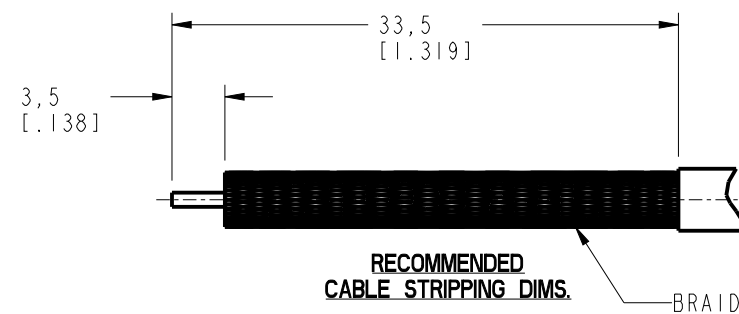
NOTES:

1. MATERIAL AND FINISH:
 COUPLING NUT - BRASS, WHITE BRONZE PLATING
 RING - SUS 304, PASSIVATED
 BODY - BRASS, WHITE BRONZE PLATING
 CONTACT - BRASS, SILVER PLATING
 INSULATOR - PTFE, NATURAL
 INSULATOR DISC - ULTEM, NATURAL

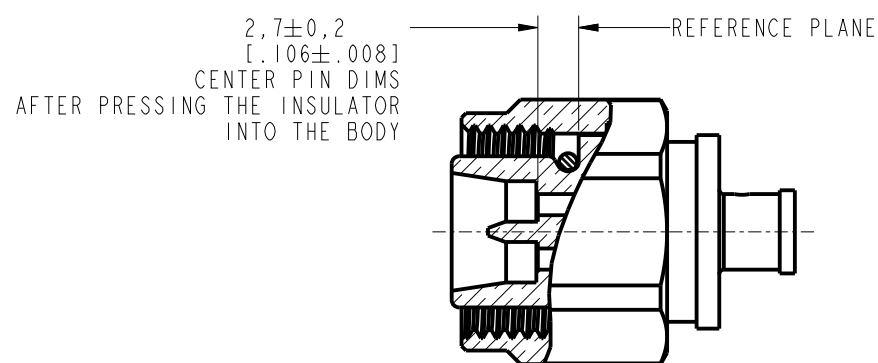
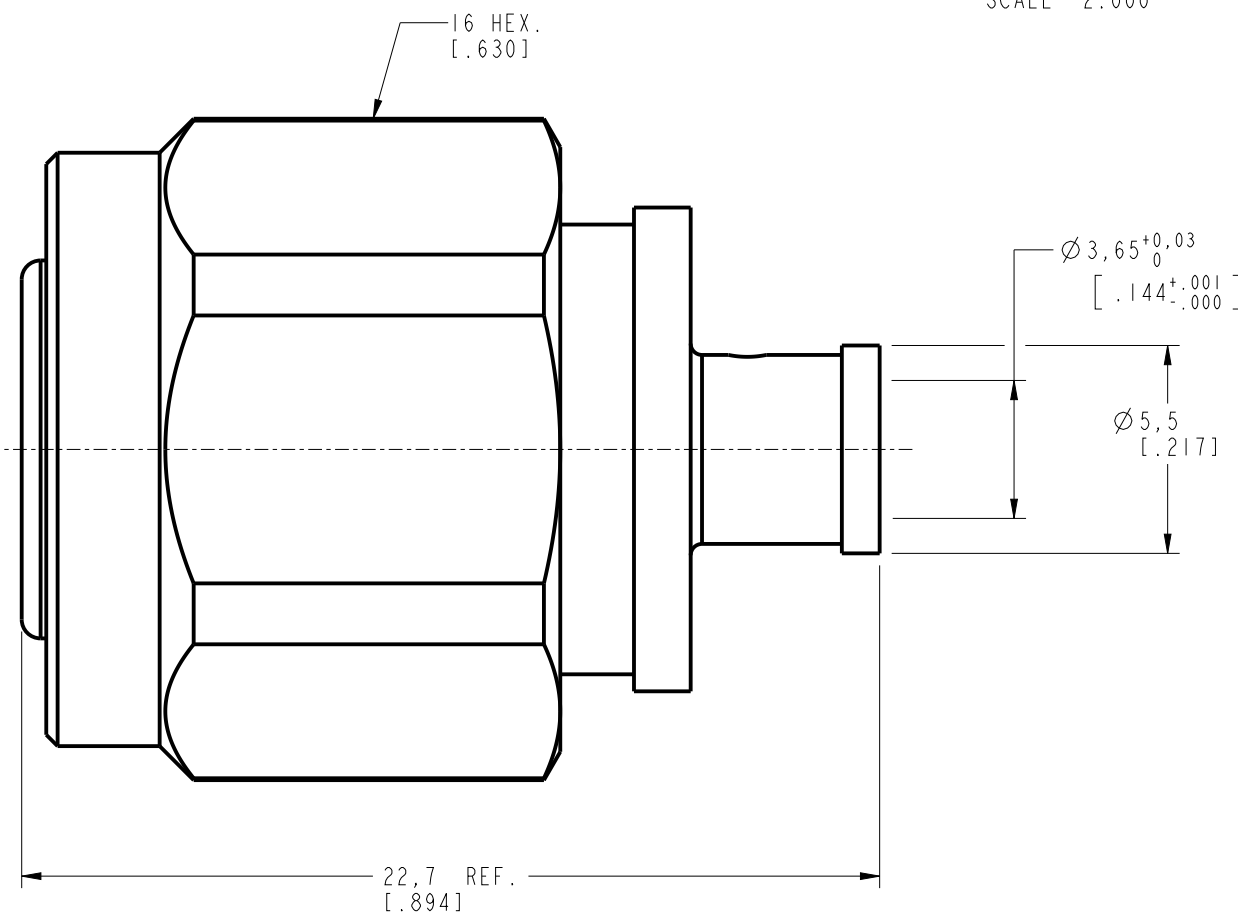
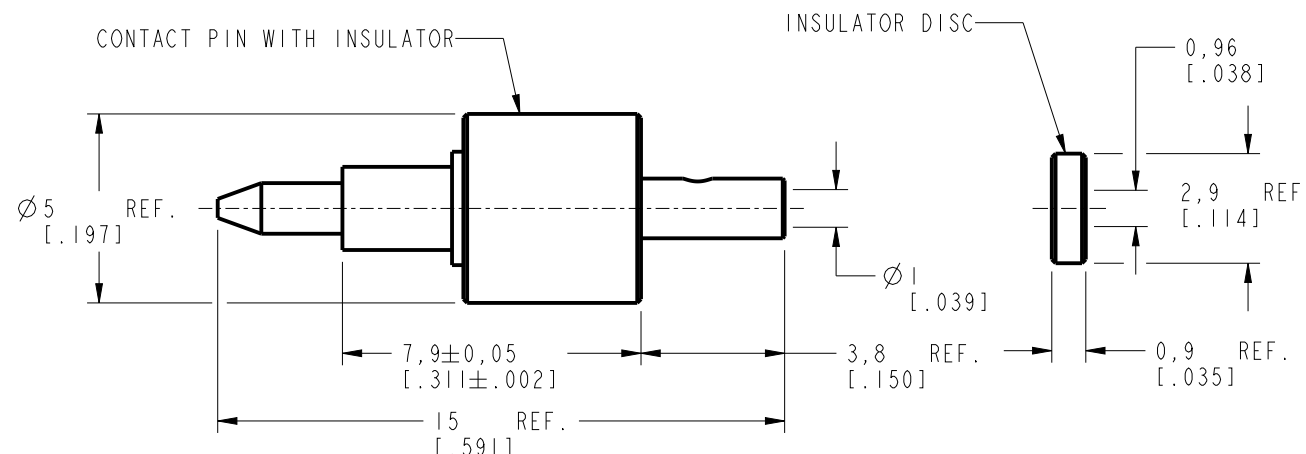
2. ELECTRICAL:
 A. IMPEDANCE: 50 OHM
 B. FREQUENCY RANGE: DC - 6 GHz
 C. RETURN LOSS: 30 dB MIN. DC - 6 GHz
 D. INSULATION RESISTANCE: 3000 MΩ MIN.
 E. DIELECTRIC WITHSTANDING VOLTAGE: 1500V MIN.
 F. INTERMODULATION 3rd ORDER: -166 dBc @2X20W

3. MECHANICAL:
 A. DURABILITY: 100 CYCLES MIN.
 B. TEMPERATURE RANGE: -65°C TO +165°C

REVISIONS				
REV	DESCRIPTION	DATE	ECN	BY
A	RELEASE TO MFG.	12/3/2020	15440	DG



SCALE 2.000



SECTION A-A
 SCALE 2.000

CUSTOMER OUTLINE DRAWING

ALL OTHER SHEETS ARE FOR INTERNAL USE ONLY

NOTICE: These drawings, specifications, or other data (1) are, and remain the property of Amphenol corp. (2) must be returned upon request; and (3) are confidential and not to be disclosed to any person other than those to whom they are given by Amphenol Corp. The furnishing of these drawings, specifications, or other data by Amphenol Corp., or to any other person to anyone for any purpose is not to be regarded by implication or otherwise in any manner licensing, granting rights to permitting such holder or any other person to manufacture, use or sell any product, process or design, patented or otherwise, that may in any way be related to or disclosed by said drawings, specifications, or other data.

UNLESS OTHERWISE SPECIFIED
 DIMENSIONS ARE METRIC (INCHES) AND TOLERANCES ARE:
 <0.5mm = ±0.05mm [$<0.020 = \pm 0.002$]
 >0.5 - 6mm = ±0.1mm [$>0.020 - 0.236 = \pm 0.004$]
 >6.00 - 30mm = ±0.2mm [$>0.236 - 1.181 = \pm 0.008$]
 >30.00 - 120mm = ±0.3mm [$>1.181 - 4.725 = \pm 0.012$]

MATERIAL

 ENGINEER
 L. QIN
 DATE
 11/30/2017

TITLE
 2.2-5 PLUG
 FOR RG-402 CABLE OR
 .141 CABLE
 SHEET NO. 2 OF 2
 SCALE: 5.0:1.0

Amphenol RF
 SIZE B
 DRAWING NO. 2251181A1-001-ATS-50
 ITEM NO. 225-101P-52S
 PART NO. 225-101P-52S
 REV A

THIRD ANGLE PROJ.

REFERENCE

 EAR#
 8104

ANGLES = ±1°