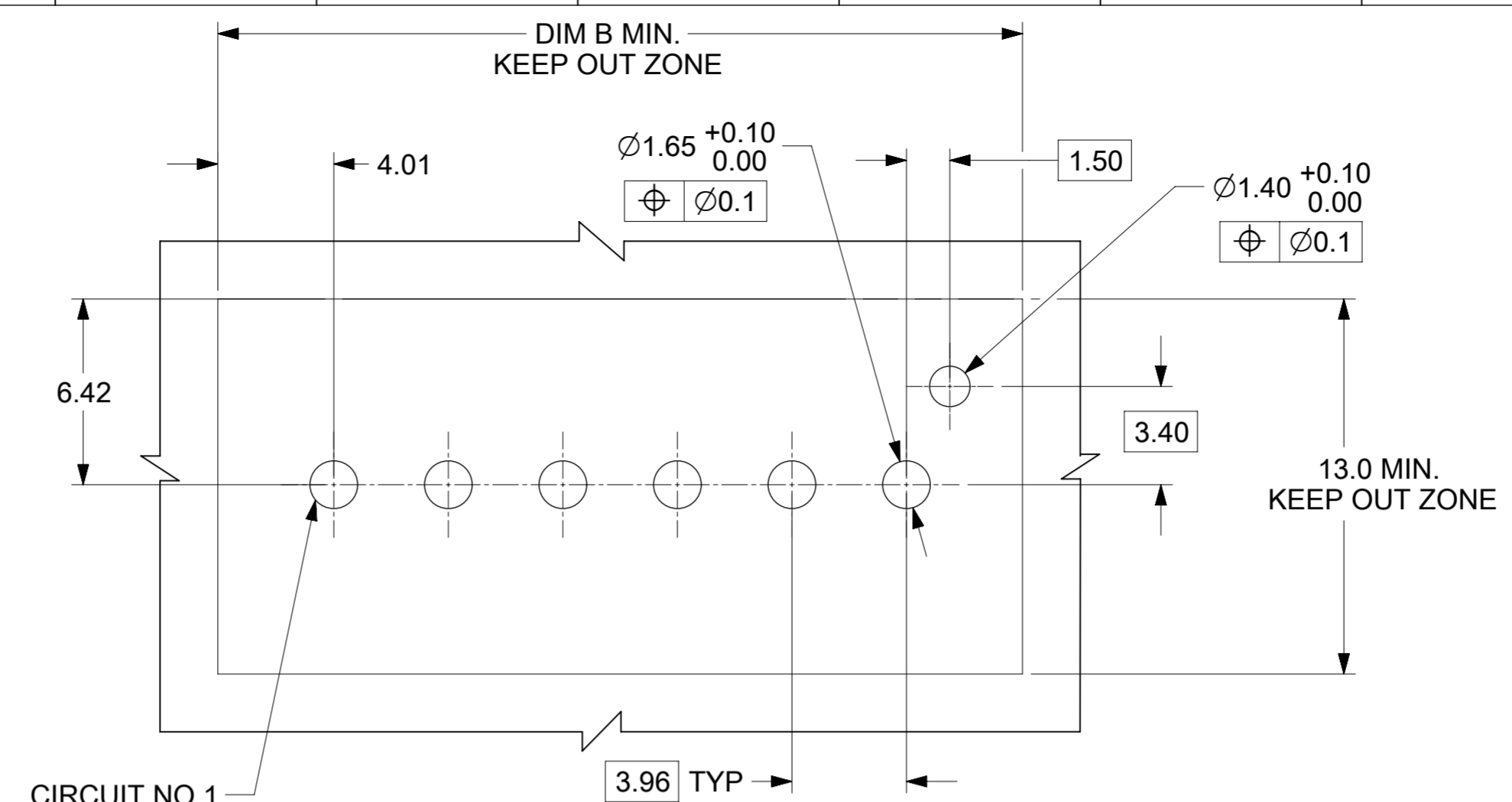
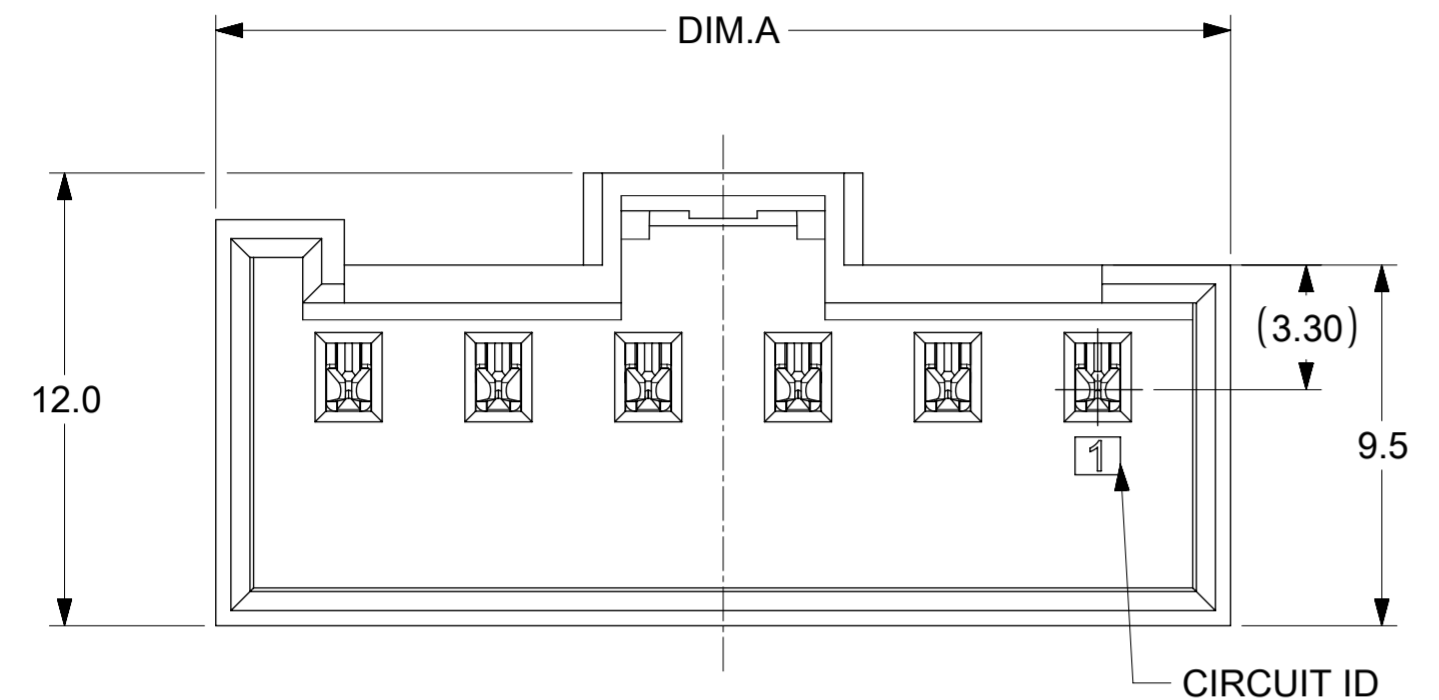
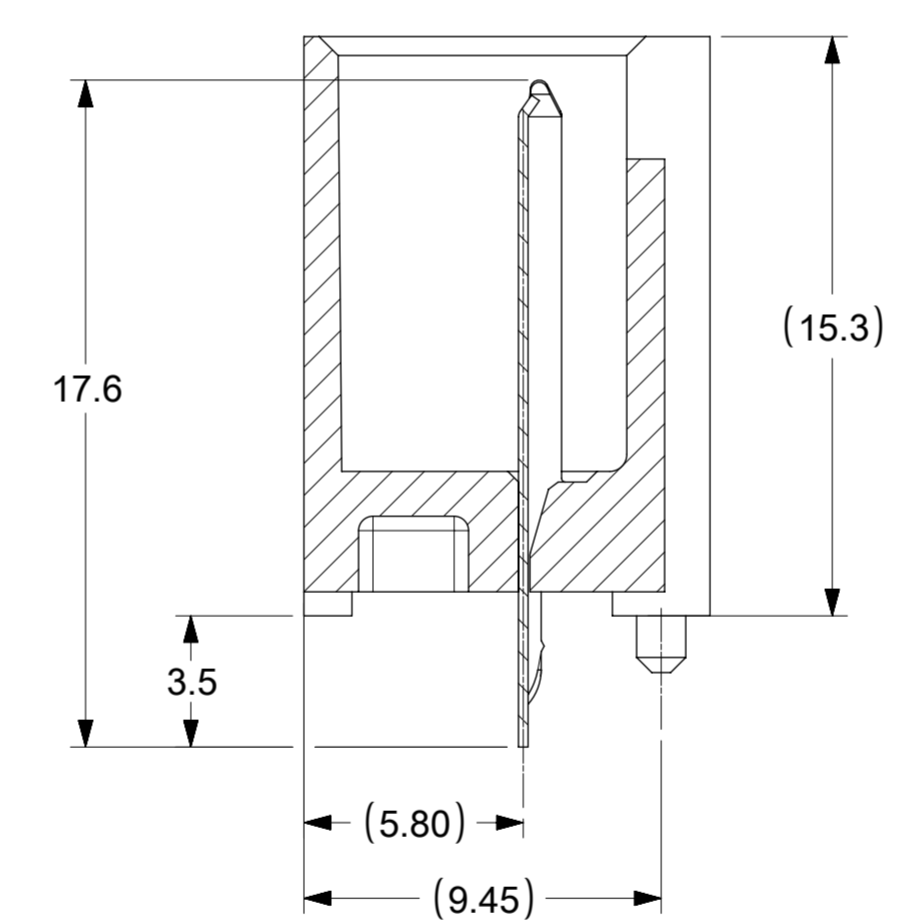
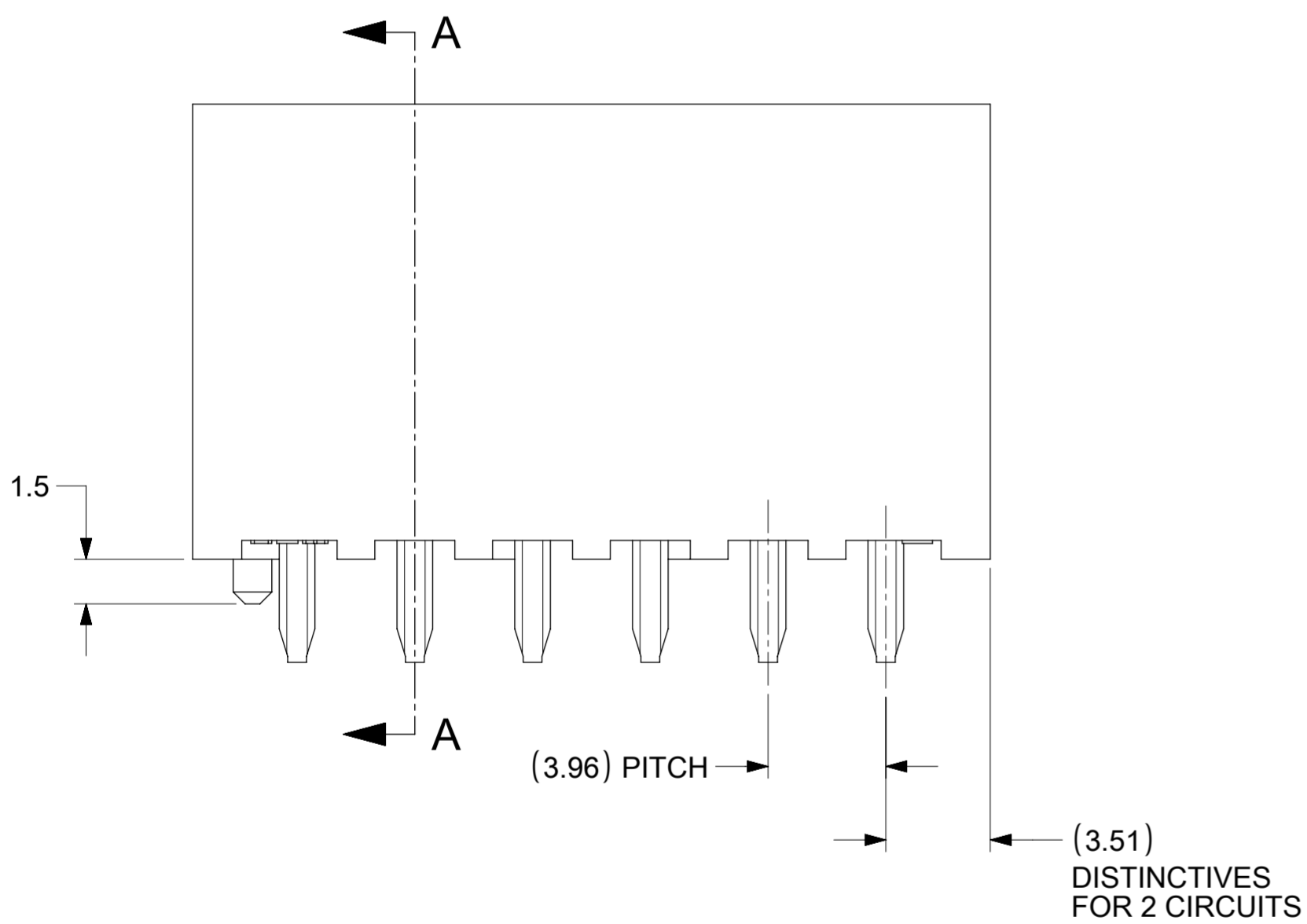
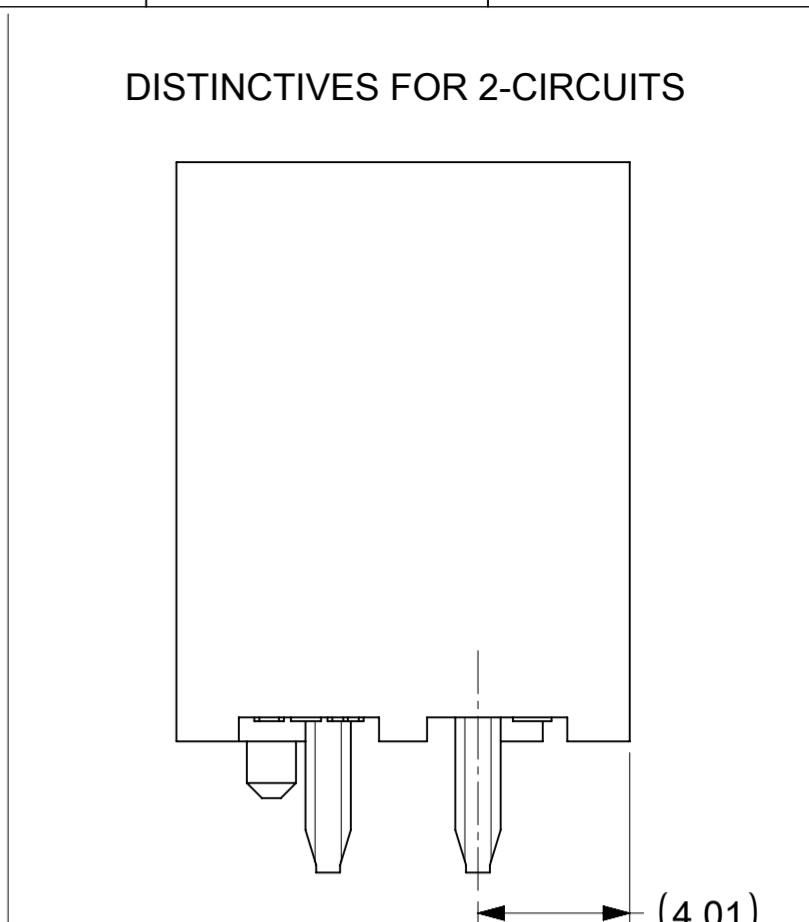


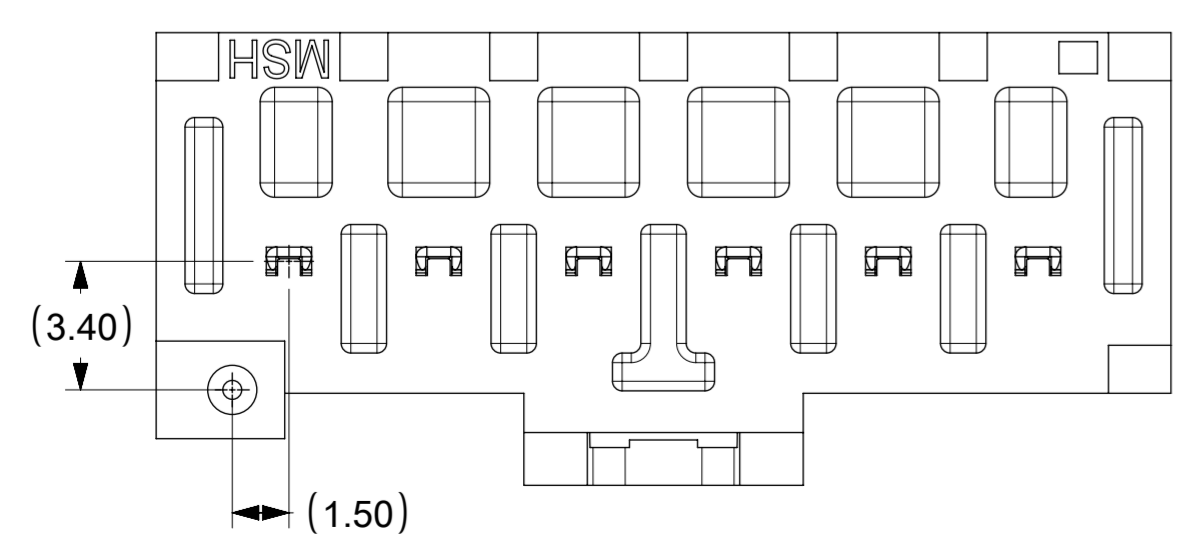
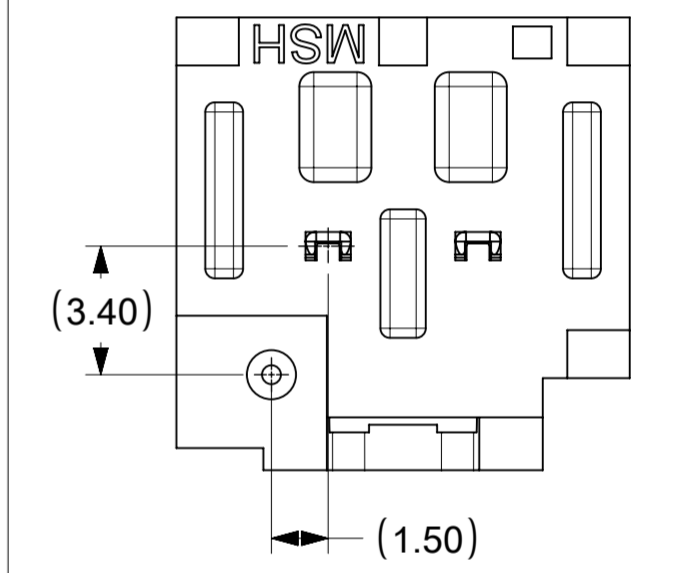
CIRCUIT SIZE	HEADER ASSY P/N	DIM. A	DIM. B
02	2074790002	11.99	12.99
03	2074790003	14.95	15.95
04	2074790004	18.91	19.91
05	2074790005	22.88	23.88
06	2074790006	26.84	27.84



PCB FOR SHROUDED HEADER ASSEMBLY
PCB LAYOUT VIEWED FROM THE SOLDERING SIDE
(RECOMMENDED PCB THICKNESS : 1.60mm)



SECTION A-A

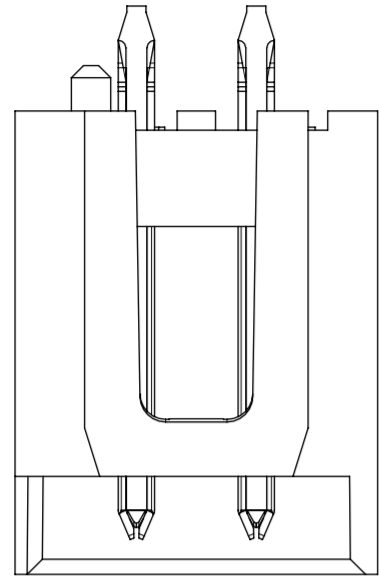


- NOTES:
- MATERIAL:
 - HOUSING: LIQUID CRYSTAL POLYMER. RATED UL94V-0, COLOR-BLACK
 - TERMINAL: BRASS ALLOY PLATING: TIN OVER COPPER OVERALL
 - PRODUCT SPECIFICATION: 2074580000-PS
 - PACKAGING SPECIFICATION: 2074790000-PK
 - COSMETIC SPECIFICATION: PS-45499-002 CLASS B

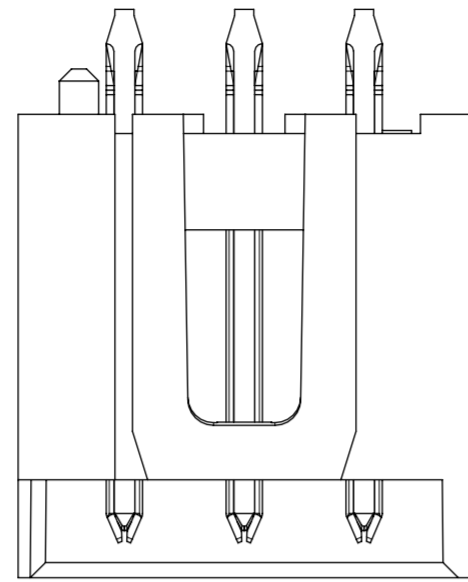
THIS DRAWING CONTAINS INFORMATION THAT IS PROPRIETARY TO MOLEX ELECTRONIC TECHNOLOGIES, LLC AND SHOULD NOT BE USED WITHOUT WRITTEN PERMISSION											
DIMENSION UNITS		SCALE		CURRENT REV DESC:							
mm		5:1									
GENERAL TOLERANCES (UNLESS SPECIFIED)				EC NO: 706747							
ANGULAR TOL ± 0.5°				4 PLACES ±		DRWN: SHRUTJ		2022/04/27			
3 PLACES ±				3 PLACES ±		CHK'D: SHRUTJ		2022/05/13			
2 PLACES ± 0.2				2 PLACES ± 0.2		APPR: ISHWARG		2022/05/13			
1 PLACE ± 0.25				1 PLACE ± 0.25		INITIAL REVISION:					
0 PLACES ±				0 PLACES ±		DRWN: GGUNAGI		2018/09/19			
DRAFT WHERE APPLICABLE MUST REMAIN WITHIN DIMENSIONS				THIRD ANGLE PROJECTION		DRAWING		SERIES			
				A2-SIZE		207479					
DOCUMENT STATUS			P1			RELEASE DATE			2022/05/13 18:11:36		
DOCUMENT NUMBER			DOC TYPE			DOC PART			REVISION		
2074790000-SD			PSD			000			C2		
MATERIAL NUMBER			CUSTOMER			SHEET NUMBER					
SEE TABLE			GENERAL MARKET			1 OF 2					

POLARIZATION

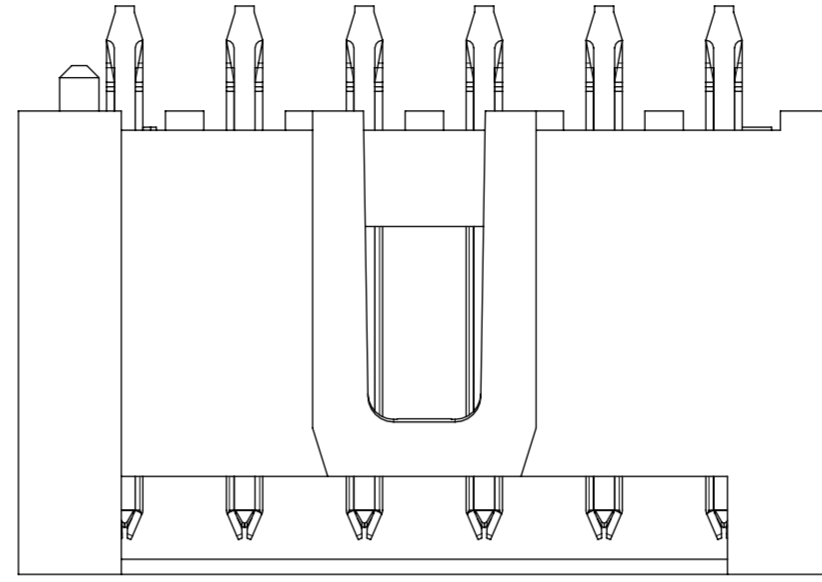
2 CKT



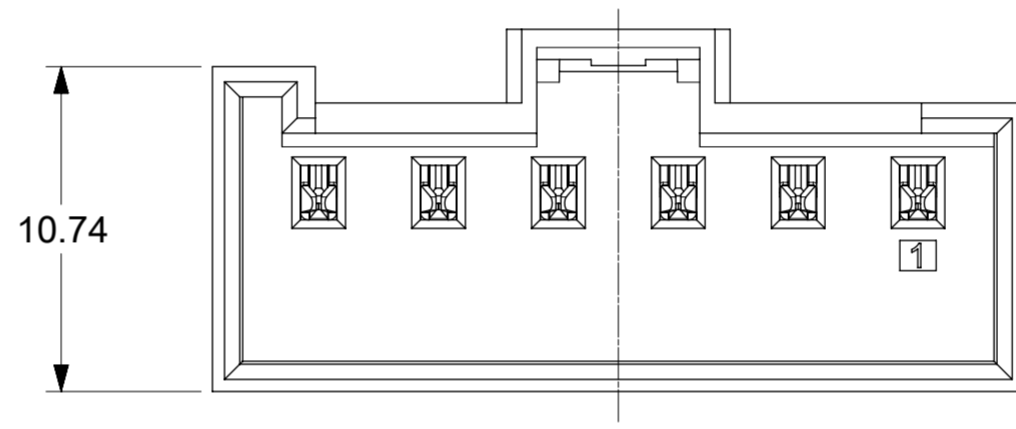
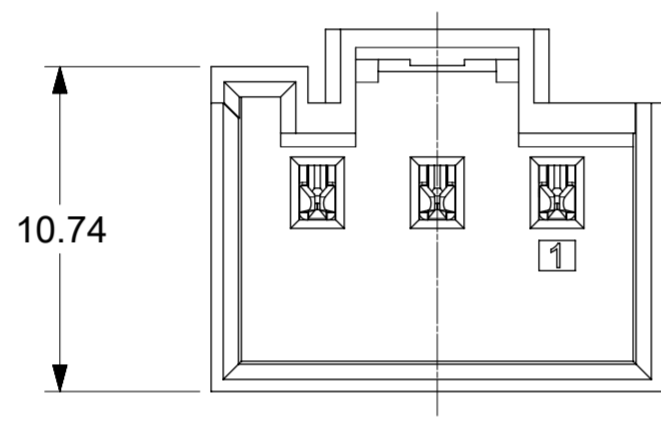
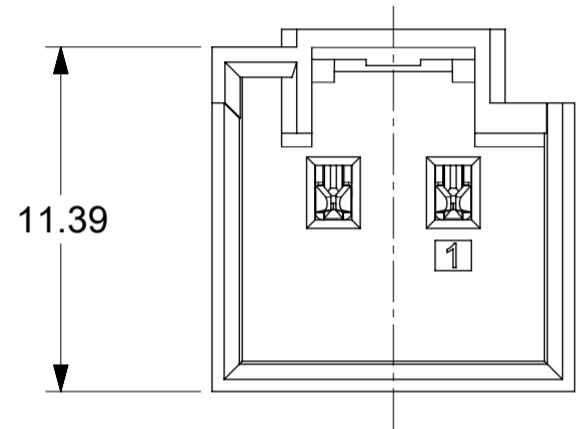
3 CKT



4 TO 6 CKT

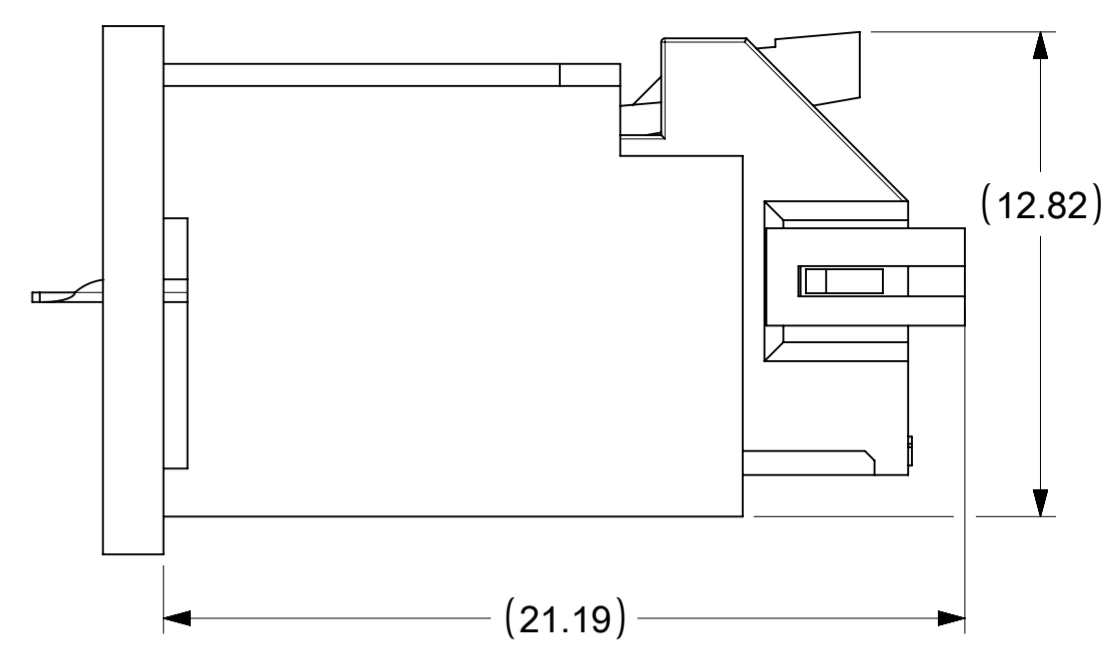


3.4

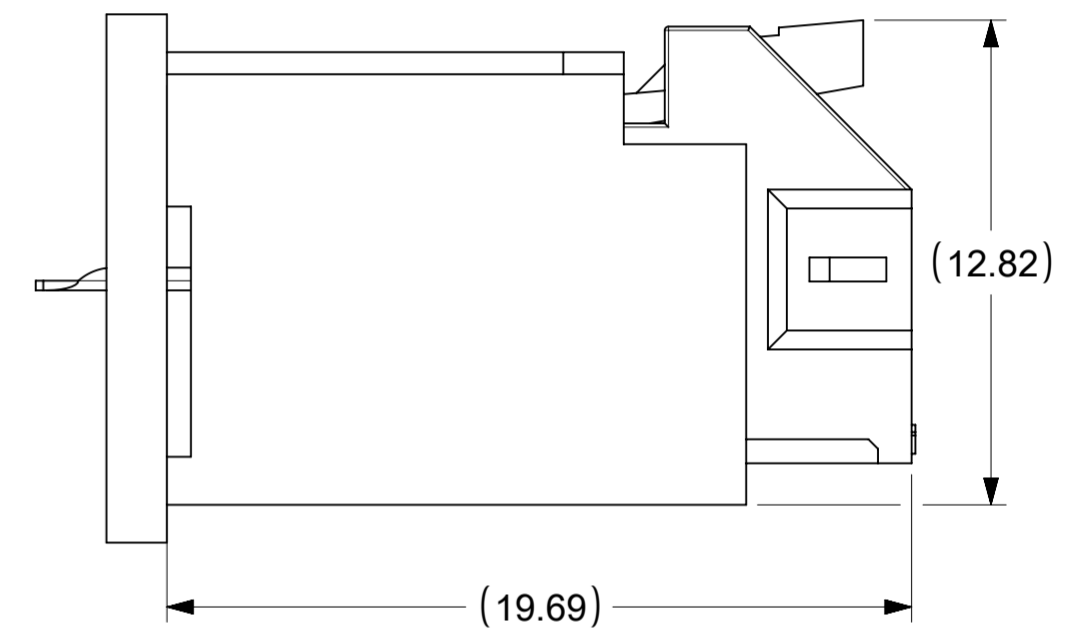


ASSEMBLY DIMENSIONS

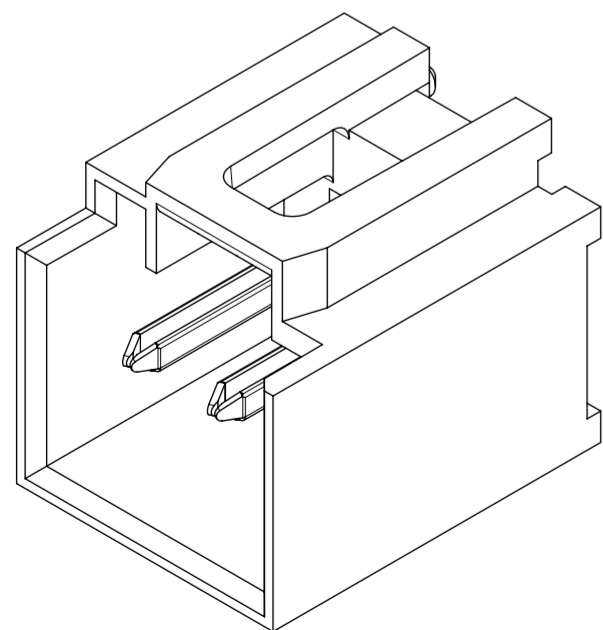
WITH TPA



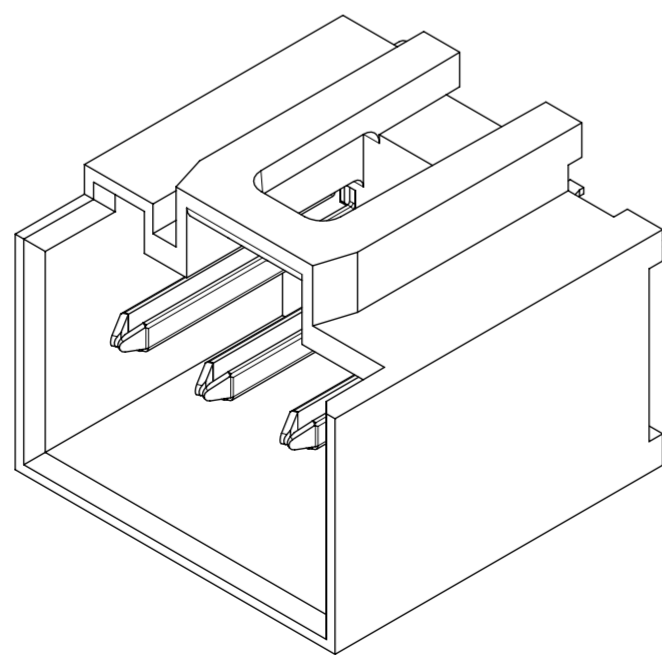
WITHOUT TPA



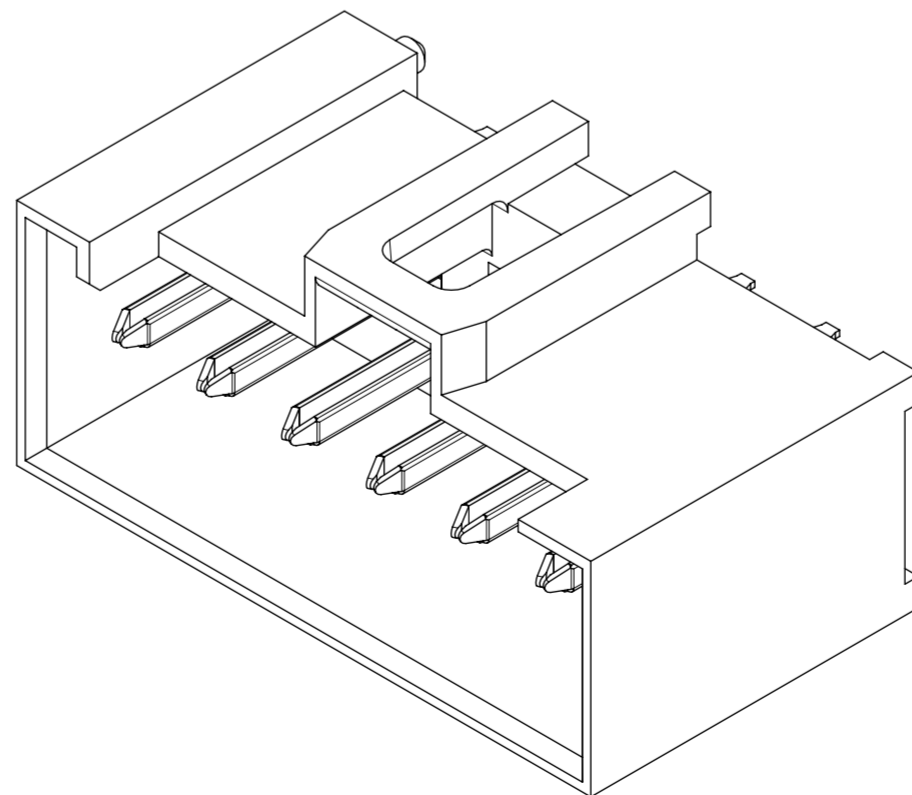
ISOMETRIC VIEW 2 CKT



ISOMETRIC VIEW 3 CKT



ISOMETRIC VIEW 6 CKT



THIS DRAWING CONTAINS INFORMATION THAT IS PROPRIETARY TO MOLEX ELECTRONIC TECHNOLOGIES, LLC AND SHOULD NOT BE USED WITHOUT WRITTEN PERMISSION

DIMENSION UNITS	SCALE	CURRENT REV DESC:						
mm	4:1							
GENERAL TOLERANCES (UNLESS SPECIFIED)		EC NO: 706747		KK PLUS 396 SHROUDED HEADER ASSEMBLY PRODUCT CUSTOMER DRAWING				
ANGULAR TOL ± 0.5°		DRWN: SHRUTJ 2022/04/27						
4 PLACES ±		CHK'D: SHRUTJ 2022/05/13						
3 PLACES ±		APPR: ISHWARG 2022/05/13		DOCUMENT NUMBER				
2 PLACES ± 0.2		INITIAL REVISION:		2074790000-SD		DOC TYPE	DOC PART	REVISION
1 PLACE ± 0.25		DRWN: GGUNAGI 2018/09/19		PSD		000	C2	
0 PLACES ±		APPR: NCSR 2019/02/05		MATERIAL NUMBER		CUSTOMER		SHEET NUMBER
DRAFT WHERE APPLICABLE MUST REMAIN WITHIN DIMENSIONS		THIRD ANGLE PROJECTION		DRAWING	SERIES	GENERAL MARKET		2 OF 2
				A2-SIZE	207479			

DOCUMENT STATUS	P1	RELEASE DATE	2022/05/13	18:11:36
-----------------	----	--------------	------------	----------