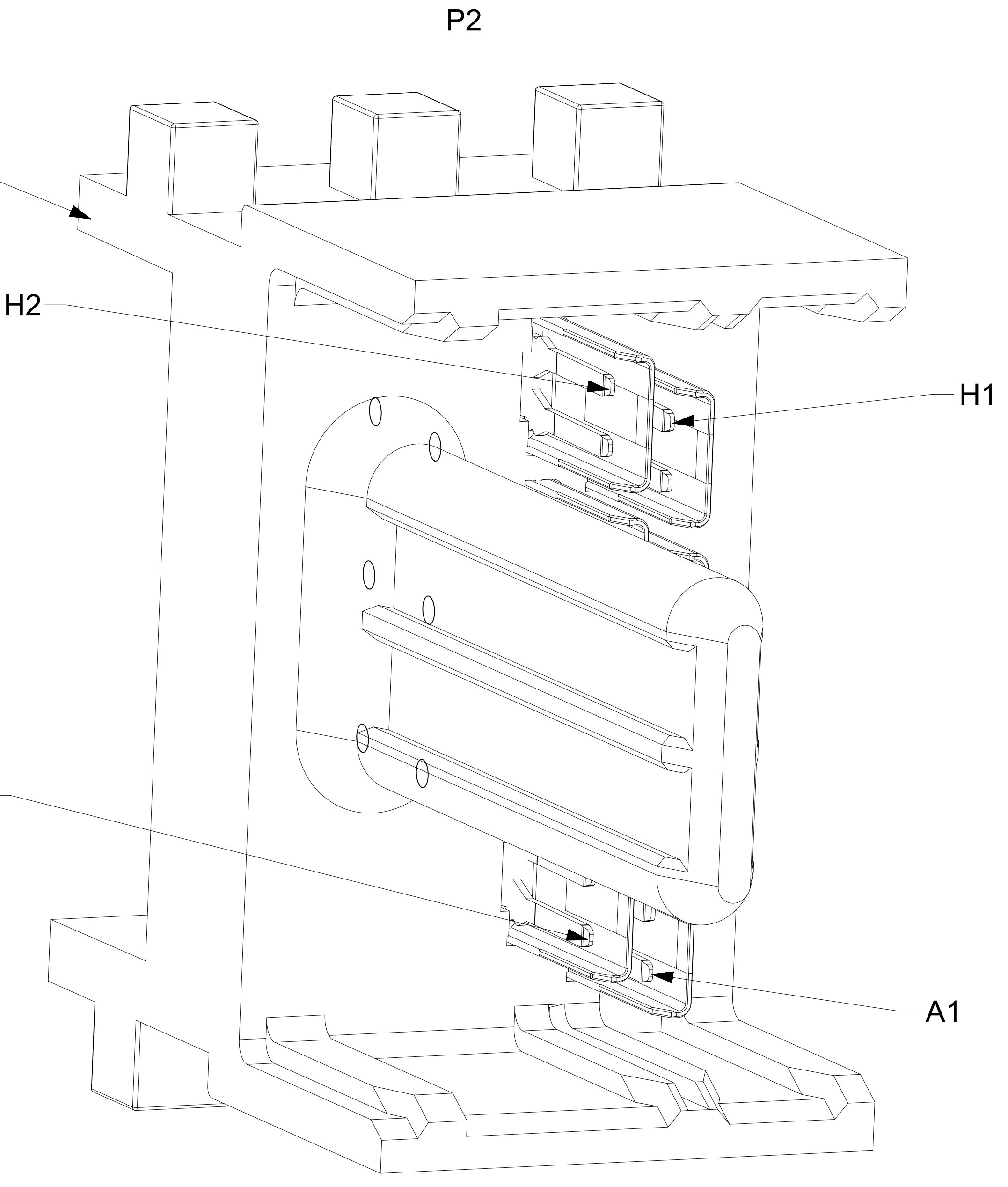


HEATSHRINK NOT SHOWN
IN THESE VIEWS

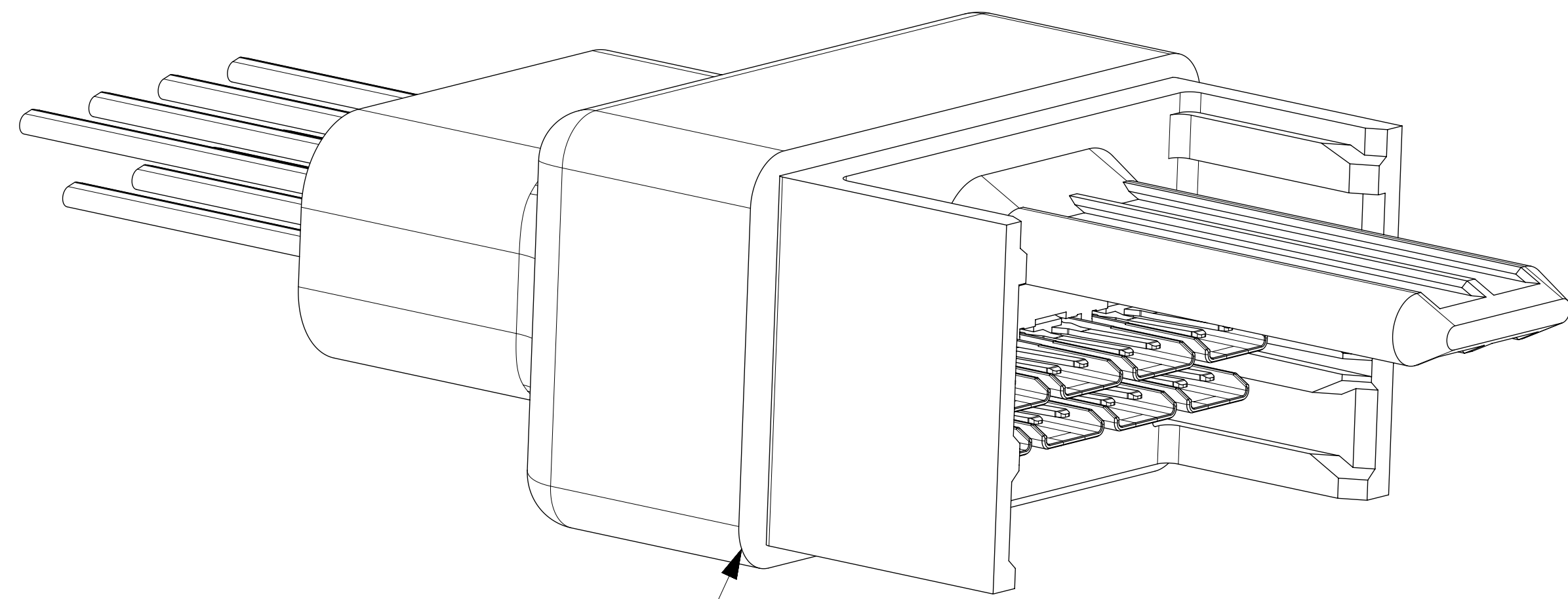


COLUMN	
P1	P2
A1	A2
B1	B2
C1	C2
D1	D2
E1	G2
F1	H2
G1	E2
H1	F2
A2	A1
B2	B1
C2	C1
D2	D1
E2	G1
F2	H1
G2	E1
H2	F1

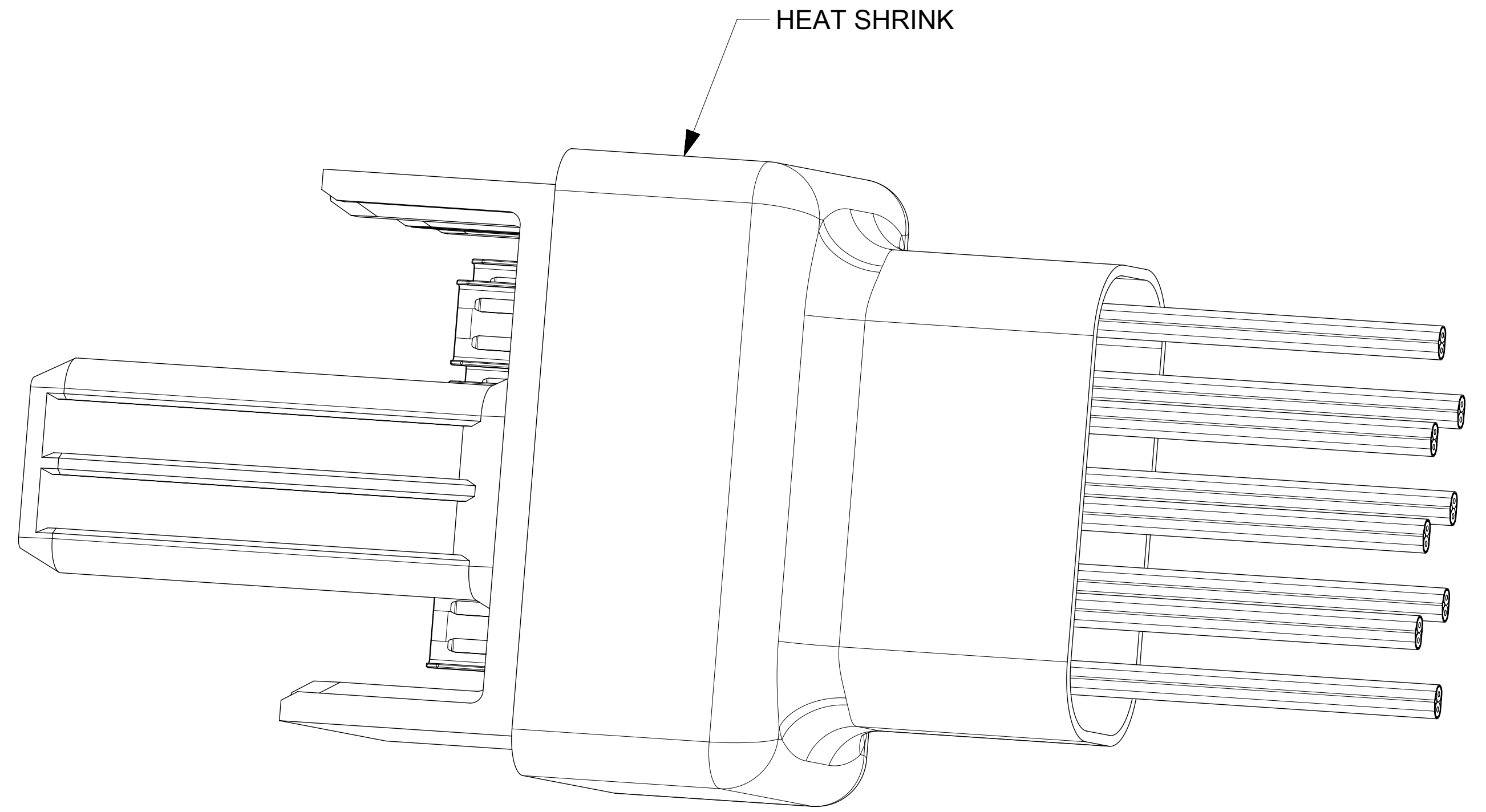
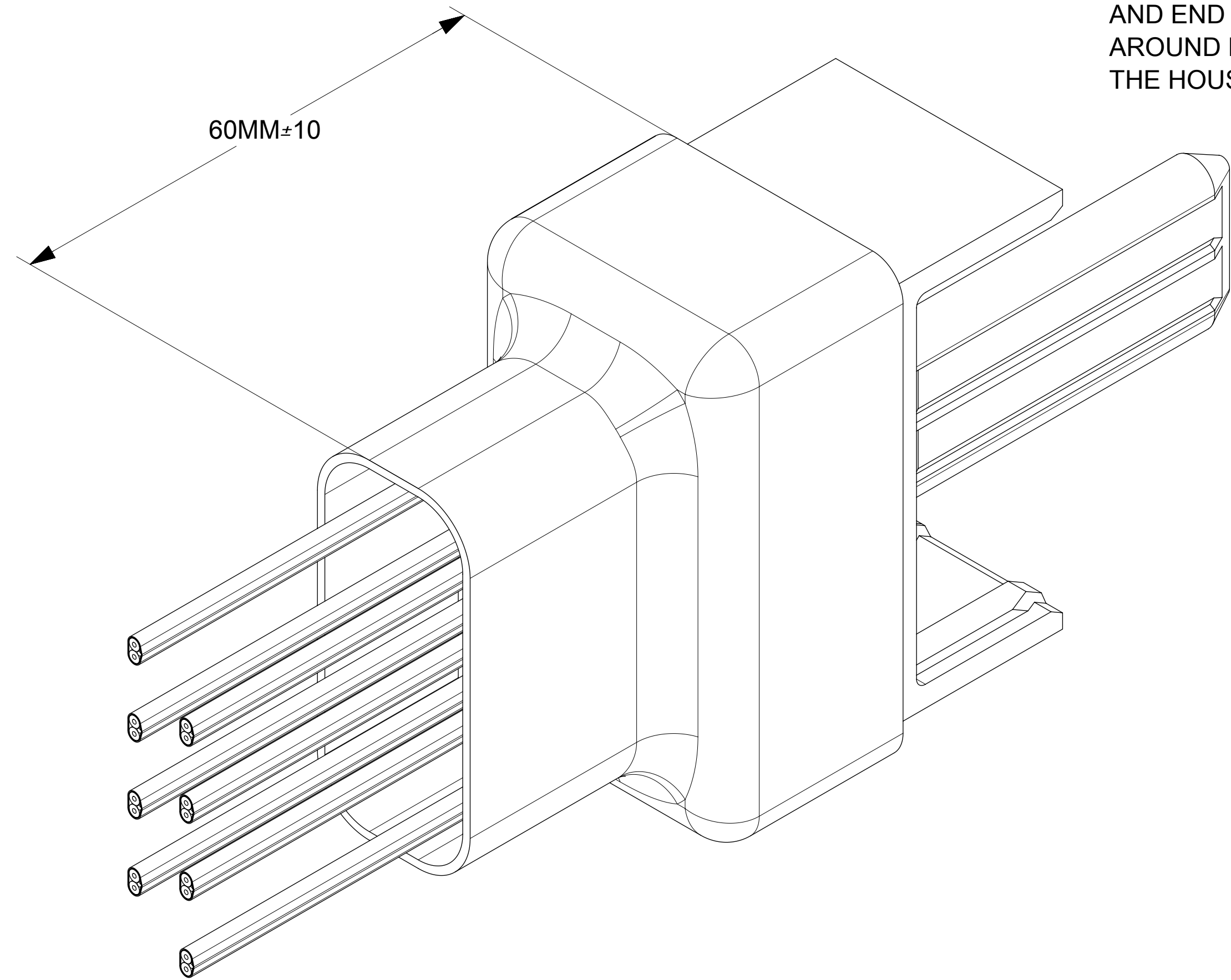
SL No.	PART #	LENGTH DIM "A"	TOLERANCE
1	2033879011	703	±8
2	2033879031	1000	±8
3	2033879030	1500	±8

NOTES:
 1. CABLE: 30 AWG, 90 OHM TWINAX
 2. CONTACT MATERIAL: COPPER ALLOY
 3. CONTACT PLATING: GOLD OVER NICKEL
 4. WAFER OVERMOLDING MATERIAL: BLACK POLYCARBONATE
 5. HOUSING MATERIAL: LIQUID CRYSTAL POLYMER
 6. RoHS COMPLIANT, NO EXEMPTIONS
 7. IT IS UNDERSTOOD AND AGREED THAT NO GUARANTEE OF COMPLIANCE TO ANY CUSTOMER SPECIFICATION OR MOLEX SPECIFICATION NOT LISTED ON THIS DRAWING IS MADE OR IMPLIED.
 8. THE HEATSHRINK SHOWN IS A "REPRESENTATION" OF HOW THE ACTUAL HEAT SHRINK MAY APPEAR ON THE ACTUAL CABLE ASSEMBLIES. THE ACTUAL APPEARANCE WILL VARY.

SYMBOLS	THIS DRAWING CONTAINS INFORMATION THAT IS PROPRIETARY TO MOLEX ELECTRONIC TECHNOLOGIES, LLC AND SHOULD NOT BE USED WITHOUT WRITTEN PERMISSION		CURRENT REV DESC: SEE REVISION TABLE			
	DIMENSION UNITS	SCALE				
▽ = 0	mm	10:1	EC NO: 617016		IMPEL TEST CABLE ASSY, CROSSOVER	
▽ = 0	GENERAL TOLERANCES (UNLESS SPECIFIED)		DRWN: BREVANSIDDAB 2019/02/13		PRODUCT CUSTOMER DRAWING	
▽ = 0	ANGULAR TOL ± 0.5°		CHK'D: KJANOTA 2019/05/28		DOCUMENT NUMBER	
▽ = 0	4 PLACES ±		APPR: KJANOTA 2019/05/28		2033879011	
▽ = 0	3 PLACES ±		INITIAL REVISION:		DOC TYPE	
▽ = 0	2 PLACES ± 0.13		DRWN: NSRIVATSAHS 2017/10/13		PSD	
▽ = 0	1 PLACE ± 0.25		APPR: CHIRSCHY 2018/06/28		000	
▽ = 0	0 PLACES ±		THIRD ANGLE PROJECTION		C	
▽ = 0	DRAFT WHERE APPLICABLE MUST REMAIN WITHIN DIMENSIONS		DRAWING		REVISION	
▽ = 0			D-SIZE		203387	
			SERIES		MATERIAL NUMBER	
			203387		SEE TABLE	
			DRAWING		CUSTOMER	
			D-SIZE		GENERAL MARKET	
			SERIES		SHEET NUMBER	
			203387		1 OF 5	



THERE MAY BE SOME GAP BETWEEN BACK OF HOUSING AND END OF HEAT SHRINK AROUND PERIMETER OF THE HOUSING, 3MM MAX. GAP



SYMBOLS	THIS DRAWING CONTAINS INFORMATION THAT IS PROPRIETARY TO MOLEX ELECTRONIC TECHNOLOGIES, LLC AND SHOULD NOT BE USED WITHOUT WRITTEN PERMISSION		
	DIMENSION UNITS	SCALE	CURRENT REV DESC: SEE REVISION TABLE
▽ = 0	mm	6:1	<p>molex</p> <p>IMPEL TEST CABLE ASSY, CROSSOVER</p> <p>PRODUCT CUSTOMER DRAWING</p>
▽ = 0	GENERAL TOLERANCES (UNLESS SPECIFIED)		
▽ = 0	ANGULAR TOL ± 0.5°		
▽ = 0	4 PLACES	±	
▽ = 0	3 PLACES	±	
▽ = 0	2 PLACES	± 0.13	<p>EC NO: 617016</p> <p>DRWN: BREVANSIDDAB 2019/02/13</p> <p>CHK'D: KJANOTA 2019/05/28</p> <p>APPR: KJANOTA 2019/05/28</p>
▽ = 0	1 PLACE	± 0.25	
▽ = 0	0 PLACES	±	
☒ = 0	DRAFT WHERE APPLICABLE MUST REMAIN WITHIN DIMENSIONS		INITIAL REVISION:
■ = 0	THIRD ANGLE PROJECTION		DRWN: NSRIVATSAHS 2017/10/13
▽ = 0	DRAWING		APPR: CHIRSCHY 2018/06/28
	SERIES		DOCUMENT NUMBER
	D-SIZE		2033879011
	MATERIAL NUMBER		DOC TYPE
	SEE SHEET 1		PSD
	CUSTOMER		DOC PART
	GENERAL MARKET		000
	SHEET NUMBER		REVISION
	2 OF 5		C

LABEL DETAILS



YYDDLXXXX = SERIAL NO.:

YY = THE LAST TWO DIGITS OF THE YEAR

DDD = THE DAY OF THE YEAR

L = LOCATION:

1 = USA

2 = MEXICO

3 = CHINA

4 = PHILLIPINES

XXXX = SERIES No. (0000~9999)

NOTES:

1. LABEL REQUIREMENT - ARIAL UNICOD MS FONT. FONT HEIGHT AROUND 2MM. GAP BETWEEN TEXT AND BARCODE 1.5MM MAX. BARCODE HEIGHT AROUND 6MM. BARCODE 128 B.

SYMBOLS		THIS DRAWING CONTAINS INFORMATION THAT IS PROPRIETARY TO MOLEX ELECTRONIC TECHNOLOGIES, LLC AND SHOULD NOT BE USED WITHOUT WRITTEN PERMISSION						
DIMENSION UNITS	SCALE	CURRENT REV DESC: SEE REVISION TABLE						
= 0	mm	1:1	 IMPEL TEST CABLE ASSY, CROSSOVER PRODUCT CUSTOMER DRAWING					
= 0	GENERAL TOLERANCES (UNLESS SPECIFIED)					EC NO: 617016		
= 0	ANGULAR TOL ± 0.5°					DRWN: BREVANSIDDAB 2019/02/13		
= 0	4 PLACES ±					CHK'D: KJANOTA 2019/05/28		
= 0	3 PLACES ±					APPR: KJANOTA 2019/05/28		
= 0	2 PLACES ± 0.13		INITIAL REVISION:					
= 0	1 PLACE ± 0.25		DRWN: NSRIVATSAHS 2017/10/13		DOCUMENT NUMBER 2033879011			
= 0	0 PLACES ±		APPR: CHIRSCHY 2018/06/28			DOC TYPE PSD		
= 0	DRAFT WHERE APPLICABLE MUST REMAIN WITHIN DIMENSIONS		THIRD ANGLE PROJECTION	DRAWING	SERIES	MATERIAL NUMBER	CUSTOMER	SHEET NUMBER
= 0				D-SIZE	203387	SEE SHEET 1	GENERAL MARKET	4 OF 5

