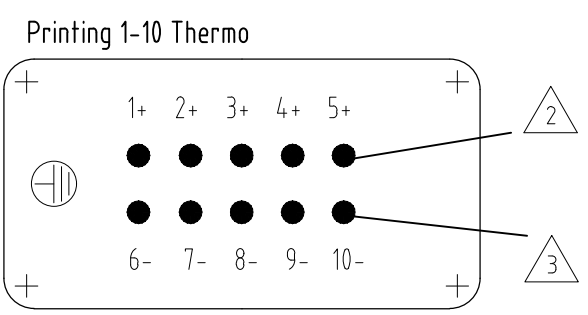
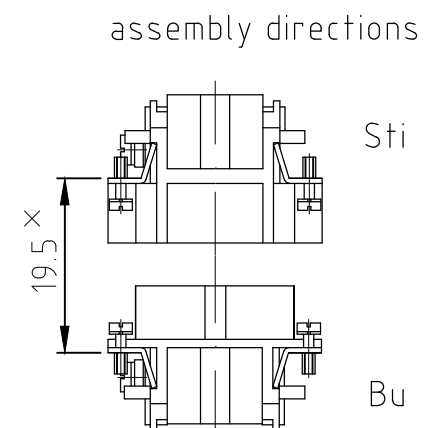
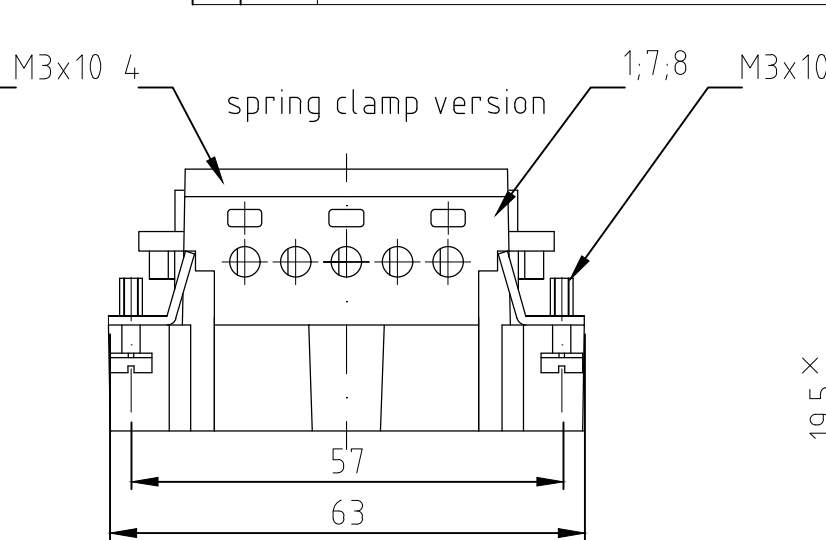
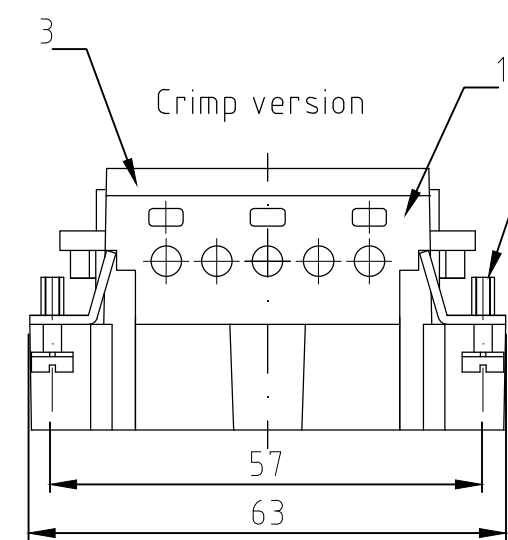
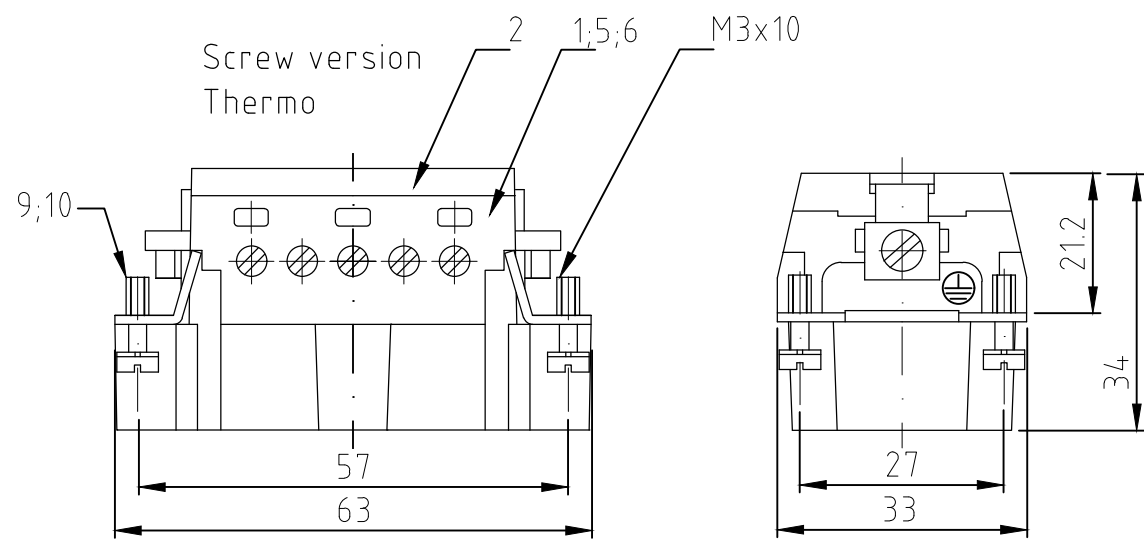


THIS DRAWING IS UNPUBLISHED.
VERTRAULICHE UNVERÖFFENTLICHTE ZEICHNUNG

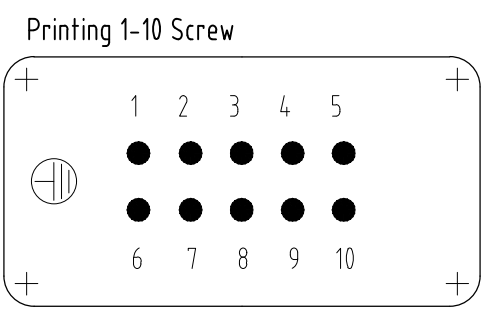
RELEASED FOR PUBLICATION
FREI FUER VERÖFFENTLICHUNG
ALL RIGHTS RESERVED.
ALLE RECHTE VORBEHALTEN

REVISIONS
ÄNDERUNGEN

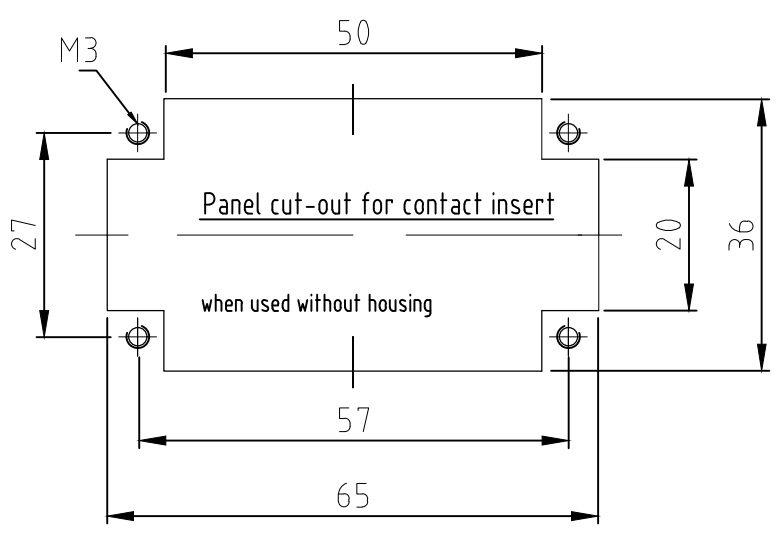
P	LTR	DESCRIPTION BESCHREIBUNG	DATE	DWN	APVD
	A9	REVISED PER ECR-17-014412	03APR18	NG	MKO



Contact arrangement
view from termination side



- NOTES:
- 1 SUITABLE CRIMP CONTACTS: SERIES HE/HA
OUTER DIMENSIONS OF INSULATION: MAX. Ø3,2 MM
 - 2 SUITABLE HOOD SIZE 4: SERIES HB, HD,HIP,EMV
SUITABLE INSERTION AND EXTRACTION TOOL:
SCREWDRIVER 0,5x3 DIN 5264
 - 3 Strip length: Screw conection 10mm
Spring clamp conection 10mm Crimp conection 7.5mm
 - 4 STANDARDS:
DIN EN 61984; DIN EN 60664-1
 - 5 PACKAGING:
5 SETS IN A CARTON, PRE-MOUNTED
 - 6 SPECIAL PACKAGING: Krauss-Maffei
PACKAGING UNIT: 250 PIECES



OBSOLETE	OBSOLETE	OBSOLETE	OBSOLETE	SUPERSEDED BY T204.0103101-000	SUPERSEDED BY T204.0104.101-000	OBSOLETE	DESCRIPTION / BENENNUNG	MATERIAL	SURFACE	COLOR	ITEM NO. POS.	NOTES
		4					fixing screw	stainless steel	even		10	M3x10
4	4		4	4	4	4	fixing screw	steel	nickel plated	blue	9	M3x10
10							contact spring clamp	brass	gold plated		8	
				10			contact pin	brass	silver plated		7	
			10				contact screw termination	brass	gold plated		6	
	10	10				10	contact screw termination	brass	silber plated		5	
1				1			cover spring version			light grey	4	
				1			cover crimp version			light grey	3	
	1	1	1			1	cover screw version			light grey	2	
1	1	1	1	1	1	1	pin insert			light grey	1	

ORDERING TEXT / BESTELL TEXT	THIS DRAWING IS A CONTROLLED DOCUMENT. DIESE ZEICHNUNG IST EIN KONTROLLIERTES DOKUMENT.		DWN Gräf 10.02.1999	 TE Connectivity Male insert HE.10.STI.S/C
	DIMENSIONS: MASSE/NEHTEN: mm		CHK Schweiger 18.02.1999	
	TOLERANCES UNLESS OTHERWISE SPECIFIED: ALLGEMEINTOLERANZEN		APVD - NAME	
	0 PLC ± 1 PLC ± 2 PLC ± 3 PLC ± 4 PLC ± ANGLES / WINKEL ±-		PRODUCT SPEC PRODUKTSPEZ.	
MATERIAL		FINISH/OBERFLAECHE/FARBE	APPLICATION SPEC VERARBEITUNGSSPEZ.	SIZE A3
CUSTOMER DRAWING/KUNDENZEICHNUNG			WEIGHT GEWICHT	CAGE CODE 00779
			SCALE MASSTAB 1:1	DRAWING NO ZEICHNUNGS-NR. G-1103636
			SHEET BLATT 1 OF VON 1	RESTRICTED TO NUR FUER
			REV A9	