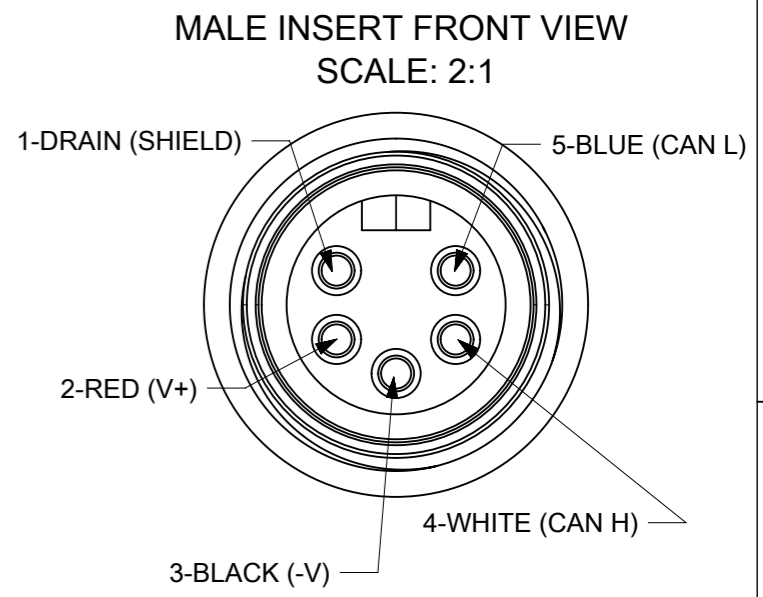
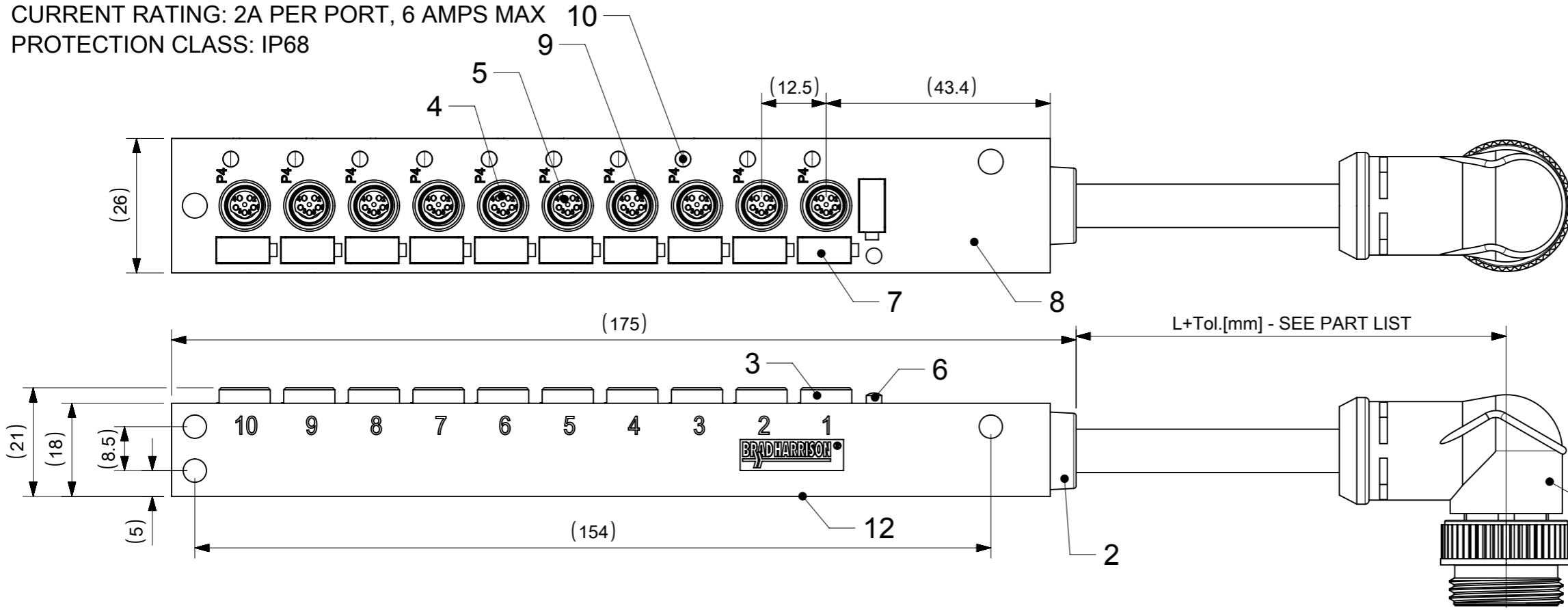
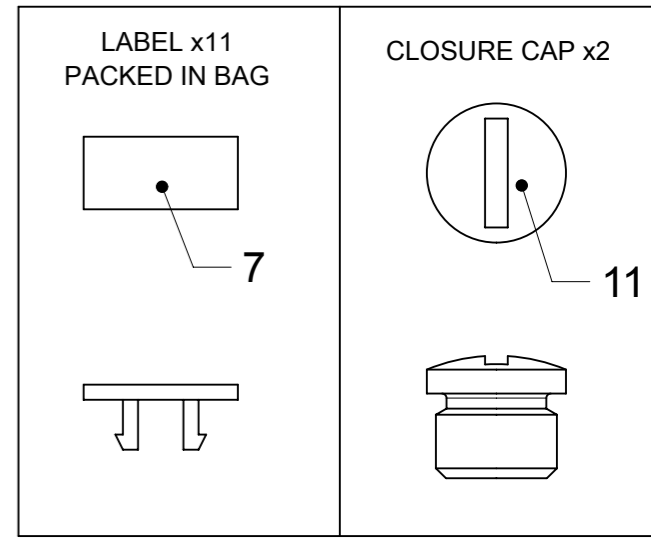
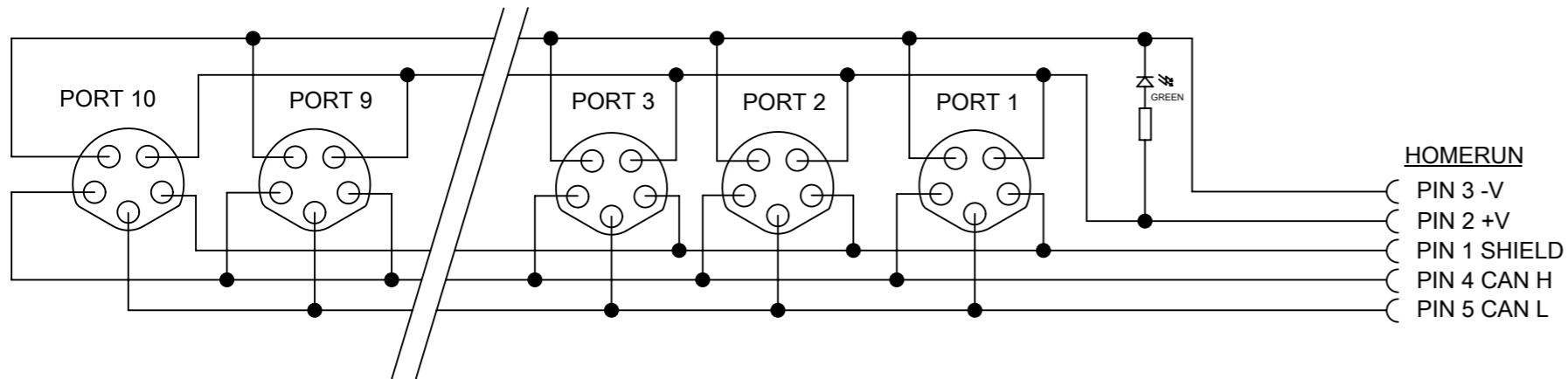


ELECTRICAL SPECIFICATION:

VOLTAGE: 10-30V DC  
 CURRENT RATING: 2A PER PORT, 6 AMPS MAX  
 PROTECTION CLASS: IP68



WIRING DIAGRAM



BOM

ITEM	QTY	DESCRIPTION	MATERIAL	FINISH/COLOR
12	-	POTTING MATERIAL	WEVO	-
11	2	BLANKING PLUG - M8 MALE	DURETHAN B30S	BLACK
10	10	MPIS-LED Lens YE single	ULTRADUR B4406 G2	YELLOW
9	10	GASKET OR FKM 5.0X0.8 RD 70	FKM	RED
8	1	M8-MPIS 3P-10 PORT HOUSING YEL	PBT	YELLOW
7	11	LABEL;M8-MPIS-PORT PLASTIC	PVC	WHITE
6	1	FIBER-OPTIC PA TR HB D3.6XL9.4 DBO MPIS	GRILLAMID TR 55 LX NATURAL	TRANSPARENT
5	50	CONTACT 10 FE TUR AG SO	BRASS	GOLD OVER Ni- PLATED
4	10	M8-5 POLE FEMALE INSERT	PUR	BLACK
3	10	SPECIAL M8-MPIS REC. SHELL	CZ121 Pb3	BRIGHT NICKEL PLATED
2	1	M8-MPIS CABLE PLATE-DIA 8.4mm	ULTRADUR B4406 G2	YELLOW
1	-	MC 5P M/MP 1M 90D MID	-	-

PART LIST

MOLEX PN	ENGINEERING NO	L+Tol.[mm]
1300380011	BG19955-M002	200 ±25
1300380021	BG19955-M003	300 ±25
1300380022	BG19955-M005	500 ±25
1300380023	BG19955-M007	700 ±25

SYMBOLS ▽ = 0 ▽ = 0 ▽ = 0 ▽ = 0 ▽ = 0 ▽ = 0 ▽ = 0 ▽ = 0 ▽ = 0	THIS DRAWING CONTAINS INFORMATION THAT IS PROPRIETARY TO MOLEX ELECTRONIC TECHNOLOGIES, LLC AND SHOULD NOT BE USED WITHOUT WRITTEN PERMISSION		DIMENSION UNITS: mm SCALE: 1:1		CURRENT REV DESC: EC NO: 606442 DRWN: MKOWALCZYK01 2018/10/19 CHK'D: DSTACHOWIAK 2018/10/25 APPR: DSTACHOWIAK 2018/10/25		<p>M8 10 PORT MPIS                  DEVICENET 90 DEG HOMERUN CONNECTOR</p> <p>PRODUCT CUSTOMER DRAWING</p> <p>DOCUMENT NUMBER: SD-130038-003                  DOC TYPE: PSD                  DOC PART: 001                  REVISION: A1</p> <p>MATERIAL NUMBER: SEE PART LIST                  CUSTOMER: GENERAL MARKET                  SHEET NUMBER: 1 OF 1</p>	
	GENERAL TOLERANCES (UNLESS SPECIFIED) ANGULAR TOL ± 2.0° 4 PLACES ± 3 PLACES ± 2 PLACES ± 1 PLACE ± 0.3 0 PLACES ±		INITIAL REVISION: DRWN: RSTONE 2010/12/06 APPR: JFMURPHY 2011/01/24					
	DRAFT WHERE APPLICABLE MUST REMAIN WITHIN DIMENSIONS		THIRD ANGLE PROJECTION DRAWING: A3-SIZE SERIES: 130038					