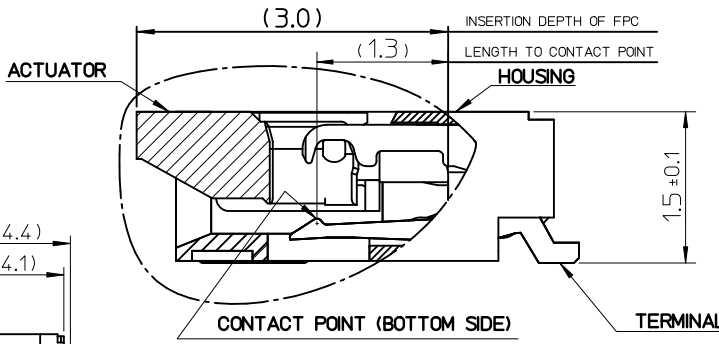
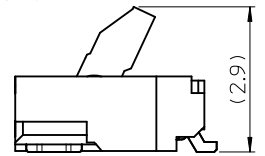


SECTION X-X



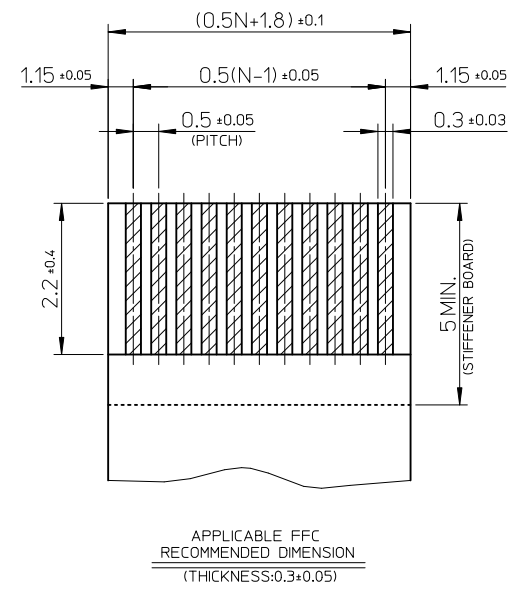
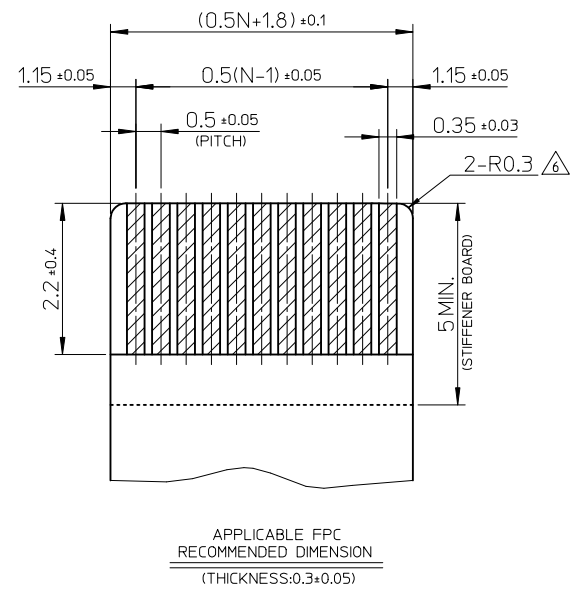
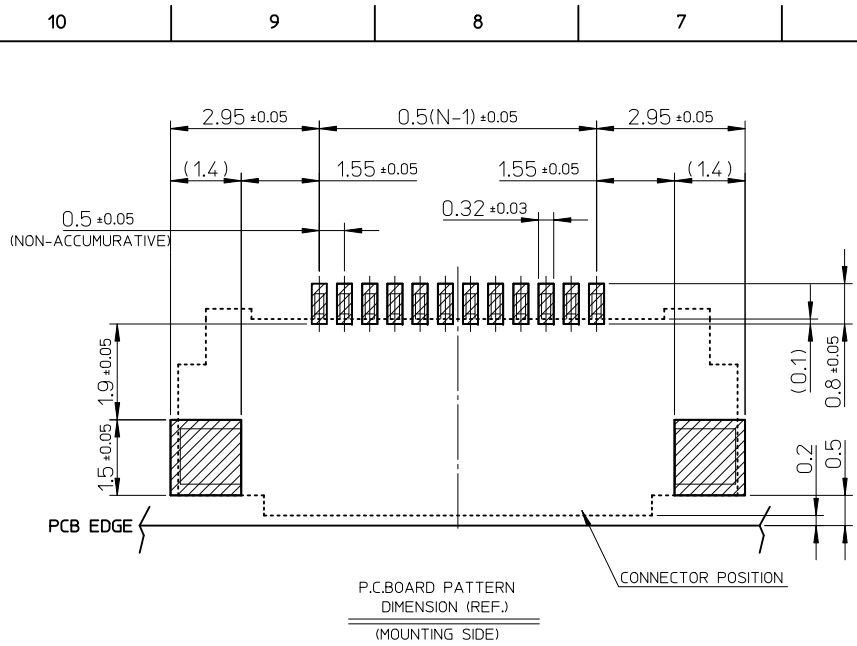
SECTION y-y



(WHEN ACUTATOR IS OPENED)

104075-6817	68
ORDER NO.	CKT

NEW RELEASED EC NO: KOR2012-0020 DRWN: JHLEE05 2011/11/18 CHKD: KSKIM 2011/11/18 APPR: YUNSIKKIM 2011/11/29	QUALITY SYMBOLS = 0 = 0	GENERAL TOLERANCES (UNLESS SPECIFIED)		DIMENSION STYLE MM ONLY		SCALE 5:1	DESIGN UNITS METRIC	THIRD ANGLE PROJECTION																														
		<table border="1"> <thead> <tr> <th></th> <th>mm</th> <th>INCH</th> </tr> </thead> <tbody> <tr> <td>4 PLACES</td> <td>± ---</td> <td>± ---</td> </tr> <tr> <td>3 PLACES</td> <td>± ---</td> <td>± ---</td> </tr> <tr> <td>2 PLACES</td> <td>± 0.2</td> <td>± ---</td> </tr> <tr> <td>1 PLACE</td> <td>± 0.3</td> <td>± ---</td> </tr> </tbody> </table>			mm	INCH	4 PLACES	± ---	± ---	3 PLACES	± ---	± ---	2 PLACES	± 0.2	± ---	1 PLACE	± 0.3	± ---	<table border="1"> <thead> <tr> <th>DRAWN BY</th> <th>DATE</th> <th>TITLE</th> </tr> </thead> <tbody> <tr> <td>JHLEE05</td> <td>2011/11/18</td> <td rowspan="4"> 0.5MM FPC/FFC FRONTFLIP SLIM CNT 680(H=1.5) HOUSING ASS'Y MOLEX INCORPORATED </td> </tr> <tr> <td>CHECKED BY</td> <td>DATE</td> </tr> <tr> <td>KSKIM</td> <td>2011/11/18</td> </tr> <tr> <td>APPROVED BY</td> <td>DATE</td> </tr> <tr> <td>YUNSIKKIM</td> <td>2011/11/29</td> <td> SD-104075-001 </td> </tr> </tbody> </table>		DRAWN BY	DATE	TITLE	JHLEE05	2011/11/18	0.5MM FPC/FFC FRONTFLIP SLIM CNT 680(H=1.5) HOUSING ASS'Y MOLEX INCORPORATED	CHECKED BY	DATE	KSKIM	2011/11/18	APPROVED BY	DATE	YUNSIKKIM	2011/11/29	SD-104075-001	MATERIAL NO. SEE TABLE	DOCUMENT NO. SD-104075-001	SHEET NO. 1 OF 3
			mm	INCH																																		
		4 PLACES	± ---	± ---																																		
3 PLACES	± ---	± ---																																				
2 PLACES	± 0.2	± ---																																				
1 PLACE	± 0.3	± ---																																				
DRAWN BY	DATE	TITLE																																				
JHLEE05	2011/11/18	0.5MM FPC/FFC FRONTFLIP SLIM CNT 680(H=1.5) HOUSING ASS'Y MOLEX INCORPORATED																																				
CHECKED BY	DATE																																					
KSKIM	2011/11/18																																					
APPROVED BY	DATE																																					
YUNSIKKIM	2011/11/29	SD-104075-001																																				
DRAFT WHERE APPLICABLE MUST REMAIN WITHIN DIMENSIONS		SIZE A3		THIS DRAWING CONTAINS INFORMATION THAT IS PROPRIETARY TO MOLEX INCORPORATED AND SHOULD NOT BE USED WITHOUT WRITTEN PERMISSION																																		



NOTES

- MATERIAL**
 HOUSING ACTUATOR: LCP GLASS FILLED, UL94V-0(NATURAL) / PPS GLASS FILLED, UL94V-0(BLACK) (CHLORINE CONTROLLED MATERIAL)
 TERMINAL FITTING NAIL: PHOSPHOR BRONZE
- PLATING**
 TERMINAL: SELECTIVE GOLD[Au] OVER NICKEL[Ni] PLATING.
 CONTACT AREA: GOLD[Au] 0.1 MICROMETER MIN. OVER NICKEL[Ni] 1.0 MICROMETER MIN.(UNDER PLATING)
 SOLDER AREA: GOLD[Au] 0.05 MICROMETER MIN. OVER NICKEL[Ni] 1.0 MICROMETER MIN.(UNDER PLATING)
 FITTING NAIL: TIN[Sn] OVER NICKEL[Ni] PLATING.
 Tin[Sn] 1~3 MICROMETER.
 NICKEL[Ni] 1~3 MICROMETER (UNDER PLATING)
- PRODUCT SPECIFICATION**: PS-104075-001
PACKING SPECIFICATION: PK-104075-001
- ACTUATOR IS CLOSED IN THE EMBOSSED PACKING
- FITTING NAIL FOR PREVENTION OF PEELING OF PCB PATTERN.
- R0.3 MUST NOT BE OVERLAPPED TO PATTERN OF FPC.
- N : CIRCUIT.
- COPLANARITY IS 0.10MAX.

ABOUT FPC/FFC

RECOMMENDED PUNCHER DIRECTION : FROM CONDUCTOR SIDE TO STIFFENER FILM SIDE.
 RECOMMENDED CONDUCTOR THICKNESS OF SOFT COPPER FOIL : 35 μm OR 50 μm.

ABOUT FPC

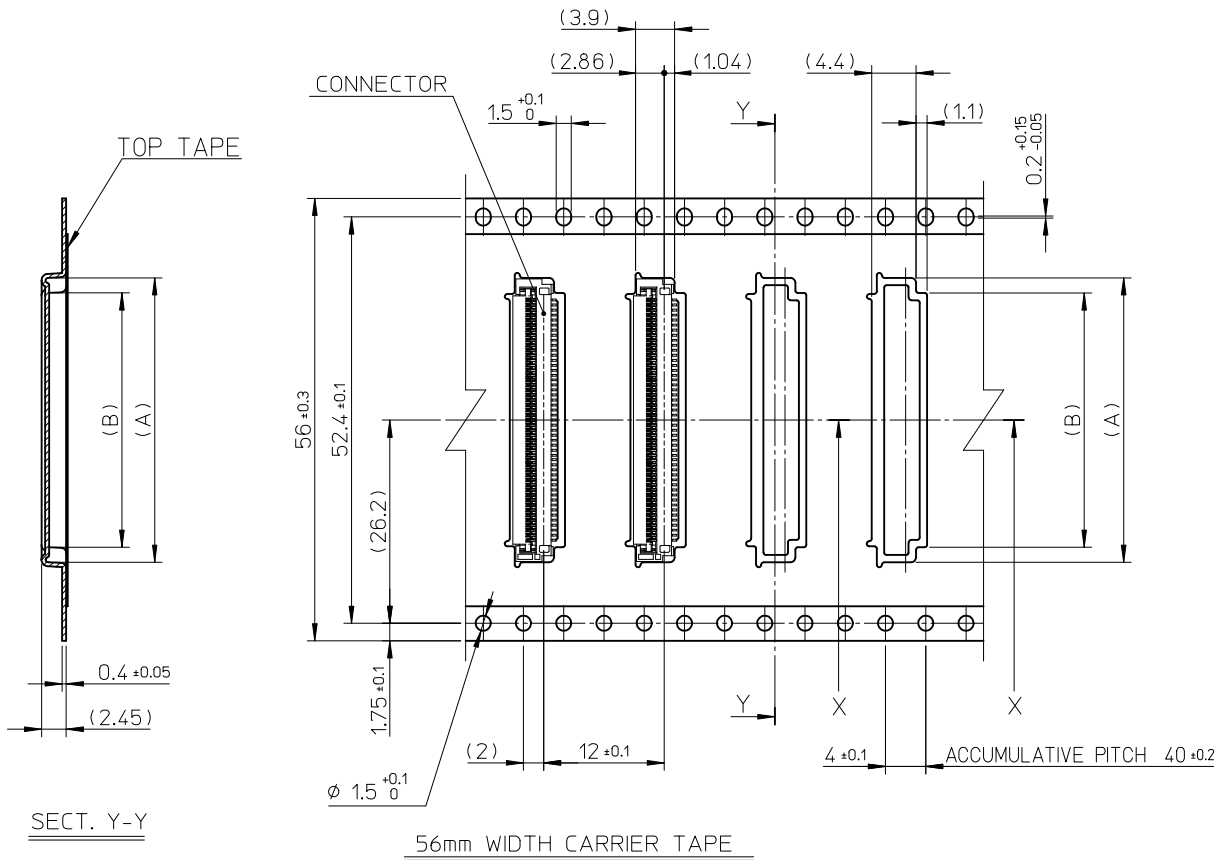
RECOMMENDED MATERIAL/THICKNESS.
 STIFFENER FILM : POLYIMIDE
 BONDING AGENT : THERMOSETTING BONDING AGENT
 BASE FILM THICKNESS : 25 μm
 PLEASE PUT APPROPRIATE AMOUNT OF ADHESIVE ON THE CONTACT AREA BECAUSE THE EXTRA ADHESIVE MAY CAUSE THE DEFECT IN ELECTRICAL CONTINUITY.

ABOUT METAL MASK

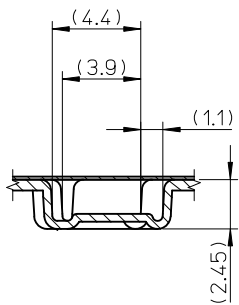
RECOMMENDED METAL MASK THICKNESS : 0.12μ
 RECOMMENDED METAL MASK OPEN RATIO : OVER 100%

NEW RELEASED EC NO: KOR2012-0020 DRWN: JHLEE05 2011/11/18 CHKD: KSKIM 2011/11/18 APPR: YUNSIKKIM 2011/11/29	QUALITY SYMBOLS ▽=0 ◻=0	GENERAL TOLERANCES (UNLESS SPECIFIED)		DIMENSION STYLE MM ONLY	SCALE 10:1	DESIGN UNITS METRIC	THIRD ANGLE PROJECTION		
			mm	INCH	DRAWN BY	DATE	TITLE		
		4 PLACES	± ---	± ---	JHLEE05	2011/11/18	0.5MM FPC/FFC FRONTFLIP SLIM CNT 680(H=1.5) HOUSING ASS'Y		
		3 PLACES	± ---	± ---	CHECKED BY	DATE			
2 PLACES	± 0.2	± ---	KSKIM	2011/11/18	MOLEX INCORPORATED				
1 PLACE	± 0.3	± ---	APPROVED BY	DATE					
ANGULAR ± 1 °		DRAFT WHERE APPLICABLE MUST REMAIN WITHIN DIMENSIONS		YUNSIKKIM	2011/11/29	DOCUMENT NO.		SHEET NO.	
				1040756817		SD-104075-001		2 OF 3	
				THIS DRAWING CONTAINS INFORMATION THAT IS PROPRIETARY TO MOLEX INCORPORATED AND SHOULD NOT BE USED WITHOUT WRITTEN PERMISSION					

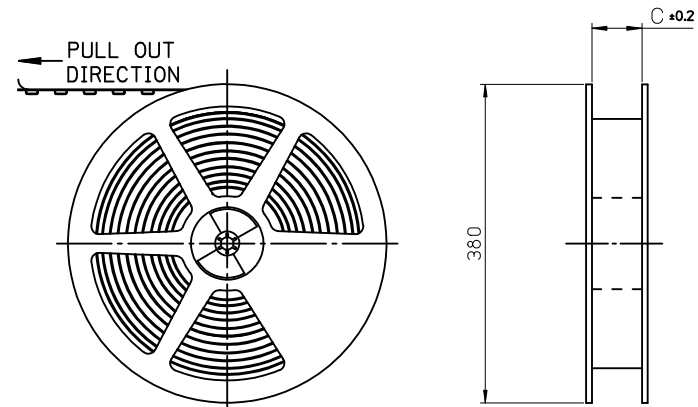
PULL OUT DIRECTION



SECT. Y-Y



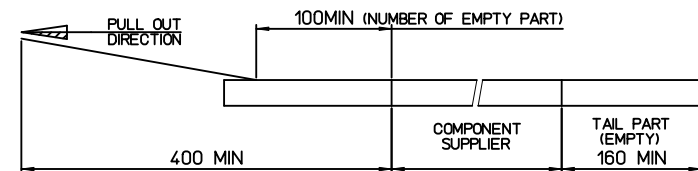
SECT. X-X



PLASTIC BOBBIN

NOTES

1. QUANTITY OF CONNECTORS : 3000PCS/REEL
2. LEAD LENGTH



3. THIS PRODUCT IS HALOGEN FREE (LV.2)

56	57.5	36.29	39.3	104075-6817	68
CARRIER TAPE WIDTH	C	(B)	(A)	ORDER No.	Ckt

<p>NEW RELEASED EC NO: KOR2012-0020 DRWN: JHLEE05 2011/11/18 CHKD: KSKIM 2011/11/18 APPR: YUNSIKKIM 2011/11/29</p>	<p>QUALITY SYMBOLS ▽=0 ◻=0</p>	<p>GENERAL TOLERANCES (UNLESS SPECIFIED)</p>		<p>DIMENSION STYLE MM ONLY</p>		<p>SCALE 5:1</p>		<p>DESIGN UNITS METRIC</p>		<p>THIRD ANGLE PROJECTION</p>																															
		<table border="1"> <tr> <th></th> <th>mm</th> <th>INCH</th> </tr> <tr> <td>4 PLACES</td> <td>± ---</td> <td>± ---</td> </tr> <tr> <td>3 PLACES</td> <td>± ---</td> <td>± ---</td> </tr> <tr> <td>2 PLACES</td> <td>± 0.2</td> <td>± ---</td> </tr> <tr> <td>1 PLACE</td> <td>± 0.3</td> <td>± ---</td> </tr> </table>			mm	INCH	4 PLACES	± ---	± ---	3 PLACES	± ---	± ---	2 PLACES	± 0.2	± ---	1 PLACE	± 0.3	± ---	<table border="1"> <tr> <th>DRAWN BY</th> <th>DATE</th> <th>TITLE</th> </tr> <tr> <td>JHLEE05</td> <td>2011/11/18</td> <td rowspan="4"> <p>0.5MM FPC/FFC FRONTFLIP SLIM CNT 680(H=1.5) HOUSING ASS'Y</p> </td> </tr> <tr> <th>CHECKED BY</th> <th>DATE</th> </tr> <tr> <td>KSKIM</td> <td>2011/11/18</td> </tr> <tr> <th>APPROVED BY</th> <th>DATE</th> </tr> <tr> <td>YUNSIKKIM</td> <td>2011/11/29</td> <td> <p>MOLEX INCORPORATED</p> </td> </tr> </table>		DRAWN BY	DATE	TITLE	JHLEE05	2011/11/18	<p>0.5MM FPC/FFC FRONTFLIP SLIM CNT 680(H=1.5) HOUSING ASS'Y</p>	CHECKED BY	DATE	KSKIM	2011/11/18	APPROVED BY	DATE	YUNSIKKIM	2011/11/29	<p>MOLEX INCORPORATED</p>	<p>MATERIAL NO.</p>		<p>DOCUMENT NO.</p>		<p>SHEET NO.</p>	
			mm	INCH																																					
		4 PLACES	± ---	± ---																																					
3 PLACES	± ---	± ---																																							
2 PLACES	± 0.2	± ---																																							
1 PLACE	± 0.3	± ---																																							
DRAWN BY	DATE	TITLE																																							
JHLEE05	2011/11/18	<p>0.5MM FPC/FFC FRONTFLIP SLIM CNT 680(H=1.5) HOUSING ASS'Y</p>																																							
CHECKED BY	DATE																																								
KSKIM	2011/11/18																																								
APPROVED BY	DATE																																								
YUNSIKKIM	2011/11/29	<p>MOLEX INCORPORATED</p>																																							
<p>DRAFT WHERE APPLICABLE MUST REMAIN WITHIN DIMENSIONS</p>		<p>SEE TABLE</p>		<p>SD-104075-001</p>		<p>3 OF 3</p>																																			