

MOLEX P/N	AWG	IMPEDANCE (OHM)	LENGTH (mm)	TOLERANCE (+-mm)	DESCRIPTION	PINOUT
1002235100	30	85	152	10	CTRL TO BP	1
1002235101	30	85	300	10	CTRL TO BP	1
1002235102	30	85	500	10	CTRL TO BP	1
1002235103	30	85	600	10	CTRL TO BP	1
1002235104	30	85	1000	15	CTRL TO BP	1
1002235300	30	85	152	10	CTRL TO CTRL	2
1002235301	30	85	300	10	CTRL TO CTRL	2
1002235302	30	85	500	10	CTRL TO CTRL	2
1002235303	30	85	600	10	CTRL TO CTRL	2
1002235304	30	85	1000	15	CTRL TO CTRL	2
1002235400	30	85	152	10	PCIE	3
1002235401	30	85	300	10	PCIE	3
1002235402	30	85	500	10	PCIE	3
1002235403	30	85	600	10	PCIE	3
1002235404	30	85	1000	15	PCIE	3

NOTES:
 1. MATERIAL:
 HOUSING - NYLON, UL94-V0
 LATCH - MOLDED INTO HOUSING
 EXPANDO - PET
 CABLE - TWIN-AX SHIELD: ALUMINIZED POLYESTER FOIL
 SIGNAL AND DRAIN: SOLID COPPER
 PCB - FR4 (HALOGEN FREE)
 2. THIS PRODUCT CONFORMS TO THE MECHANICAL DIMENSIONING OF SFF-8643 AND ELECTRICAL PERFORMANCE REQUIREMENTS OF SAS 3.0
 3. RoHS COMPLIANT. NO EXEMPTIONS

THIS DRAWING CONTAINS INFORMATION THAT IS PROPRIETARY TO MOLEX ELECTRONIC TECHNOLOGIES, LLC AND SHOULD NOT BE USED WITHOUT WRITTEN PERMISSION

DIMENSION UNITS mm	SCALE 2:1	CURRENT REV DESC:	molex		
GENERAL TOLERANCES (UNLESS SPECIFIED)		EC NO: 617908			
ANGULAR TOL ± °		DRWN: CYEH03 2017/12/18	PRODUCT CUSTOMER DRAWING		
4 PLACES ±		CHK'D: VPENG01 2019/05/27	DOCUMENT NUMBER		
3 PLACES ±		APPR: VPENG01 2019/05/27	1002235100		
2 PLACES ±		INITIAL REVISION:	DOC TYPE		
1 PLACE ±		DRWN: CYEH03 2017/12/18	PSD		
0 PLACES ±		APPR: VPENG01 2019/05/27	000		
DRAFT WHERE APPLICABLE MUST REMAIN WITHIN DIMENSIONS	THIRD ANGLE PROJECTION	DRAWING	REVISION		
		D-SIZE	F		
		SERIES	SHEET NUMBER		
		100223	1 OF 3		
		SEE P/N TABLE	GENERAL MARKET		

PINOUT 1

	P1		NC	P2	
		GND		D9	B9
C O N T R O L L E R	TX2-	D8	→	B8	RX2-
	TX2+	D7	→	B7	RX2+
	GND	D6	-----	B6	GND
	TX0-	D5	→	B5	RX0-
	TX0+	D4	→	B4	RX0+
	GND	D3	-----	B3	GND
	SB6	D2	-----	D1	SB6
	SB5	D1	-----	D2	SB5
	SB4	C1	-----	C2	SB4
	SB2	C2	-----	C1	SB2
	GND	C3	-----	A3	GND
	TX1+	C4	→	A4	RX1+
	TX1-	C5	→	A5	RX1-
	GND	C6	-----	A6	GND
	TX3+	C7	→	A7	RX3+
	TX3-	C8	→	A8	RX3-
	GND	C9	NC	A9	GND
	GND	B9	NC	D9	GND
B A C K P L A N E	RX2-	B8	←	D8	TX2-
	RX2+	B7	←	D7	TX2+
	GND	B6	-----	D6	GND
	RX0-	B5	←	D5	TX0-
	RX0+	B4	←	D4	TX0+
	GND	B3	-----	D3	GND
	SB1	B2	-----	B1	SB1
	SB3	B1	-----	B2	SB3
	SB7	A1	-----	A2	SB7
	SB0	A2	-----	A1	SB0
	GND	A3	-----	C3	GND
	RX1+	A4	←	C4	TX1+
	RX1-	A5	←	C5	TX1-
	GND	A6	-----	C6	GND
	RX3+	A7	←	C7	TX3+
	RX3-	A8	←	C8	TX3-
	GND	A9	NC	C9	GND

PINOUT 2

	P1		NC	P2	
		GND		D9	B9
C O N T R O L L E R	TX2-	D8	→	B8	RX2-
	TX2+	D7	→	B7	RX2+
	GND	D6	-----	B6	GND
	TX0-	D5	→	B5	RX0-
	TX0+	D4	→	B4	RX0+
	GND	D3	-----	B3	GND
	SB6	D2	-----	B2	SB1
	SB5	D1	-----	C2	SB2
	SB4	C1	-----	B1	SB3
	SB2	C2	-----	D1	SB5
	GND	C3	-----	A3	GND
	TX1+	C4	→	A4	RX1+
	TX1-	C5	→	A5	RX1-
	GND	C6	-----	A6	GND
	TX3+	C7	→	A7	RX3+
	TX3-	C8	→	A8	RX3-
	GND	C9	NC	A9	GND
	GND	B9	NC	D9	GND
C O N T R O L L E R	RX2-	B8	←	D8	TX2-
	RX2+	B7	←	D7	TX2+
	GND	B6	-----	D6	GND
	RX0-	B5	←	D5	TX0-
	RX0+	B4	←	D4	TX0+
	GND	B3	-----	D3	GND
	SB1	B2	-----	D2	SB6
	SB3	B1	-----	C1	SB4
	SB7	A1	-----	A2	SB0
	SB0	A2	-----	A1	SB7
	GND	A3	-----	C3	GND
	RX1+	A4	←	C4	TX1+
	RX1-	A5	←	C5	TX1-
	GND	A6	-----	C6	GND
	RX3+	A7	←	C7	TX3+
	RX3-	A8	←	C8	TX3-
	GND	A9	NC	C9	GND

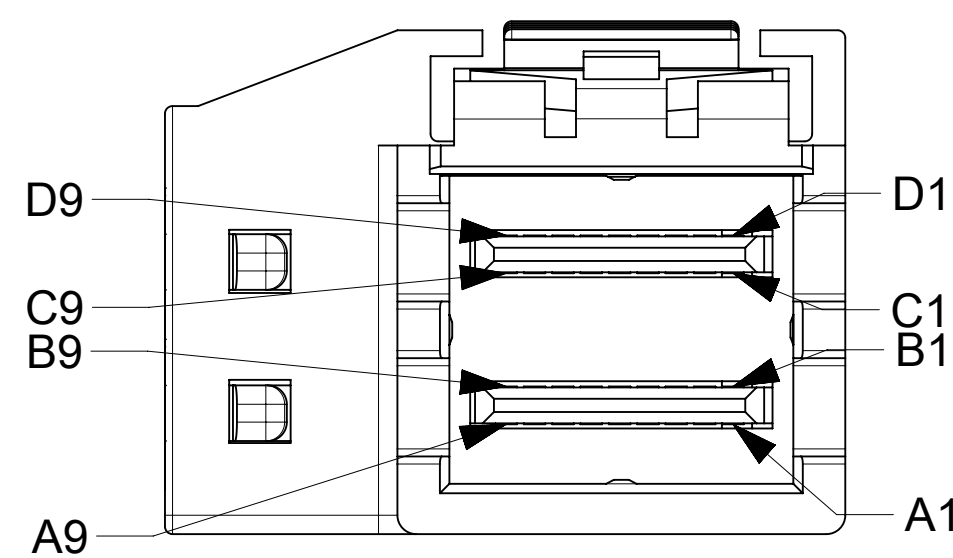
PINOUT 3

	P1		N/C	P2	
		GND		D9	B9
P C I E	TX2-	D8	→	B8	RX2-
	TX2+	D7	→	B7	RX2+
	GND	D6	-----	B6	GND
	TX0-	D5	→	B5	RX0-
	TX0+	D4	→	B4	RX0+
	GND	D3	-----	B3	GND
	SB6	D2	-----	D1	SB6
	SB5	D1	-----	D2	SB5
	WAKE _n	C1	-----	C2	CWAKE _n
	RST _n	C2	-----	C1	CPERST _n
	GND	C3	-----	A6	GND
	TX1+	C4	→	A4	RX1+
	TX1-	C5	→	A5	RX1-
	GND	C6	-----	A9	GND
	TX3+	C7	→	A7	RX3+
	TX3-	C8	→	A8	RX3-
	GND	C9	N/C	C9	GND
	GND	B9	N/C	D9	GND
P C I E	RX2-	B8	←	D8	TX2-
	RX2+	B7	←	D7	TX2+
	GND	B6	-----	D6	GND
	RX0-	B5	←	D5	TX0-
	RX0+	B4	←	D4	TX0+
	GND	B3	-----	D3	GND
	SB1	B2	-----	B1	SB1
	SB3	B1	-----	B2	SB3
	CLK+	A1	←	A2	CLK+
	CLK-	A2	←	A1	CLK-
	GND	A3	-----	A3	GND
	RX1+	A4	←	C4	TX1+
	RX1-	A5	←	C5	TX1-
	GND	A6	-----	C3	GND
	RX3+	A7	←	C7	TX3+
	RX3-	A8	←	C8	TX3-
	GND	A9	-----	C6	GND

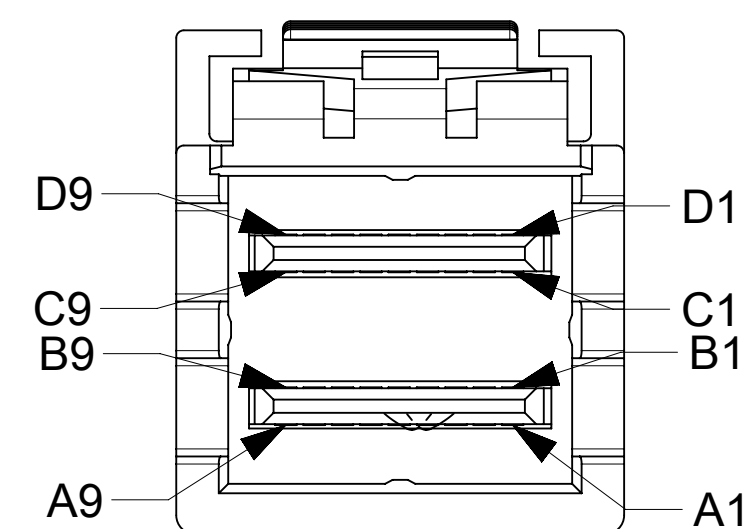
LEGEND:

- = GROUND LINES
- = THRU LINES
- = TRANSMIT TO RECEIVE ON HIGH SPEED CIRCUITS
- NC = NOT CONNECTED

P1

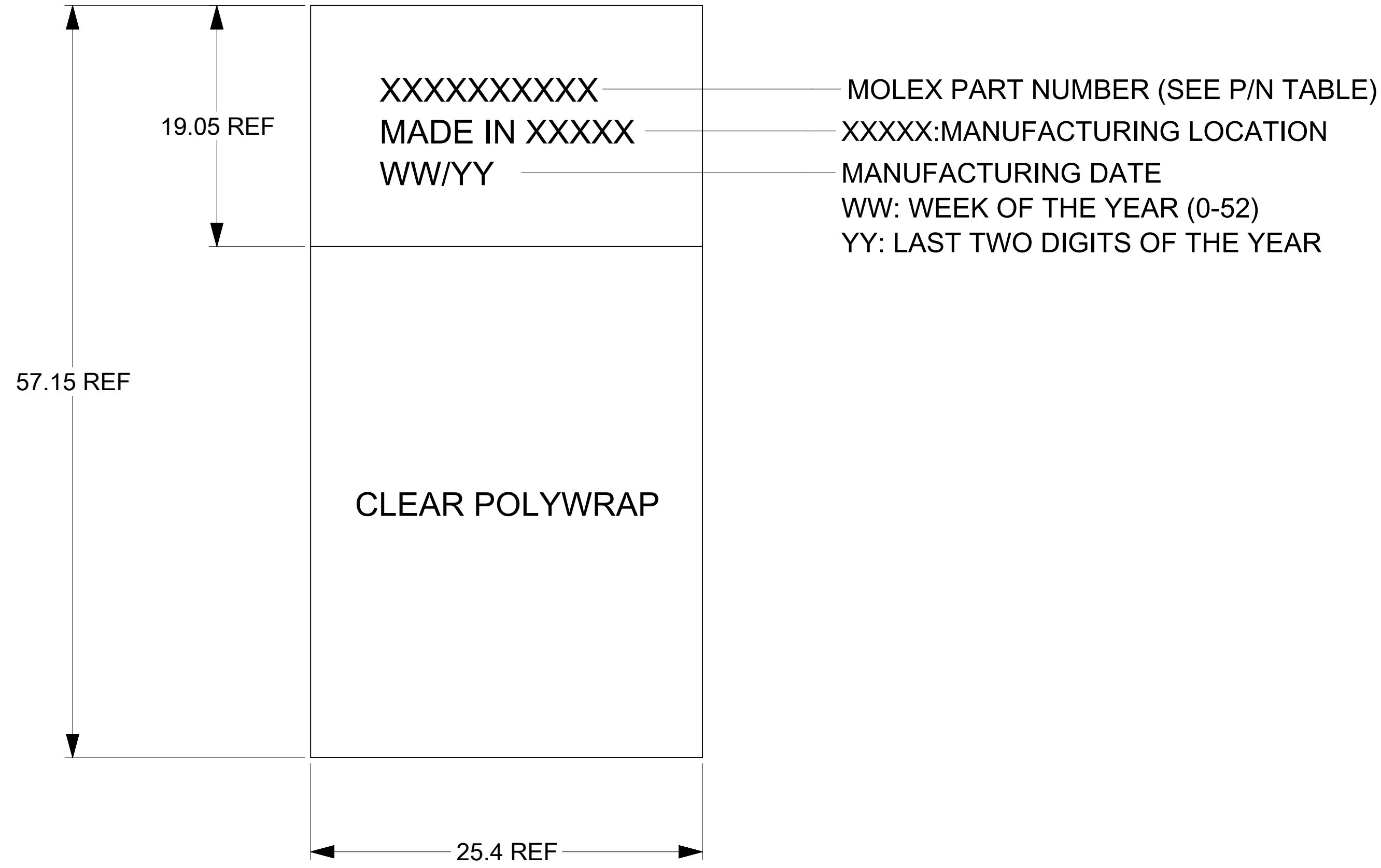


P2

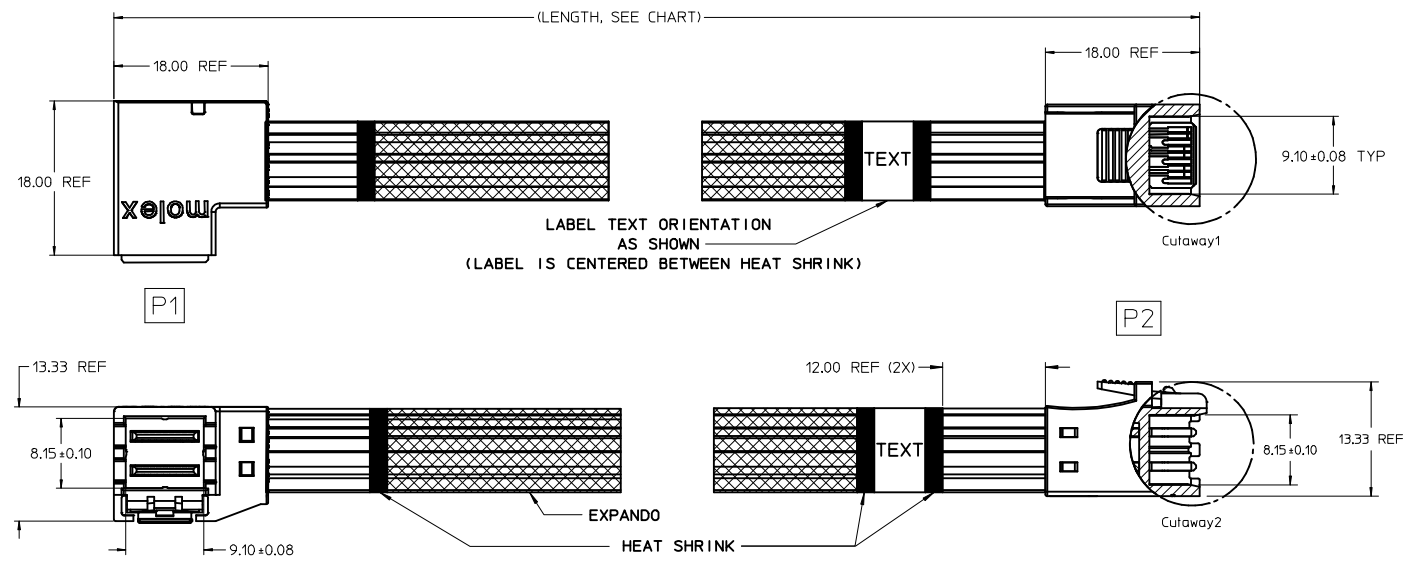
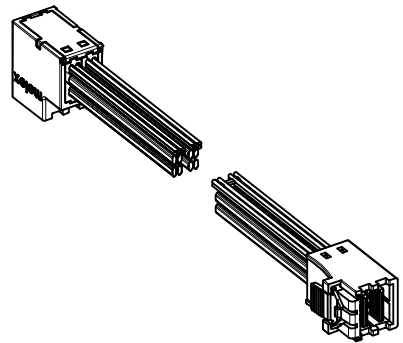


THIS DRAWING CONTAINS INFORMATION THAT IS PROPRIETARY TO MOLEX ELECTRONIC TECHNOLOGIES, LLC AND SHOULD NOT BE USED WITHOUT WRITTEN PERMISSION			
DIMENSION UNITS mm	SCALE 1:1	CURRENT REV DESC:	
GENERAL TOLERANCES (UNLESS SPECIFIED)		EC NO: 617908	
ANGULAR TOL	± °	DRWN: CYEH03	2017/12/18
4 PLACES	±	CHK'D: VPENG01	2019/05/27
3 PLACES	±	APPR: VPENG01	2019/05/27
2 PLACES	±	INITIAL REVISION:	
1 PLACE	±	DRWN: CYEH03	2017/12/18
0 PLACES	±	APPR: VPENG01	2019/05/27
DRAFT WHERE APPLICABLE MUST REMAIN WITHIN DIMENSIONS	THIRD ANGLE PROJECTION	DRAWING	SERIES
		D-SIZE	100223
DOCUMENT NUMBER		MATERIAL NUMBER	CUSTOMER
1002235100		SEE P/N TABLE	GENERAL MARKET
DOC TYPE		DOC PART	REVISION
PSD		000	F
SHEET NUMBER			2 OF 3

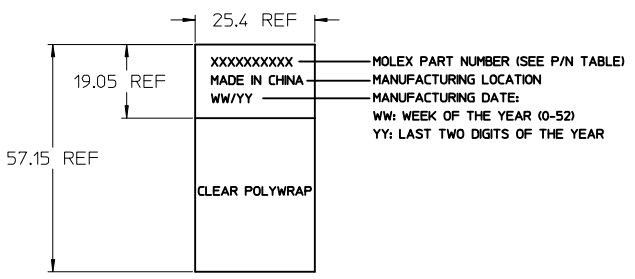
LABEL DETAIL



THIS DRAWING CONTAINS INFORMATION THAT IS PROPRIETARY TO MOLEX ELECTRONIC TECHNOLOGIES, LLC AND SHOULD NOT BE USED WITHOUT WRITTEN PERMISSION									
DIMENSION UNITS		SCALE		CURRENT REV DESC:				molex	
mm		20:1							
GENERAL TOLERANCES (UNLESS SPECIFIED)				EC NO: 617908				4X INTERNAL HD TO SHORT BODY RIGHT EXIT CBL ASSY 85 OHM	
ANGULAR TOL ± °				DRWN: CYEH03 2017/12/18					
4 PLACES ±				CHK'D: VPENG01 2019/05/27				PRODUCT CUSTOMER DRAWING	
3 PLACES ±				APPR: VPENG01 2019/05/27					
2 PLACES ±				INITIAL REVISION:				DOCUMENT NUMBER	
1 PLACE ±				DRWN: CYEH03 2017/12/18					
0 PLACES ±				APPR: VPENG01 2019/05/27				1002235100	
DRAFT WHERE APPLICABLE MUST REMAIN WITHIN DIMENSIONS		THIRD ANGLE PROJECTION		DRAWING		SERIES		CUSTOMER	
				D-SIZE		100223		GENERAL MARKET	
						SEE P/N TABLE		3 OF 3	



LABEL DETAIL

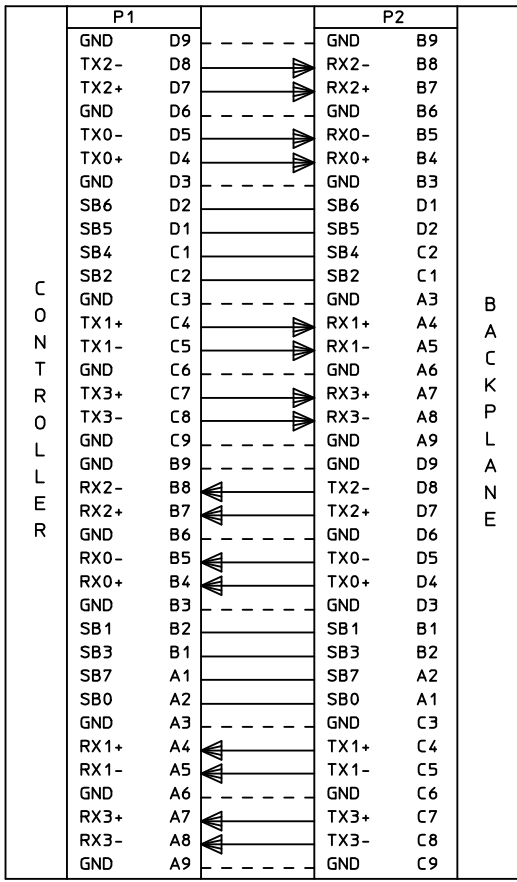


- NOTES:**
- MATERIAL:**
 HOUSING - GLASS FILLED NYLON, UL94-V0
 LATCH - MOLDED INTO HOUSING
 EXPANDO - PET
 CABLE - TWIN-AX SHIELD: ALUMINIZED POLYESTER FOIL
 SIGNAL AND DRAIN: SOLID COPPER
 PCB - FR4 (HALOGEN FREE)
 - THIS PRODUCT CONFORMS TO THE MECHANICAL DIMENSIONING OF SFF-8643 AND ELECTRICAL PERFORMANCE REQUIREMENTS OF SAS 3.0
 - RoHS COMPLIANT. NO EXEMPTIONS

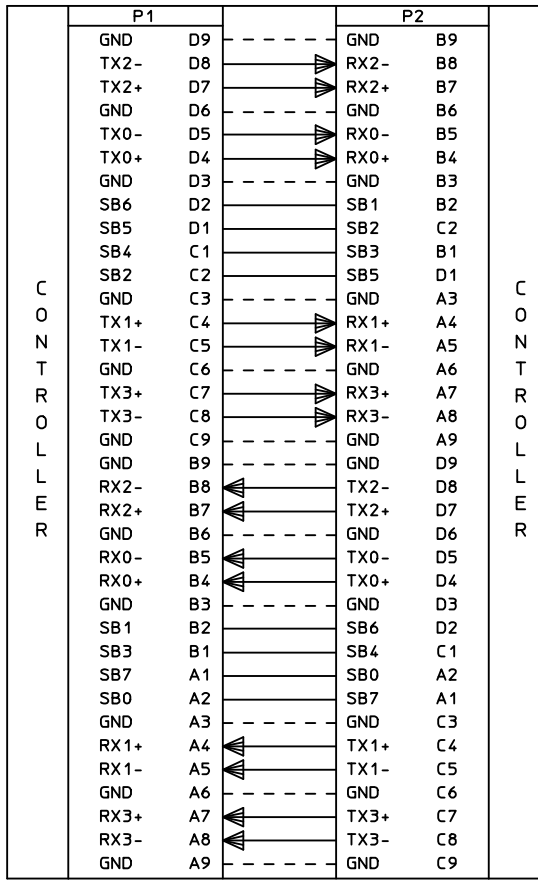
MOLEX P/N	LENGTH (M)	LENGTH TOLERANCE (mm)	AWG	DESCRIPTION	PINOUT
1002235100	0.152	± 10	30	CTRL TO BP	1
1002235101	0.300	± 10	30	CTRL TO BP	1
1002235102	0.500	± 10	30	CTRL TO BP	1
1002235103	0.600	± 10	30	CTRL TO BP	1
1002235104	1.000	± 15	30	CTRL TO BP	1
1002235300	0.152	± 10	30	CTRL TO CTRL	2
1002235301	0.300	± 10	30	CTRL TO CTRL	2
1002235302	0.500	± 10	30	CTRL TO CTRL	2
1002235303	0.600	± 10	30	CTRL TO CTRL	2
1002235304	1.000	± 15	30	CTRL TO CTRL	2
1002235400	0.152	± 10	30	PCIE	3
1002235401	0.300	± 10	30	PCIE	3
1002235402	0.500	± 10	30	PCIE	3
1002235403	0.600	± 10	30	PCIE	3
1002235404	1.000	± 15	30	PCIE	3

UPDATED PINOUT EC NO: CPG2015-4494 DRAWN BY: TPRATT CHKD: CHYK APPR: CHIRSCHY 2015/02/25 2015/03/03	QUALITY SYMBOLS ∇=0 ∇=0 ∇=0	GENERAL TOLERANCES (UNLESS SPECIFIED) mm INCH 4 PLACES ± --- ± --- 3 PLACES ± --- ± --- 2 PLACES ± 0.13 ± --- 1 PLACE ± 0.25 ± --- 0 PLACE ± --- ± --- ANGULAR ± 1 ° DRAFT WHERE APPLICABLE MUST REMAIN WITHIN DIMENSIONS	DIMENSION STYLE MM ONLY DRAWN BY: TPRATT CHECKED BY: PSYTSMA APPROVED BY: CHIRSCHY DATE: 2014/02/26 DATE: 2014/02/26 DATE: 2014/03/21	SCALE 3.5:1	DESIGN UNITS METRIC	THIRD ANGLE PROJECTION	TITLE 4X INTERNAL HD TO SHORT BODY RIGHT EXIT CBL ASSY 85 OHM molex	MATERIAL NO: SEE P/N TABLE	DOCUMENT NO: SD-100223-5100	SHEET NO: 1 OF 2

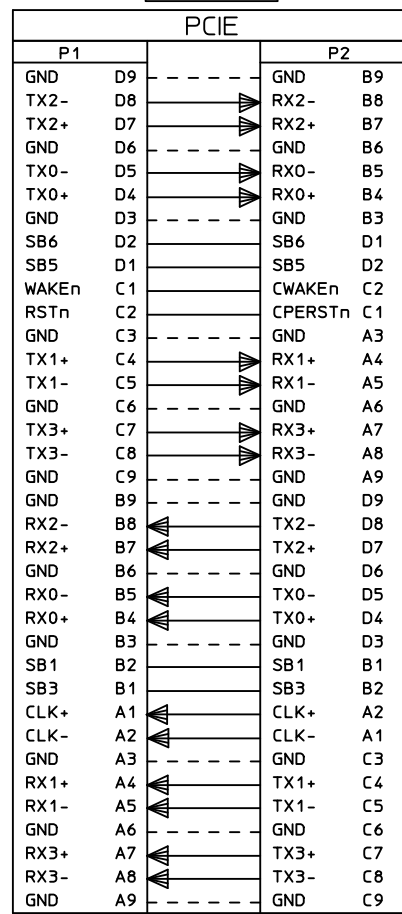
PINOUT 1



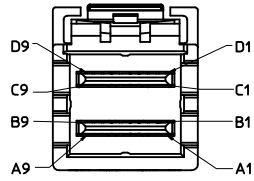
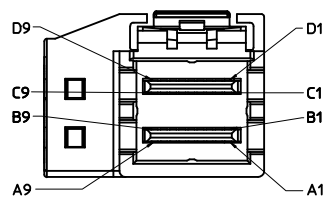
PINOUT 2



PINOUT 3



- = GND
- = THRU LINES
- > = TRANSMIT TO RECEIVE ON HIGH SPEED CIRCUITS
- <---> = CLOCK PAIR (HIGH SPEED TWINAX)



UPDATED PINOUT EC NO: CPG2015-4494 DRAWN: TPRAATT CHKD: CHIRSCHY APPROV: CHIRSCHY DATE: 2015/02/25 DATE: 2015/03/03	QUALITY SYMBOLS	GENERAL TOLERANCES (UNLESS SPECIFIED)	DIMENSION STYLE	SCALE	DESIGN UNITS	THIRD ANGLE PROJECTION
	▽=0	4 PLACES ± mm	MM ONLY	5:1	METRIC	☉
	▽=0	3 PLACES ±	DRAWN BY	TITLE		
	▽=0	2 PLACES ±0.13	TPRAATT	4X INTERNAL HD TO SHORT BODY RIGHT EXIT CBL ASSY 85 OHM		
	1 PLACE ±0.25	CHECKED BY	MATERIAL NO.			SHEET NO.
	0 PLACE ±	PSYTSMA	SD-100223-5100			2 OF 2
		APPROVED BY	DOCUMENT NO.			
		CHIRSCHY	SEE SHEET 1			
		DATE: 2014/03/21	THIS DRAWING CONTAINS INFORMATION THAT IS PROPRIETARY TO MOLEX INCORPORATED AND SHOULD NOT BE USED WITHOUT WRITTEN PERMISSION			