



# Product Change Notification

## TE Connectivity

**Product Change Notification:** PCN-22-144482

**PCN Date:** 05-JUL-22

TE would like to inform you of the following change(s) to the listed TE Connectivity Product. In case of any further questions about this change(s), please contact your TE Connectivity Sales Engineer. Affected part, drawing and/or specification numbers are listed on the attached sheet(s).

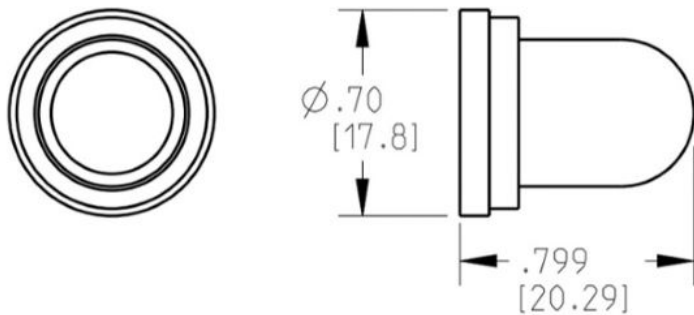
**General Product Description:**

Correct the nut of 1-1423696-6 bootseal from round nut to hex nut

**Description of Changes**

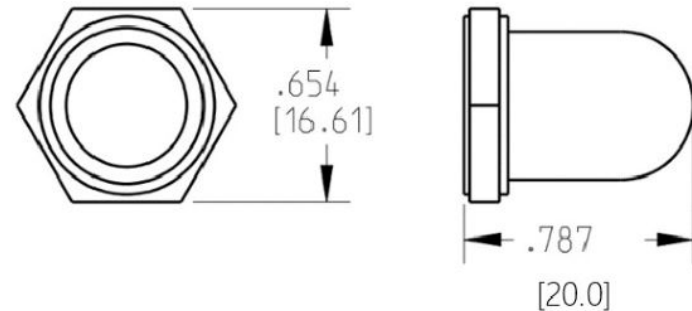
Drafting Error/Omission/Clarification, 1. TE will update the W54 and W57 datasheet for changing the nut of 1-1423696-6 bootseal from round to hex in the future; 2. TE doesn't change the thread of nut for 1-1423696-6 bootseal, it is still M11X1.0 thread, so no influence of the assembly for the 1-1423696-6 bootseal;

Current boot with M11X1.0 threads round nut



Current 1-1423696-6 Clear boot with round nut (M11X1.0 thread)

Changed boot with M11X1.0 threads hex nut



Correct 1-1423696-6 Clear boot with hex nut (M11X1.0 thread)

**Reason for Changes:**

There is a mistake in W54 datasheet and W57 datasheet, the M11X1.0 nut of 1-1423696-6 bootseal was round in those files, but it should be M11X1.0 hex nut for 1-1423696-6

bootseal;

<b>PCN Attributes:</b>	
<b>Product Category:</b>	<b>Kind of Change:</b>
Relays, Contactors & Switches	Geometry
<b>Change Feature:</b>	<b>Potential Customer Impact:</b>
Interface	No Customer Impact
<b>Remarks:</b>	

<b>Estimated Dates:</b>	
<b>Last Order Date</b> (Obsolete Parts Only):	<b>First Ship Date of Changed Items</b> (Changed Parts Only):
	07-JUL-2022
<b>Last Ship Date of Changed Items</b> (Obsolete Parts Only):	<b>Last Date for Mixed Shipments:</b> (Changed Parts Only):
	No Mixed Shipments
<b>Effectivity Date:</b>	<b>Date of First Samples:</b>

Part Number(s) being Modified:

Part Number	Part Discontinued per PCN	Customer Drawing	Customer Part Number	Alias Part Number(s)	Substitute Part Number	Substitute Alias Part Number(s)	Description Of Difference
<a href="#">1-1423696-6</a>	NO						

Part Number(s) being Modified:

Part Number	Part Discontinued per PCN	Customer Drawing	Customer Part Number	Alias Part Number(s)	Substitute Part Number	Substitute Alias Part Number(s)	Description Of Difference
<a href="#">1-1423696-6</a>	NO						

Part Number(s) being Modified:

Part Number	Part Discontinued per PCN	Customer Drawing	Customer Part Number	Alias Part Number(s)	Substitute Part Number	Substitute Alias Part Number(s)	Description Of Difference
<a href="#">1-1423696-6</a>	NO						