

MATERIALS AND FINISHS

FAKRA JACK

BODY ZINC ALLOY
PLATED NICKEL

CENTER CONTACT BRASS
PLATED GOLD

INSULATOR TEFLON

GACKET SILICONE RUBBER

RETAINING RING CARBON SPRING STEEL
PLATED NICKEL

SHROUD HIGH TERMANTURE PLASTIC
COLOR VIOLET

MCRF CONNECTOR

SHELL PHOSPHOR BRONZE
PLATED GOLD

CENTER CONTACT PHOSPHOR BRONZE
PLATED GOLD

INSULATOR PBT

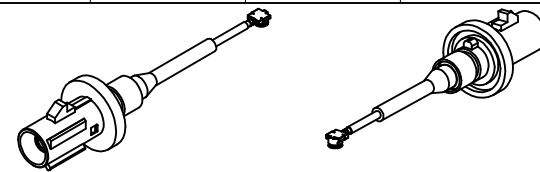
CABLE 1.32 CABLE

SHRINK TUBE
ATUM 4/1-0

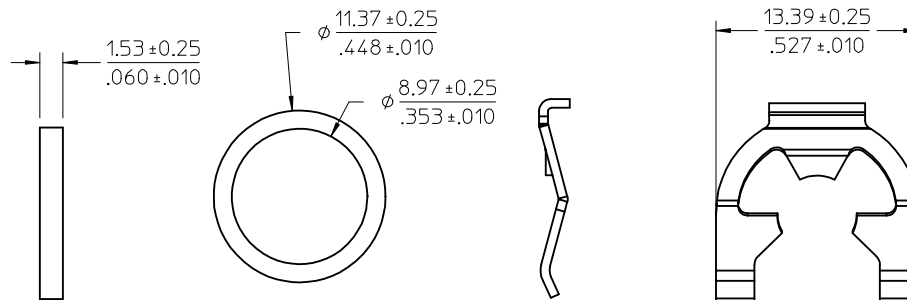
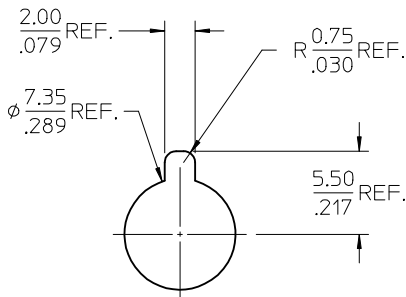
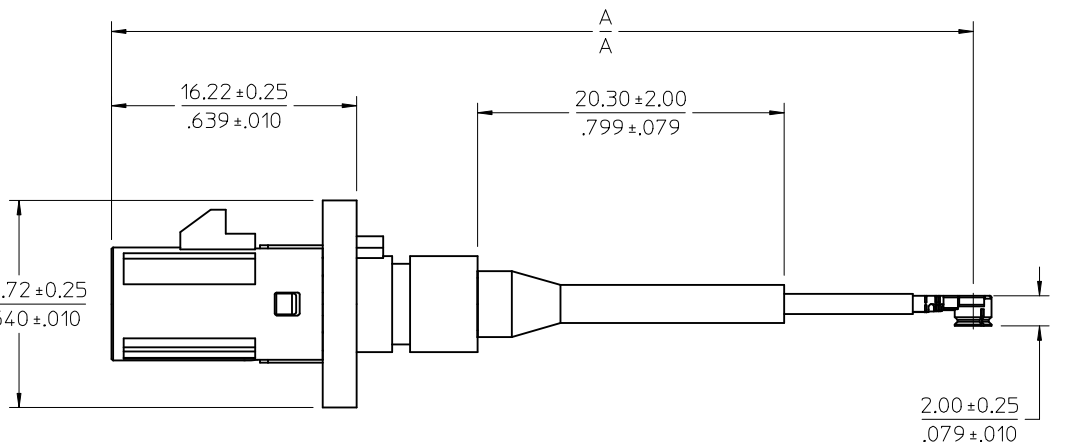
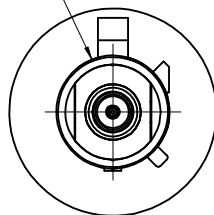
PACKAGING BY POLYBAG

ELECTRICAL SPEC.

IMPEDANCE: 50±5 OHMS
FREQUENCY RANGE: DC TO 2G HZ
(VSWR 1.4 MAX.)
MAXIMUM WORKING VOLTAGE: 60V rms
MINIMUM INSULATION RESISTANCE: 500MΩ
UL94V0,RoHS



CODE H



RECOMMENDED PANEL
THICKNESS 2.5MM

89762-6340	4.724±.197	120.00±5.00
PART NO.	IN	MM
-	A	

CHANGE TITLE MCRF WAS UFL PER RF-17-E068 EC NO: URF2017-0354 DRAWN: LIN 2017/04/17 CHKD: APPR: YCHENG 2017/04/24 REV: A1	QUALITY SYMBOLS	GENERAL TOLERANCES (UNLESS SPECIFIED)	DIMENSION STYLE	SCALE	DESIGN UNITS	THIRD ANGLE PROJECTION	
	▼=0 ▽=0	mm INCH 4 PLACES ± --- ± --- 3 PLACES ± --- ± --- 2 PLACES ± --- ± --- 1 PLACE ± --- ± --- ANGULAR ± 2°	MM/IN	4:1	METRIC	DRAWN BY EL IN DATE 2014/08/11 CHECKED BY KERRIE DATE 2014/08/11 APPROVED BY YCHENG DATE 2014/09/15	CA SMB JACK FAKRA TO MCRF 1.32 CABLE CA-FAKRA-P/MCRF
		DRAFT WHERE APPLICABLE MUST REMAIN WITHIN DIMENSIONS	SEE TABLE	MATERIAL NO.	DOCUMENT NO.	SHEET NO.	
					SD-89762-634	1 OF 1	

MOLEX INCORPORATED
THIS DRAWING CONTAINS INFORMATION THAT IS PROPRIETARY TO MOLEX INCORPORATED AND SHOULD NOT BE USED WITHOUT WRITTEN PERMISSION