

Product Change Notification

PCN-MI-696-2017

Business Unit	Product Line Code	Type of Change	Action	Date of Issue
MI - Marking and Installation	BG4	Product Change Notification	Notify Distributors and Field	6/13/2017

The following Phoenix Contact products have been modified. Existing specifications will be met or exceeded. Please review and acknowledge this document and inform your personnel as needed.

Description for Product Change Notification

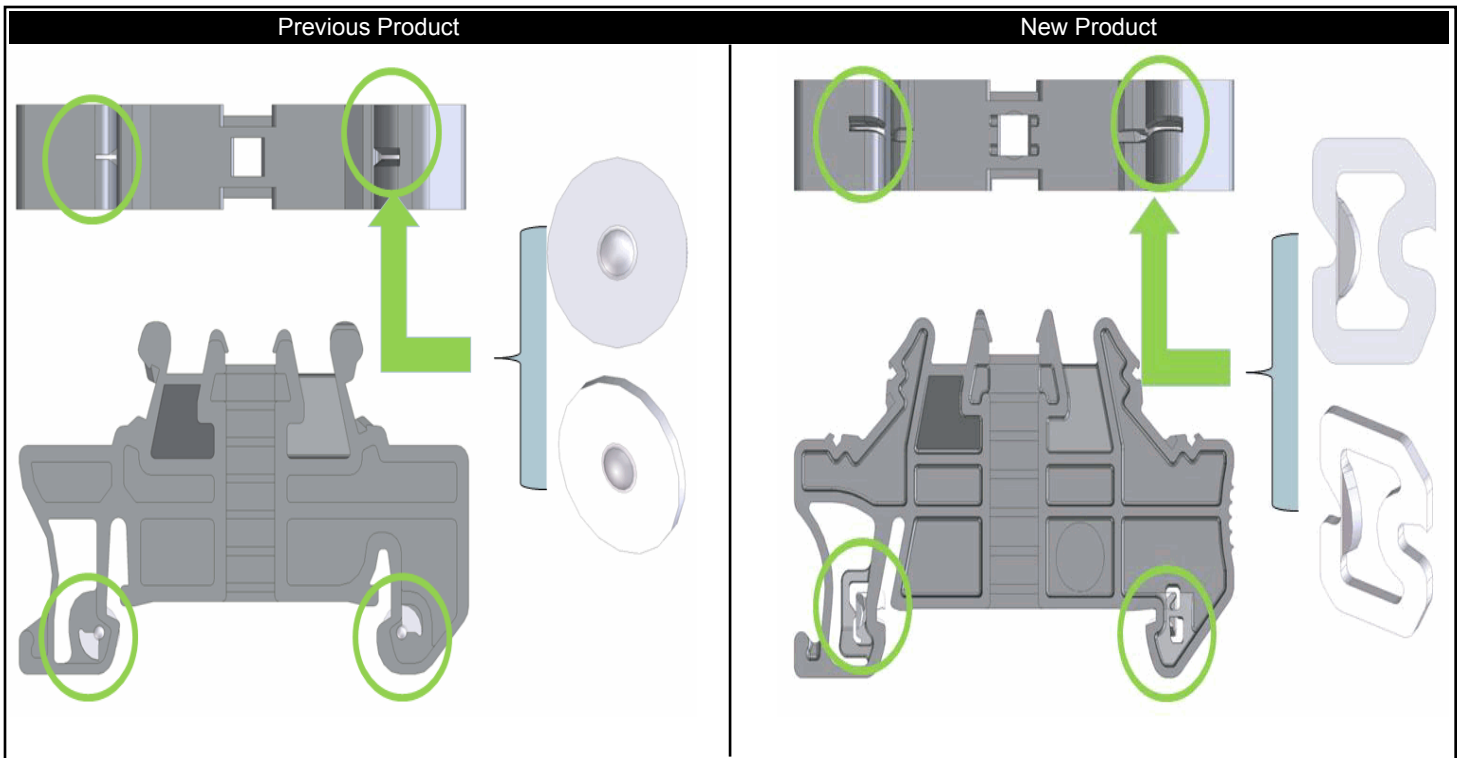
- These modifications include the following changes:
- The displacement force is optimized due to angular metal parts and the shape of the metal
 - Additional marking possibility for TMT (EX9,5)R [0828295]
 - Slight changes of the design due to tool optimizations

Stock Status

- Can existing stock still be used?
Is mixture of stock acceptable?

Transaction Dates

Date modification goes into effect from Germany:	6/7/2017
Expected first shipment (from Phoenix Contact) of the modified products(s):	12/1/2017





Phoenix Contact Inc.
P.O. BOX 4100
Harrisburg, PA 17111-0100
Phone: 717-944-1300
Fax: 717-944-1625

Product Change Notification

Should you have any issues with the timeline or content of this product change, please contact Phoenix Contact using the information below. Customers should acknowledge receipt of the PCN within 30 days of delivery of the PCN; provided, however, that the failure to acknowledge receipt does not affect the product change or the effective date thereof.

Contact Info:

Maria Haynes
mhaynes@phoenixcon.com

Thank you,

A handwritten signature in blue ink, appearing to read 'Larry Freeland', is written over a horizontal line.

Larry Freeland

Senior Product Marketing Manager



Phoenix Contact Inc.
P.O. BOX 4100
Harrisburg, PA 17111-0100
Phone: 717-944-1300
Fax: 717-944-1625

Product Change Notification

Part #	Type Description
3022218	CLIPFIX 35
0802723	CLIPFIX 35 WH