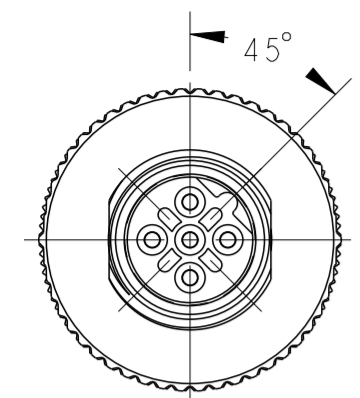
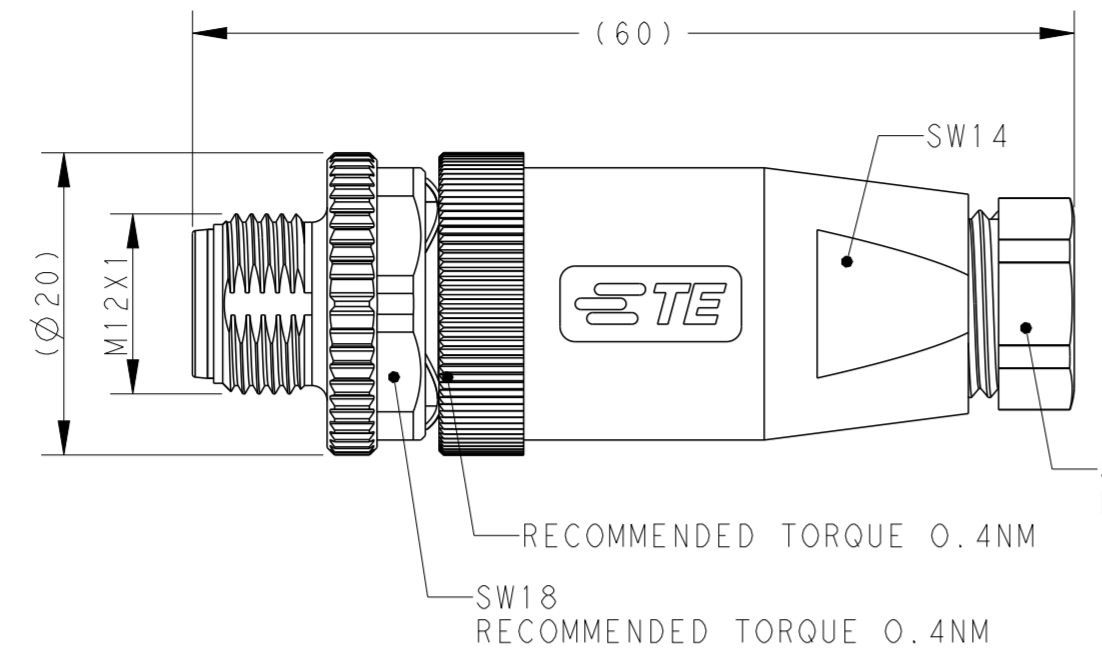


THIS DRAWING IS UNPUBLISHED. RELEASED FOR PUBLICATION 20
 © COPYRIGHT 20 BY - ALL RIGHTS RESERVED.

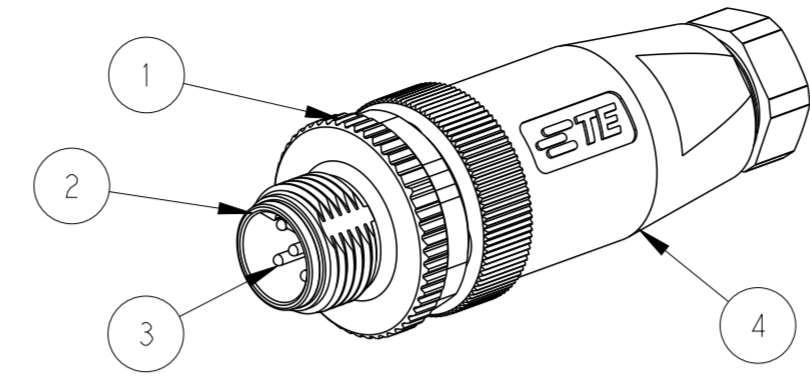
REVISIONS					
P	LTR	DESCRIPTION	DATE	DWN	APVD
A1		ECR-15-012625	01SEP2015	NP	XX
A2		ECR-15-018715 ADD 114 SPEC.	29DEC2015	NP	XX
A3		ECR-20-012708 ADD PG9 MODEL	16SEP2020	S.C	C.W
B		ECR-22-132011	24AUG2022	BP	CW



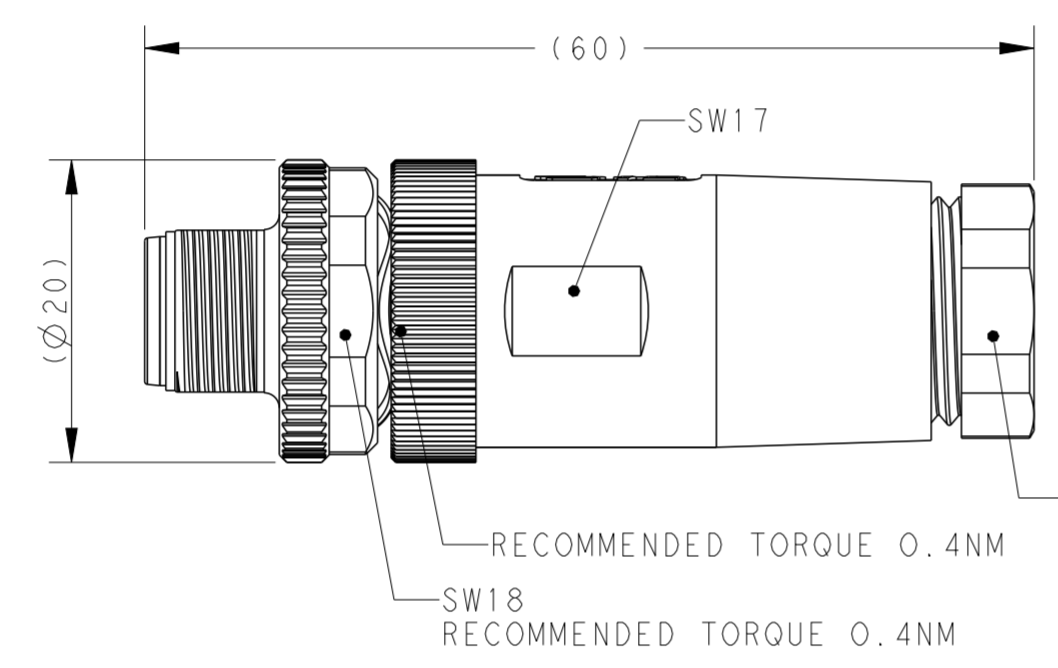
VIEW A
DETAIL SEE TABLE 1



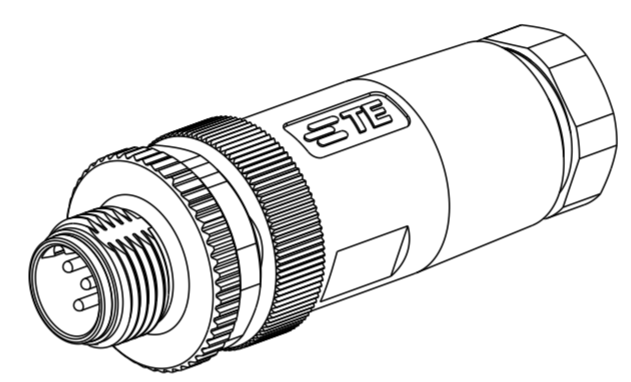
PG7



SW13
RECOMMENDED TORQUE 1.0NM



PG9



RECOMMENDED TORQUE 1.0NM

TECHNICAL DATA	T411140X02X-000	T411140X03X-000	T411140X04X-000	T411140X05X-000	T411140X08X-000
	RATED VOLTAGE	250V	250V	250V	60V
RATED CURRENT	4A	4A	4A	4A	2A
POLLUTION DEGREE	3	3	3	3	3
OVERVOLTAGE CATEGORY	II	II	II	II	II
MATERIAL GROUP	II	II	II	II	II
CONTACT RESISTANCE	≤10mΩ	≤10mΩ	≤10mΩ	≤10mΩ	≤10mΩ
INSULATION RESISTANCE	>100MΩ	>100MΩ	>100MΩ	>100MΩ	>100MΩ
DEGREE OF PROTECTION	IP67	IP67	IP67	IP67	IP67
OPERATION TEMPERATURE	-40~85°C	-40~85°C	-40~85°C	-40~85°C	-40~85°C

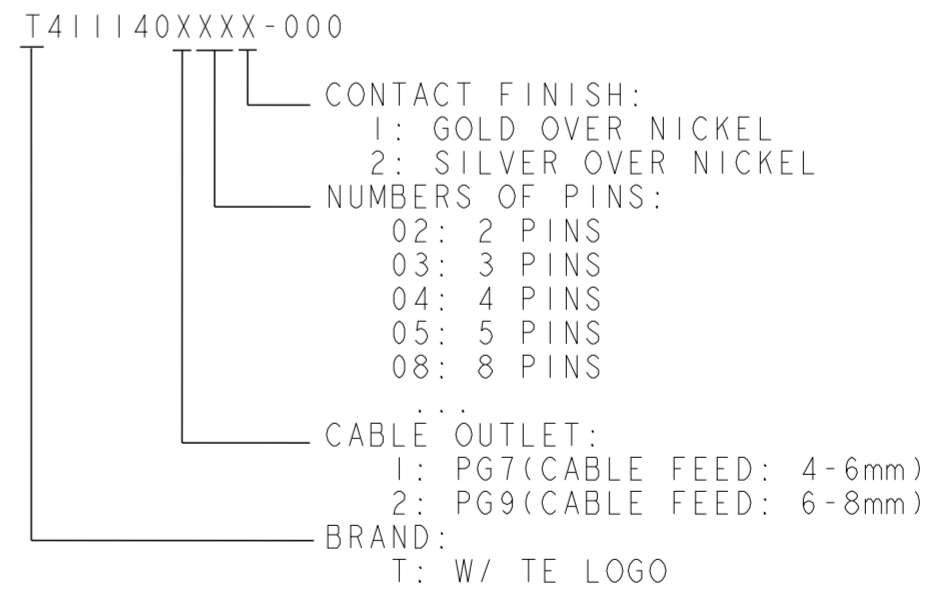
NOTE:

- MATERIAL:
 - ITEM NO.1: NUT - ZINC DIE-CAST, NICKEL PLATED
 - ITEM NO.2: HOUSING - PA
 - ITEM NO.3: CONTACT - BRONZE
 - ITEM NO.4: HOUSING BODY: -PBT+GF
- CONTACT FINISH: GOLD OVER NICKEL OR SILVER OVER NICKEL
- CABLE WIRES:
 - 24AWG/0.25mm²...18AWG/0.75mm² (WITHOUT FERRULE)
 - 26AWG/0.14mm²...20AWG/0.50mm² (WITH FERRULE)
- ALL DIMENSIONS ARE FOR NOMINAL REFERENCE ONLY UNLESS OTHERWISE STATED
- PACKAGING: 1PIECE IN A BAG
- PN INFORMATION

TABLE 1 PIN ARRANGEMENT B-CODE

T411140X02X-000	T411140X03X-000	T411140X04X-000
T411140X05X-000		

T4111402051-000	RPC-M12B-MS-5CON-PG9-MU
T4111401051-000	RPC-M12B-MS-5CON-PG7-MU
T4111402052-000	RPC-M12B-MS-5CON-PG9-M
T4111401052-000	RPC-M12B-MS-5CON-PG7-M
T4111402041-000	RPC-M12B-MS-4CON-PG9-MU
T4111401041-000	RPC-M12B-MS-4CON-PG7-MU
T4111402042-000	RPC-M12B-MS-4CON-PG9-M
T4111401042-000	RPC-M12B-MS-4CON-PG7-M
T4111402031-000	RPC-M12B-MS-3CON-PG9-MU
T4111401031-000	RPC-M12B-MS-3CON-PG7-MU
T4111402032-000	RPC-M12B-MS-3CON-PG9-M
T4111401032-000	RPC-M12B-MS-3CON-PG7-M
T4111402021-000	RPC-M12B-MS-2CON-PG9-MU
T4111401021-000	RPC-M12B-MS-2CON-PG7-MU
T4111402022-000	RPC-M12B-MS-2CON-PG9-M
T4111401022-000	RPC-M12B-MS-2CON-PG7-M
TE PN	TYPE



THIS DRAWING IS A CONTROLLED DOCUMENT.		DWN HAO WANG 08DEC2014	TE Connectivity	
DIMENSIONS: mm		CHK KOBBY ZHAO 08DEC2014		
TOLERANCES UNLESS OTHERWISE SPECIFIED:		APVD XIANG XU 08DEC2014	NAME M12 MALE, B CODE, STRAIGHT UNSHIELDED CONNECTOR SCREW TERMINAL	
0 PLC ±0.2		PRODUCT SPEC 108-106140	SIZE A2	
1 PLC ±0.2		APPLICATION SPEC 114-137144	CAGE CODE -	
2 PLC ±0.2		WEIGHT -	DRAWING NO. C-T411140XXXX000	
3 PLC ±		RESTRICTED CUSTOMER	RESTRICTED TO	
4 PLC ±			SCALE 1:1 SHEET 1 OF 1 REV B	
ANGLES ±				
FINISH -				