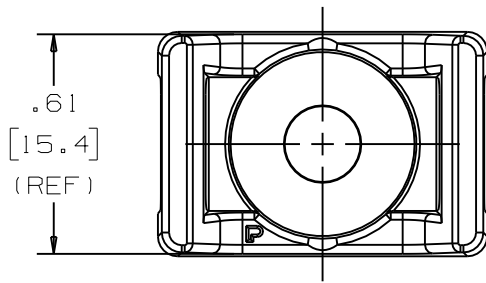
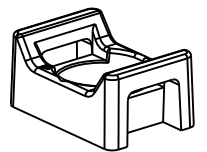
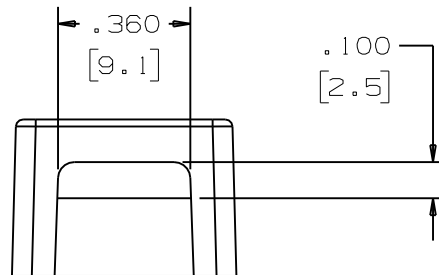
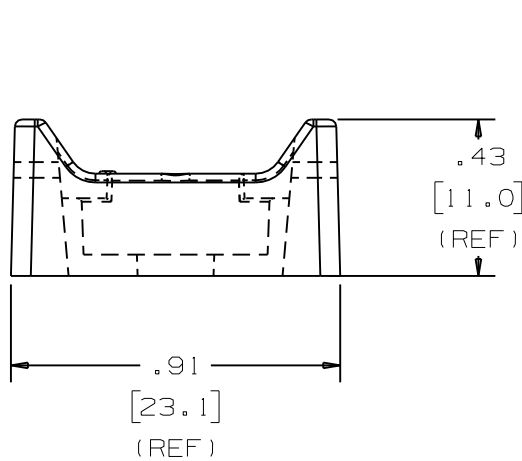


THIS COPY IS PROVIDED ON A RESTRICTED BASIS AND IS NOT TO BE USED IN ANY WAY DETRIMENTAL TO THE INTERESTS OF PANDUIT CORP.



PANDUIT PART NO.	RECOMMENDED FASTENER	USE WITH THESE CABLE TIE CROSS SECTIONS	WEIGHT lbs 100 (g) pcs
TMSG3S10-__	#10 (M5) SCREW	M, I, S, LH	0.36 (163.3)
SGTM3S10-___		SG100M, SG150I, SG200S, SG250S, SG300S, SG370S, SG350LH	



SCALE: FULL

DIMENSIONS IN BRACKETS ARE METRIC [ mm ]

CAD FILENAME/LAYERS G03150FL\_PB\_SGTM3S\_00

**PANDUIT** CORP. TINLEY PARK, ILLINOIS

TIE MOUNT FOR SUPER GRIP TIES  
(SGTM3S10- & TMSG3S10-)

UNLESS OTHERWISE SPECIFIED,  
DIMENSIONAL TOLERANCES ARE:  
(.X) ±0.05 (1.3) (.XXX) ±0.010 (0.25)  
(.XX) ±0.02 (0.5) ANGLES ±5°

UNLESS OTHERWISE SPECIFIED,  
ALL DIMENSIONS ARE GIVEN  
IN INCHES, THIRD ANGLE  
PROJECTION.

DRAWN BY  
**JAD**

MAT'L:  
**NYLON 6/6**

SCALE  
**2X**

REV	DATE	BY	CHK	DESCRIPTION	ECN	R	CUST	SUP
R	5/22/06	JAD		INITIAL RELEASE (DRAFT)	GB3150FL	R		

DATE  
**5/22/06**

CHK'D

DRAWING NO.  
**GB3150FL**

DWG  
**A**  
SIZE