

Customer Information Sheet

DRAWING No.: S0941-46R

IF IN DOUBT - ASK

©

NOT TO SCALE

THIRD ANGLE PROJECTION

ALL DIMENSIONS IN mm

SPECIFICATION:

MATERIAL:
CONTACT = STAINLESS STEEL, 0.15mm THICK

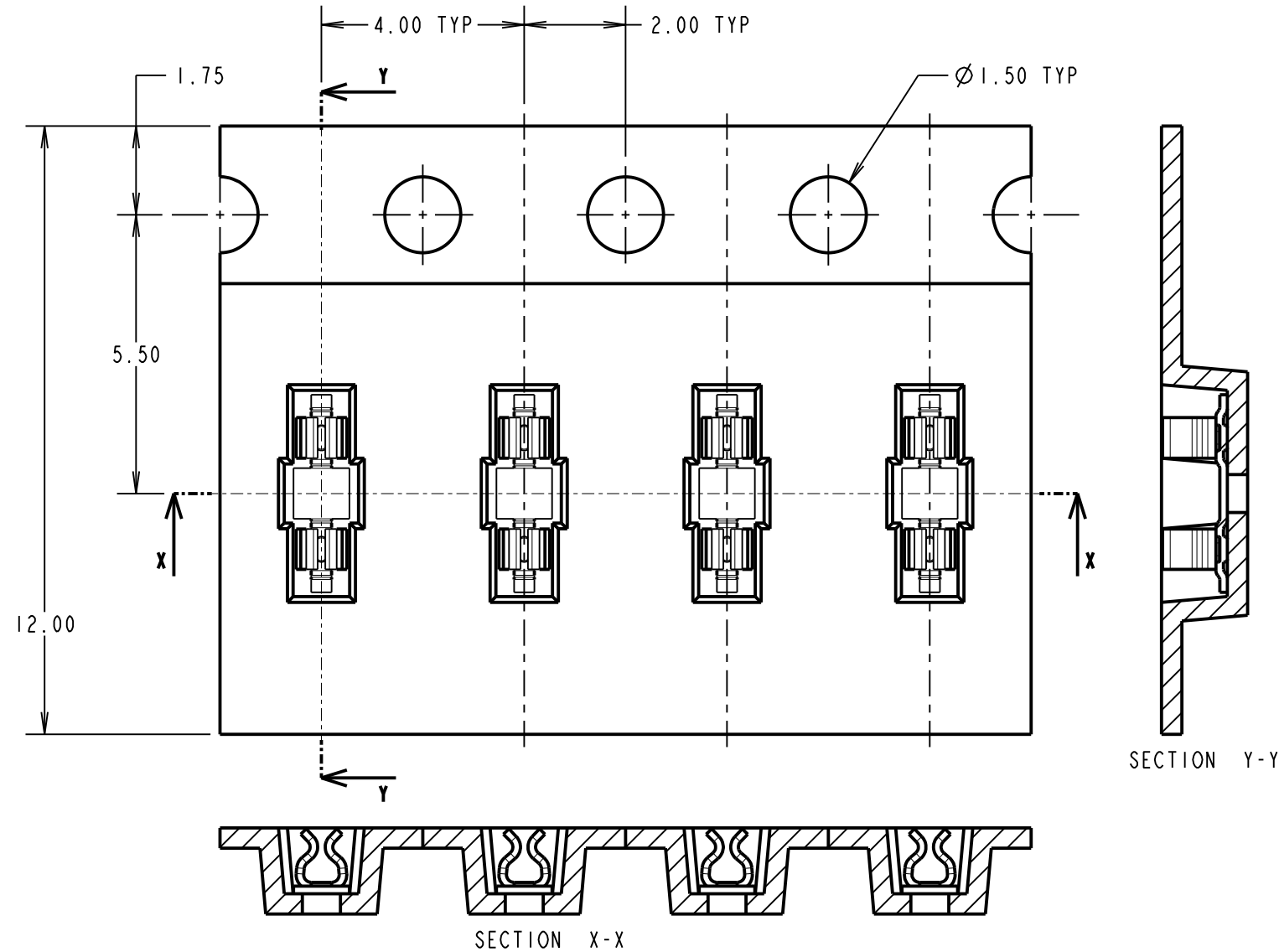
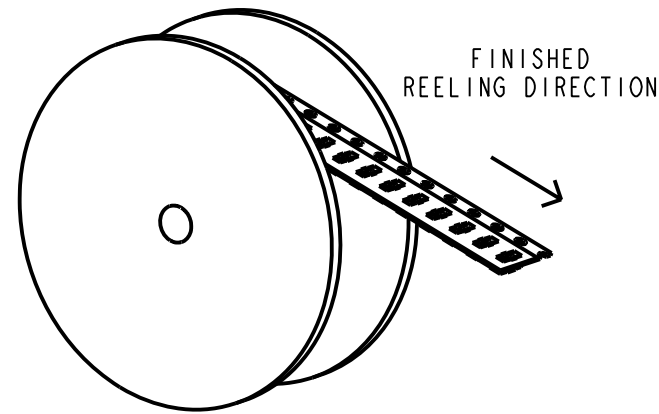
FINISH:
1.0µm - 3.0µm TIN OVER 0.4µm - 1.5µm NICKEL

ELECTRICAL:
RESISTANCE = 100mΩ MAX

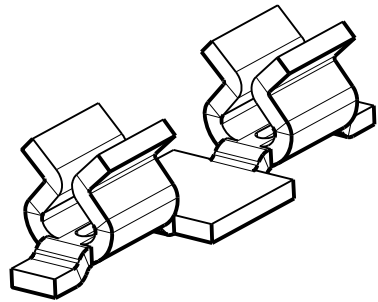
MECHANICAL:
INSERTION FORCE = 9.8N MAX
WITHDRAWAL FORCE = 0.69N MIN

ENVIRONMENTAL:
OPERATING TEMPERATURE = -40°C TO +85°C
STORAGE TEMPERATURE = -40°C TO +85°C

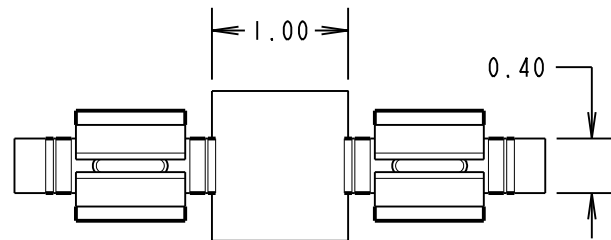
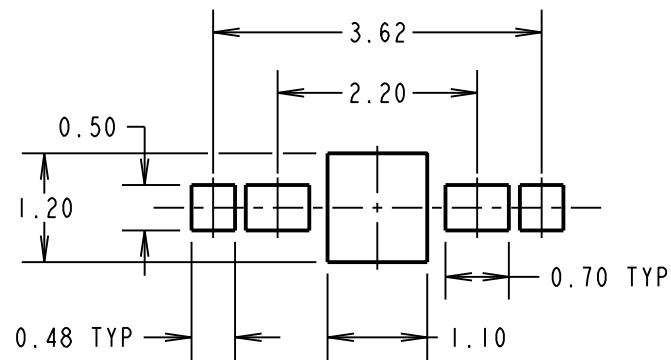
SOLDERING DATA:
SOLDERING HEAT RESISTANCE = 250°C FOR 5 SECONDS



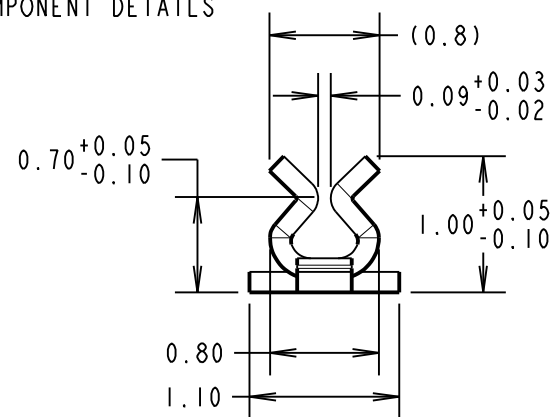
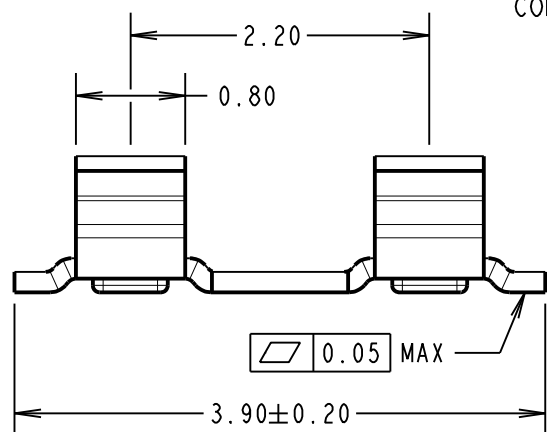
NOTES:
1. FOR USE WITH 0.15+0.01/-0.015mm THICK SHIELD CANS.
2. QUANTITY PER REEL = 10,000.



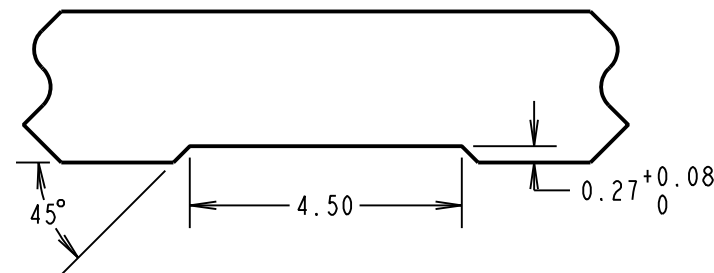
RECOMMENDED PCB LAYOUT
(TOLERANCE = ±0.05)



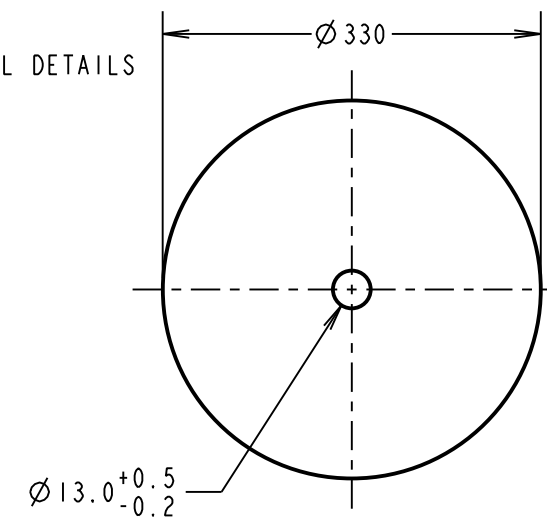
COMPONENT DETAILS



RECOMMENDED SHIELD CAN CUT OUT



REEL DETAILS



MGP	4	20.01.20	22153
NAME	ISS.	DATE	C/NOTE
APPROVED: MGP			
CHECKED: RP			
DRAWN: S.BENNETT			
CUSTOMER REF.:			
ASSEMBLY DRG:			

HARWIN

www.harwin.com
technical@harwin.com

THIS DRAWING AND ANY INFORMATION OR DESCRIPTIVE MATTER SET OUT HEREON ARE CONFIDENTIAL AND COPYRIGHT PROPERTY OF THE HARWIN GROUP AND MUST NOT BE DISCLOSED, LOANED, COPIED OR USED FOR MANUFACTURING, TENDERING OR FOR ANY OTHER PURPOSE WITHOUT THEIR WRITTEN PERMISSION.

TOLERANCES
X. = ±1mm
X.X = ±0.50mm
X.XX = ±0.20mm
X.XXX = ±0.01mm
ANGLES = ±5°
UNLESS STATED

MATERIAL:
SEE ABOVE

FINISH: SEE ABOVE

S/AREA: mm²

TITLE: SMT RFI SHIELD CLIP IN TAPE AND REEL

DRAWING NUMBER: S0941-46R

SHT 2 OF 2