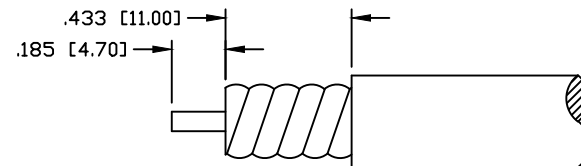
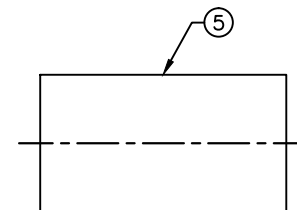
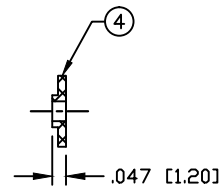
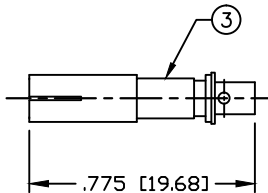
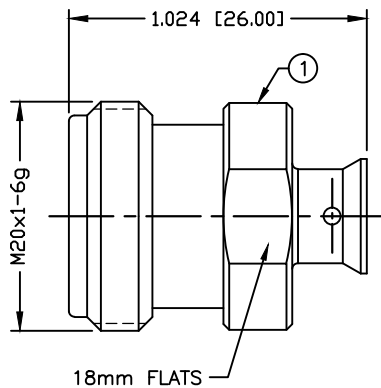


PART NO.

**RFD-4195F-HPL**

REV	DESCRIPTION	DWN	DATE	APPROVED
-	ENGINEERING RELEASE	CZS	05/23/17	JDMc



RECOMMENDED STRIPING DIMENSIONS

SPECIFICATIONS:

IMPEDANCE: 50 Ohms  
 FREQUENCY RANGE: 0-3 GHz  
 VSWR: <1.15:1 THRU 3 GHz  
 DIELECTRIC WITHSTANDING VOLTAGE: 750V/AC  
 PIM:  $\leq -155$  dBc  
 INSULATION RESISTANCE: 5000M $\Omega$   
 TEMPERATURE RANGE: -40°C TO 155°C  
 MECHANICAL DURABILITY: 500 CYCLES  
 FOR 1/4" SUPERFLEX CBL.

5	TUBING	1	HEAT SHRINK	---
4	SPACER	1	PTFE	---
3	CONTACT	1	BeCu	SILVER
2	INSULATOR	1	PTFE	---
1	BODY	1	BRASS	WHITE BRONZE
#	DESCRIPTION	QTY	MATERIAL	FINISH

CUSTOMER OUTLINE DRAWING	
ALL DIMENSIONS ARE REFERENCE ONLY	
UNLESS OTHERWISE SPECIFIED: DIMENSIONS ARE IN INCHES AND [MILLIMETERS]	
DRAWN C. ZUNIGA	05/23/17
CHECKED	
ORJ DRAWN C. ZUNIGA	05/23/17

**RoHS  
COMPLIANT**

PROPRIETARY AND CONFIDENTIAL  
 THIS DRAWING CONTAINS  
 INFORMATION PROPRIETARY TO  
 RF INDUSTRIES, ANY  
 UNAUTHORIZED USE OF THIS  
 DRAWING IS EXPRESSLY  
 PROHIBITED WITHOUT WRITTEN  
 PERMISSION FROM RF  
 INDUSTRIES. ANY VIOLATION IS  
 PUNISHABLE UNDER U.S.  
 COPYRIGHT LAWS.

**RFconnectors**

7610 MIRAMAR RD.  
 SAN DIEGO, CA 92126  
 (858) 549-6340  
 DIVISION OF RF INDUSTRIES, LTD. (858) 549-6345 FAX

**4.1-9.5 JACK SOLDER**

SIZE	CABLE GROUP	DWG NO.	REV
A	HPL	<b>RFD-4195F-HPL</b>	---
SCALE: NTS	ENGINEERING ID: 000000	SHEET 1 OF 1	