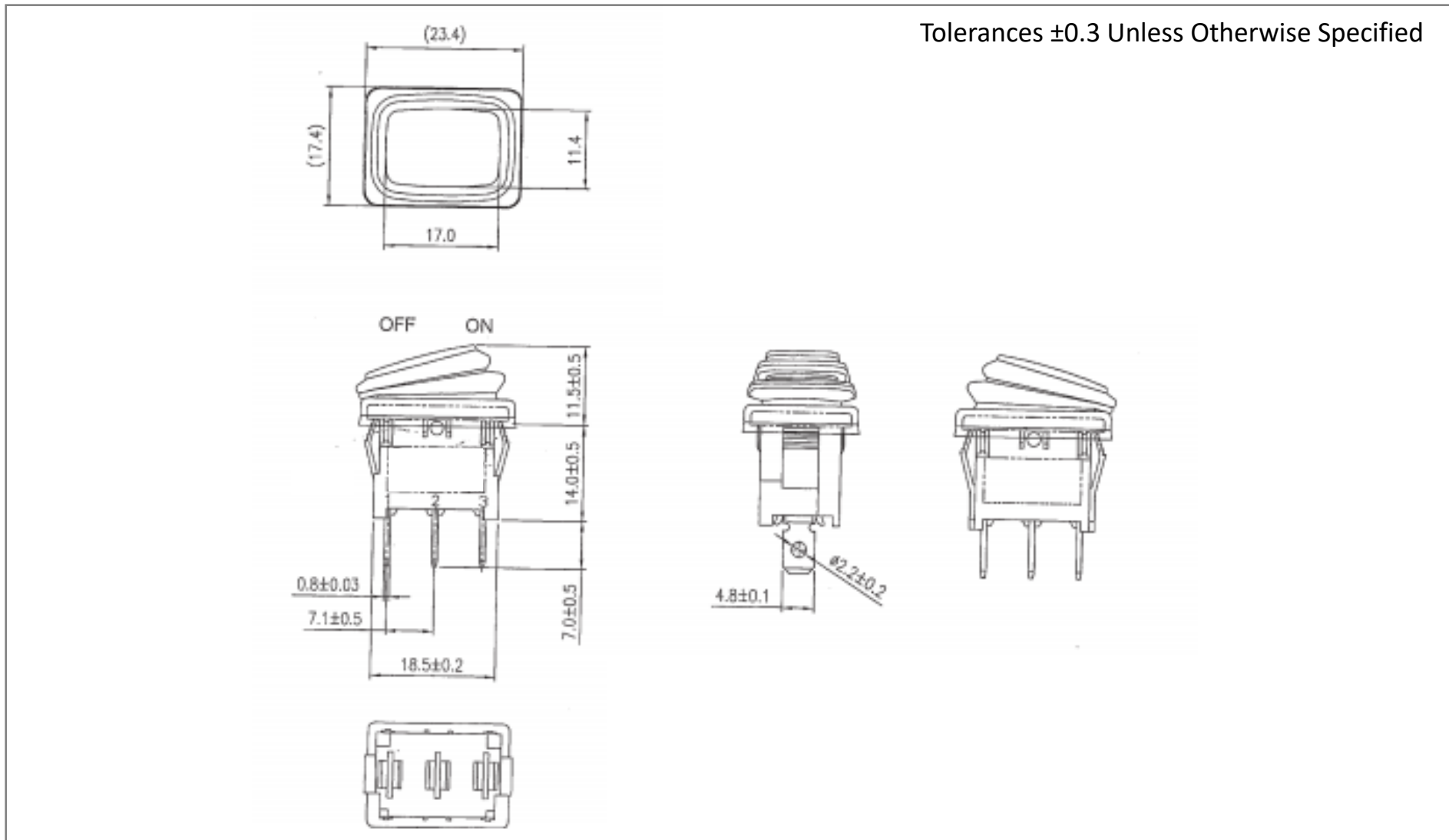
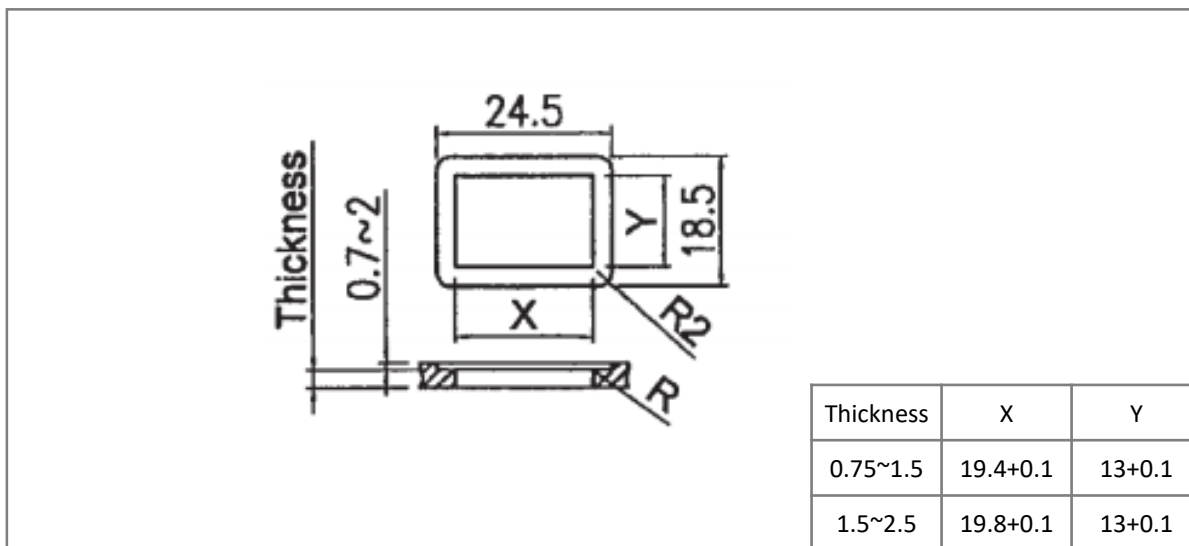


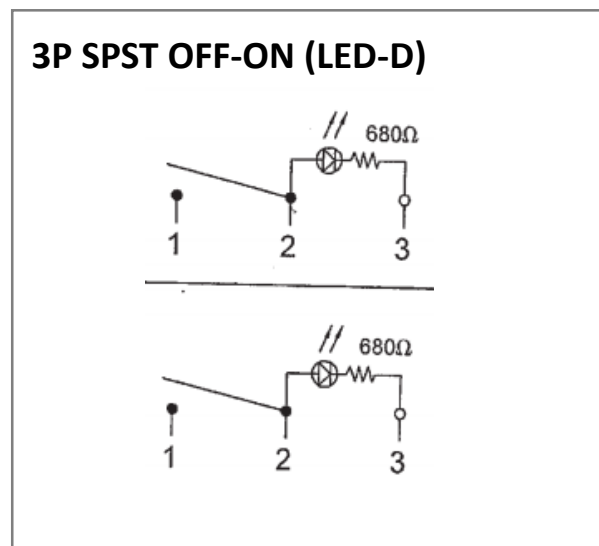
Mechanical Dimensions (mm)



Mounting Hole



Circuit Diagram



Electrical Specifications

Rating	16A 12V DC			
Contact Resistance	50m ohm Max.			
Insulation Resistance	DC 500V 100M ohm Min.			
Dielectric Strength	AC 1500V 1 minute			
Operation Temperature	-25°C~85°C			

Material Specifications

Frame	Black, Nylon 66 (94-V2)
Actuator	Green clear, PC (94-V2)
LED	Green (Dependent)
Waterproof	IP-65
Waterproof rubber	Black, Silicone