

# Customer Information Sheet

DRAWING No.: R6505-00 TO R6535-00

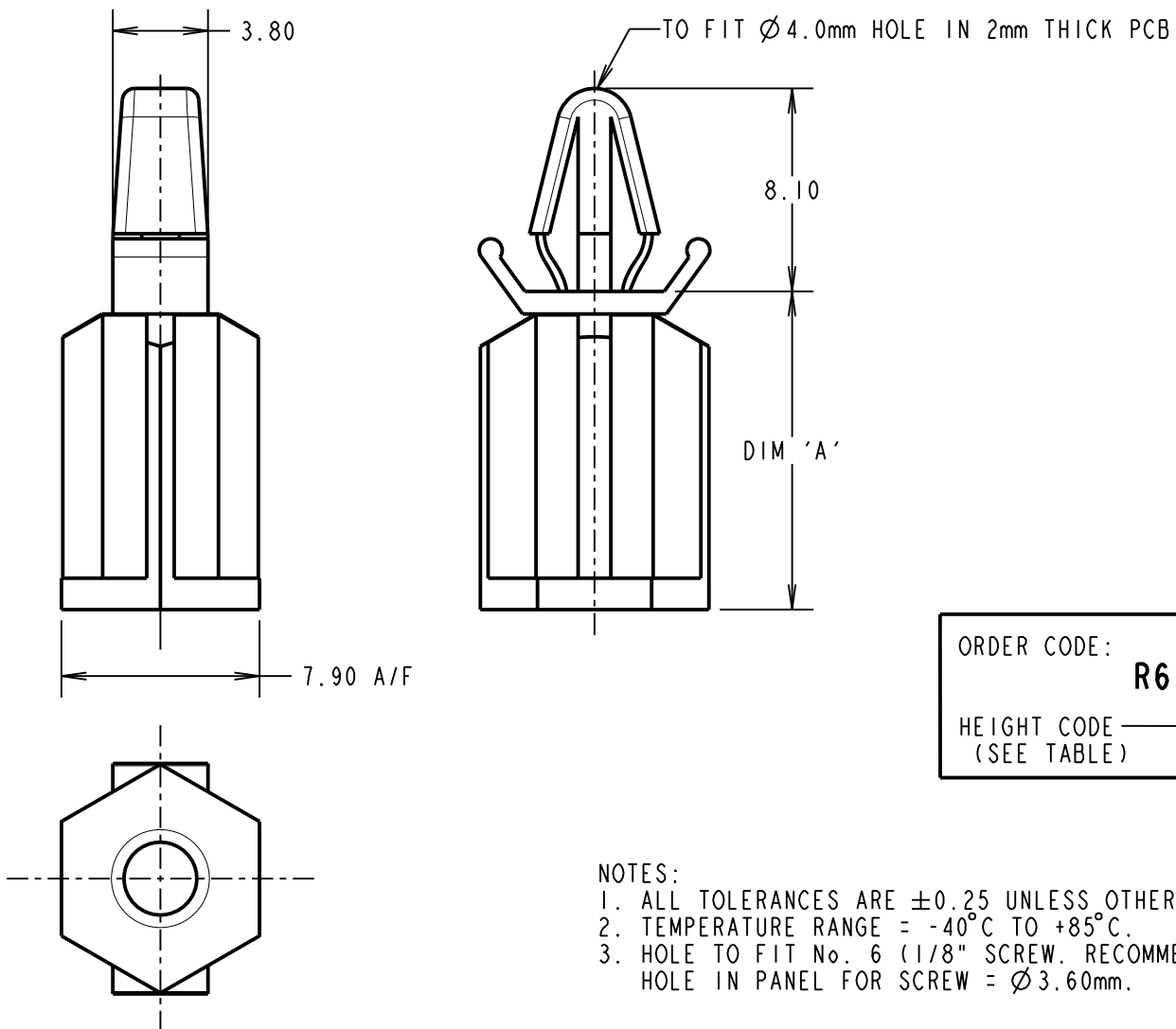
IF IN DOUBT - ASK

©

NOT TO SCALE

THIRD ANGLE PROJECTION

ALL DIMENSIONS IN mm



PART No.	DIM 'A'
R6505-00	4.90
R6510-00	9.60
R6513-00	12.70
R6519-00	19.10
R6528-00	28.50
R6535-00	35.00

ORDER CODE: **R65XX-00**

HEIGHT CODE \_\_\_\_\_  
(SEE TABLE)

MGP	7	02.08.21	30722
NAME	ISS.	DATE	CN/CO
APPROVED: MGP			
CHECKED: MR			
DRAWN: D.BECK			
CUSTOMER REF.:			
ASSEMBLY DRG:			

- NOTES:
1. ALL TOLERANCES ARE  $\pm 0.25$  UNLESS OTHERWISE STATED.
  2. TEMPERATURE RANGE =  $-40^{\circ}\text{C}$  TO  $+85^{\circ}\text{C}$ .
  3. HOLE TO FIT No. 6 (1/8" SCREW. RECOMMENDED MOUNTING HOLE IN PANEL FOR SCREW =  $\varnothing 3.60\text{mm}$ .

## HARWIN

www.harwin.com  
technical@harwin.com

THIS DRAWING AND ANY INFORMATION OR DESCRIPTIVE MATTER SET OUT HEREON ARE CONFIDENTIAL AND COPYRIGHT PROPERTY OF THE HARWIN GROUP AND MUST NOT BE DISCLOSED, LOANED, COPIED OR USED FOR MANUFACTURING, TENDERING OR FOR ANY OTHER PURPOSE WITHOUT THEIR WRITTEN PERMISSION.

~~TOLERANCES~~

~~X =  $\pm 1\text{mm}$~~

~~X.X =  $\pm 0.50\text{mm}$~~

~~X.XX =  $\pm 0.20\text{mm}$~~

~~X.XXX =  $\pm 0.01\text{mm}$~~

~~ANGLES =  $\pm 5^{\circ}$~~

~~UNLESS STATED~~

MATERIAL: NYLON 66 NATURAL UL94V-2

FINISH: CLEAN

S/AREA: mm<sup>2</sup>

TITLE: SELF LOCKING SPACER

DRAWING NUMBER: R6505-00 TO R6535-00