

Delta Confidential

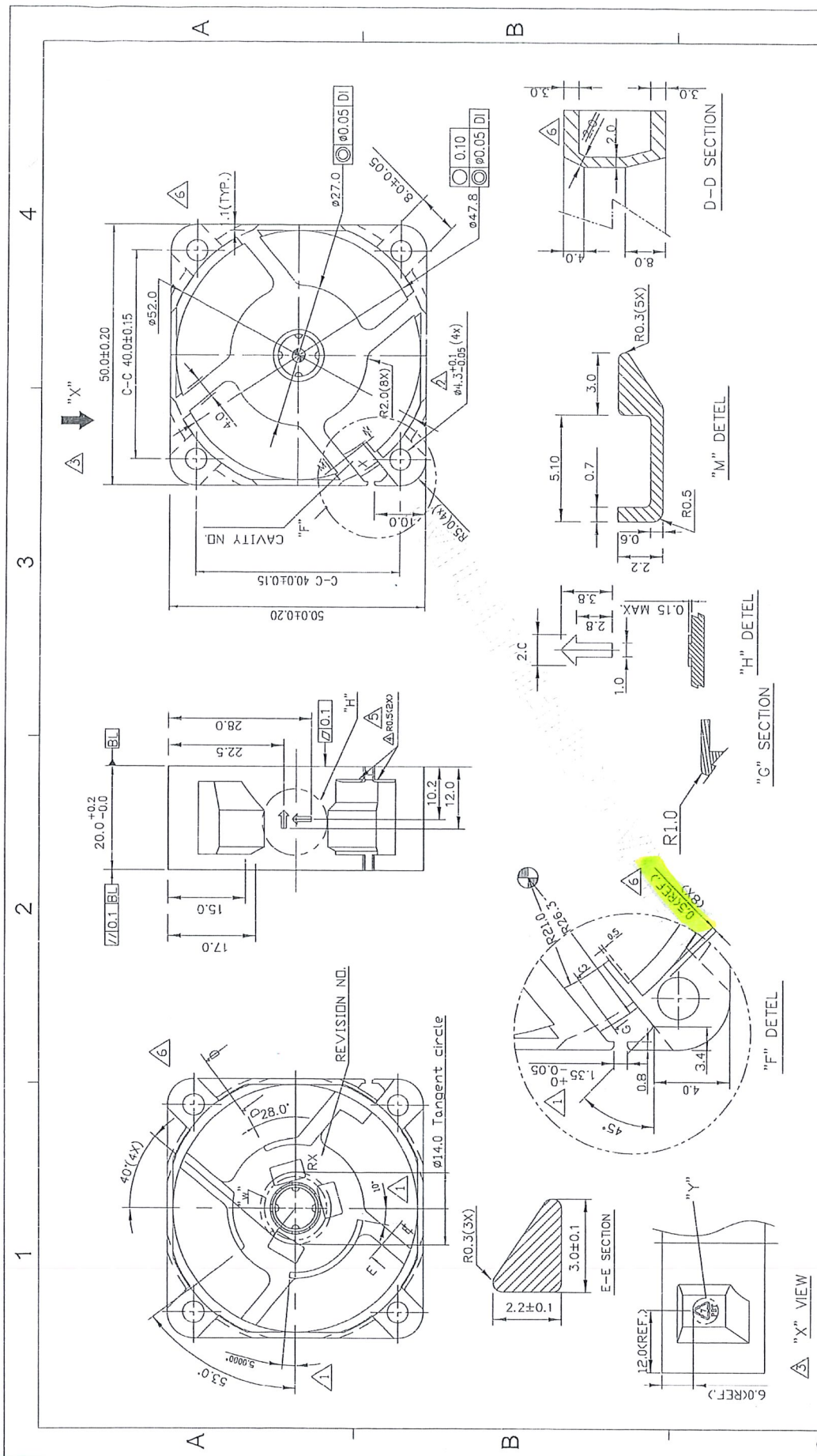
Customer Informed :	<input checked="" type="checkbox"/> Yes	<input type="checkbox"/> No.
Plan to Implementation Date :		
Requestor Name/ Department :	Thanapat.Patt / QA	Date : 2-May-18
PCR Status :	<input checked="" type="checkbox"/> Approved	<input type="checkbox"/> Rejected
Reason for Decision :		
IE Manager Signature	Supawadee <i>[Signature]</i>	Date : 11-June-18
QA Manager Signature	Boochai <i>[Signature]</i>	Date : 11-June-18
Plant Manager Signature	Joseph.Acs <i>[Signature]</i>	Date : 11-June-18

Part II : Customer Decision (if effect to Customer requirement)

PCN Status :	<input type="checkbox"/> Approved	<input type="checkbox"/> Rejected
Reason for Decision :		
Signature :		Date :

Part III : Process Change Notice (PCN) & Implementation Date

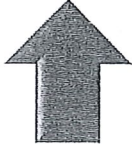
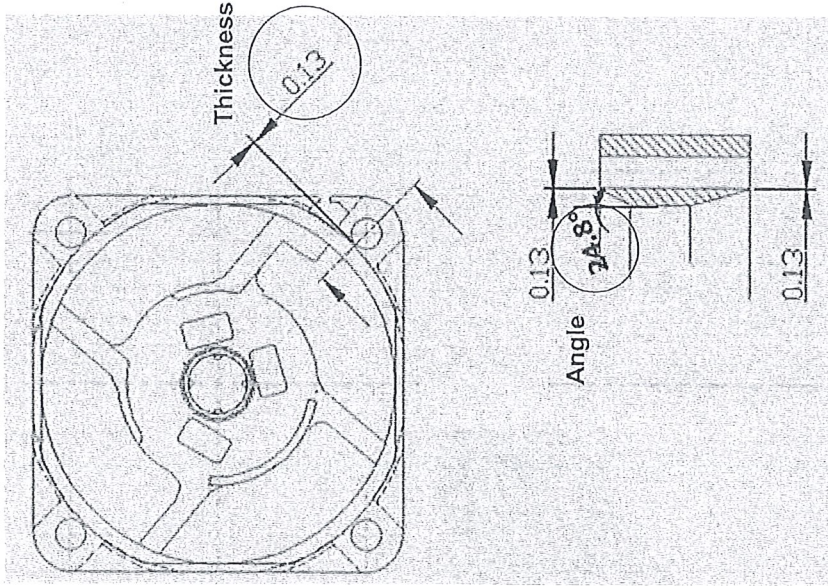
PCN No :	PCR011
Effective Implementation Date :	This change will be implemented on all production orders placed after 5/31/2018.
Cut in Model / Line / Date Code :	Next production orders placed after 5/31/2018.



台達電子工業股份有限公司 DELTA ELECTRONICS, INC.		Drawn: 黃凱城 KAIYU, HUANG 05/24'18 DESCRIPTION: FRAME
THESE DRAWINGS AND SPECIFICATIONS ARE THE PROPERTY OF DELTA ELECTRONICS, INC. AND SHALL NOT BE REPRODUCED OR USED AS THE BASIS FOR THE MANUFACTURE OR SELL OF APPARATUS OR DEVICES WITHOUT PERMISSION.		PART NO.: 4100213200 REV. 06
DIMENSIONAL TOLERANCES DECIMALS: 0.1 0.2 0.3 0.4 0.5 0.6 0.8 1.0 1.5 2.0 3.0 4.0 5.0 FRACTIONS: 1/16 1/8 3/16 1/4 3/8 1/2 5/8 3/4 7/8 1 1 1/4 1 1/2 1 3/4 2 2 1/2 3 3 1/2 4 5 6 8 10 12 15 20 25 30 40 50 60 75 100 125 150 200 250 300 400 500 600 800 1000 1250 1500 2000 2500 3000 4000 5000 6000 8000 10000 ANGLES: 10° 15° 30° 45° 60° 90° 120° 135° 150° 180°		SIZE: A3 SHEET 2 OF 3
SCALE	UNIT	USED ON
	mm	AIR COOLING FAN



Before



After

