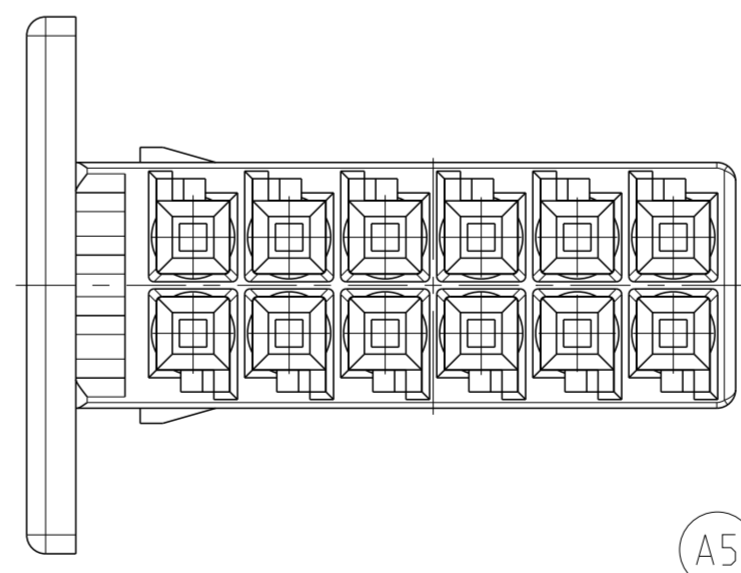
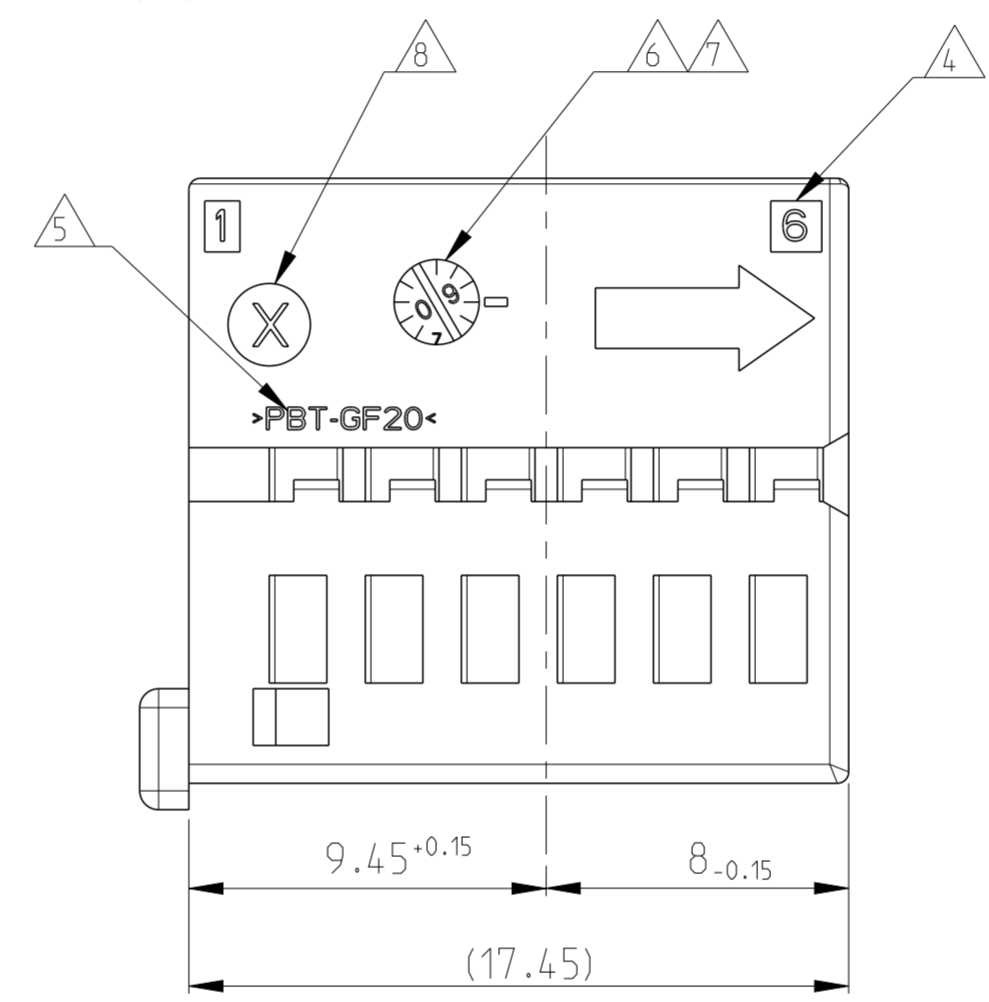
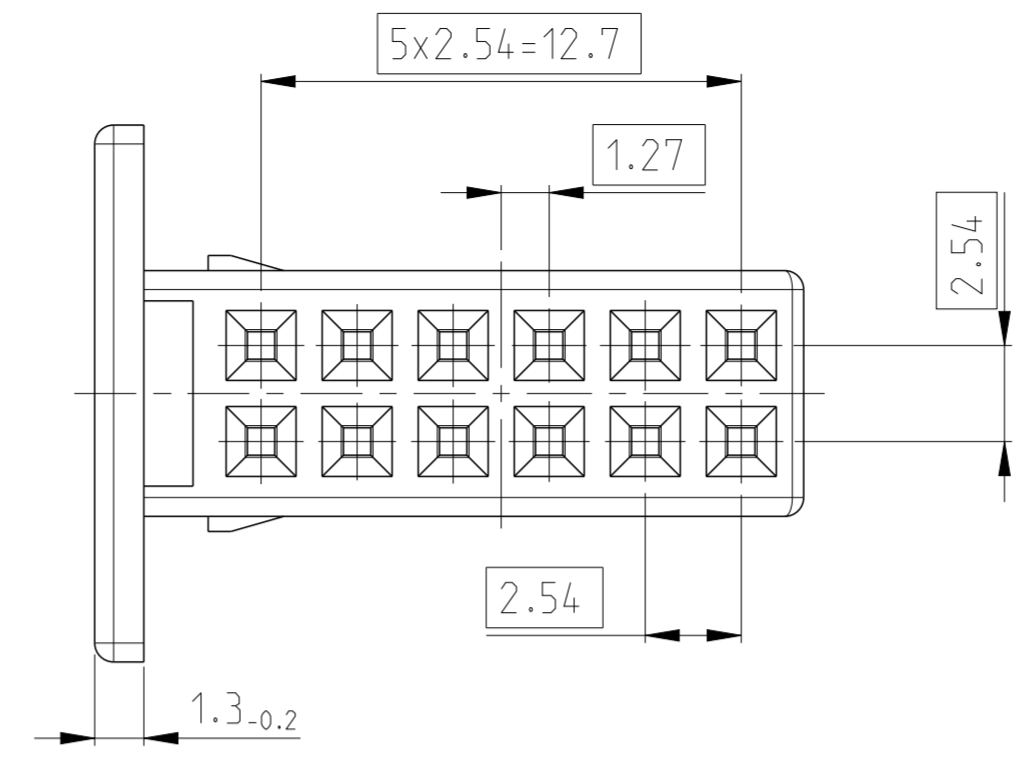
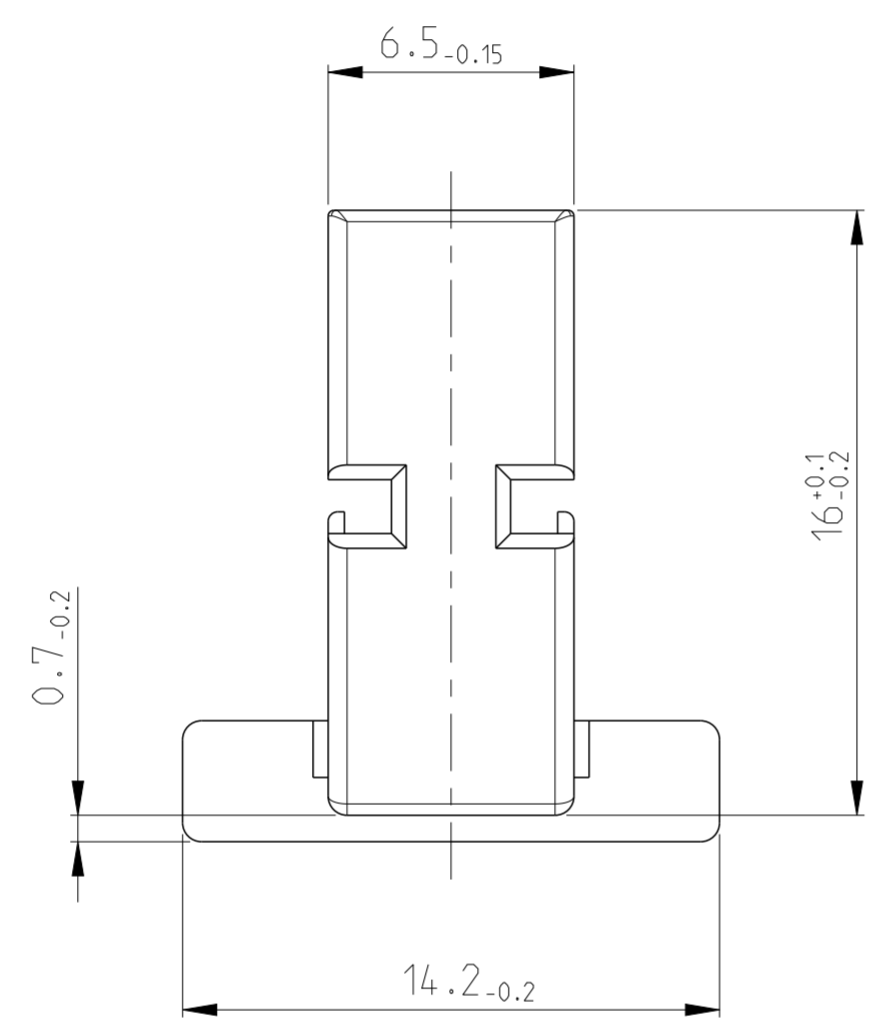
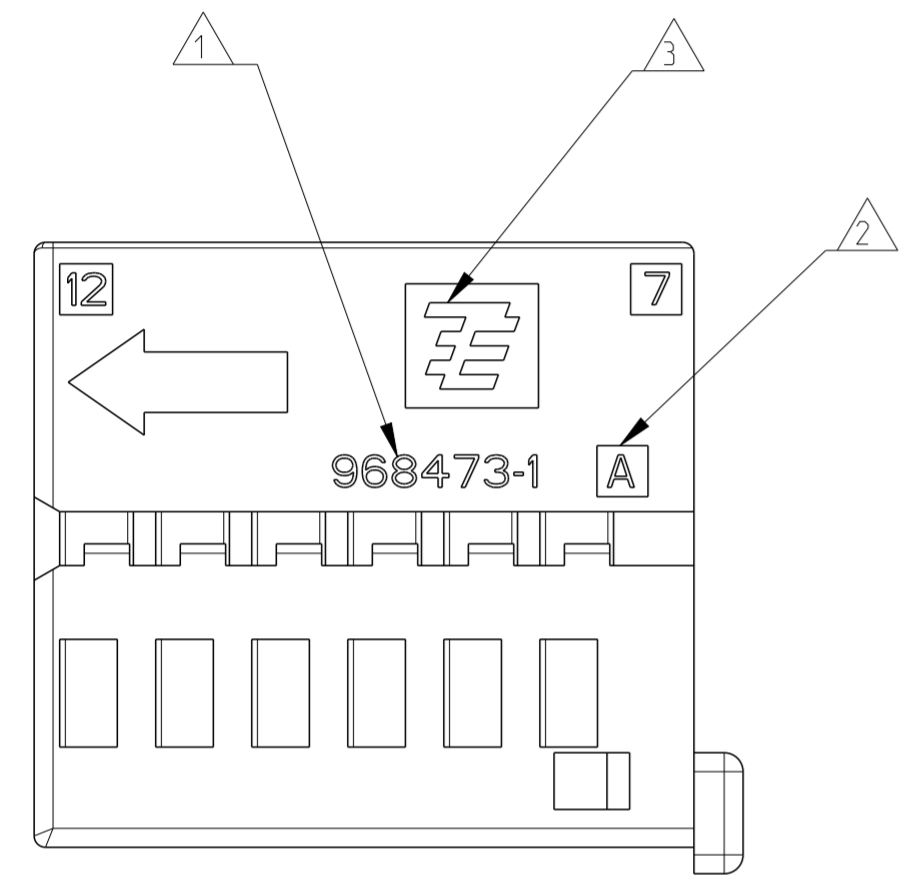


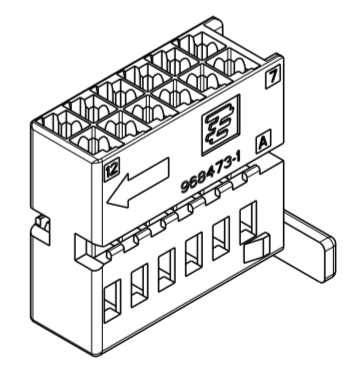
REVISIONS					
P	LTR	DESCRIPTION	DATE	DWN	APVD
A4		SEE E-09-013247	20MAY2009	FU	MR
A5		SEE ECR-18-017143	30OCT2018	KC	PT



- NOTES  
BEMERKUNGEN
- NV NOTE NOT VALID  
Bemerkung nicht verwendet
  - 1 ORDER NUMBER  
BESTELL-NUMMER
  - 2 REVISION NUMBER  
WERKZEUGÄNDERUNGSINDEX
  - 3 TE LOGO
  - 4 CONTACT CAVITY NUMBER  
KONTAKTKAMMERNUMMER
  - 5 MATERIAL MARKING  
WERKSTOFFKENNZEICHNUNG
  - 6 PRODUCTION DATE  
PRODUKTIONSdatum
  - 7 PRE-SERIES PART WITH CONDITIONAL RELEASE  
MARKED WITH CONDITIONING CLOCK  
INSTEAD OF DATE CLOCK  
VORSERIENTEIL MIT BEDINGTER FREIGABE  
MARKIERT MIT ÄNDERUNGSUHR  
ANSTELLE DER DATUMSUHR
  - 8 TOOL CAVITY MARKING  
NESTMARKIERUNG
  - 9 PACKAGING: BULK MATERIAL IN CARDBOARD BOX  
VERPACKUNG: SCHUETTGUT IN KARTON
  - NV PACKAGING: LAYERS IN CARDBOARD BOX  
VERPACKUNG: LAGENWEISE IN KARTON

12POS. CONNECTOR CONTAINS :  
 12 pol. Steckverbinder besteht aus :

967646-x 12POS. PINHEADER / 12pol. Stiftleiste  
 929051-1 COVER WITH LEVER / Abdeckkappe mit Hebel  
 968473-1 12POS. MQS HOUSING / 12pol. MQS-Gehaeuse



2:1

TE ORDER NO STRIP FORM	TE ORDER NO LOOSE PIECE	WIRE RANGE MM <sup>2</sup>	MATERIAL	FINISH
0-0963715-1	0-0963729-1	0.75	CuNiSi	PRETINNED
0-0928999-1	0-0963726-1	0.2-0.5	CuNiSi	PRETINNED

RECOMMENDED CONTACT SYSTEM: MQS; UNSEALED

968473	1	A	12POS. SOCKET HOUSING	PBT-GF20	BLACK / schwarz	1.2	1																		
TE ORDER NO TE BESTELLNUMMER	REV	DESCRIPTION NAME	MATERIAL	SURFACE COLOR	WEIGHT GEWICHT [g]	ITEM NO																			
THIS DRAWING IS A CONTROLLED DOCUMENT.			DWN E. Ullrich 20MAY2009	TE Connectivity																					
DIMENSIONS: mm			CHK R. Reinhardt 03JUN2009	NAME 12POS. SOCKET HOUSING FOR MQS 12pol. Buchsengehaeuse fuer MQS																					
TOLERANCES UNLESS OTHERWISE SPECIFIED:			APVD -	PRODUCT SPEC 108-185466-0																					
<table border="0"> <tr><td>1</td><td>PLC</td><td>±0.3</td></tr> <tr><td>2</td><td>PLC</td><td>±</td></tr> <tr><td>3</td><td>PAC</td><td>±</td></tr> <tr><td>4</td><td>PLC</td><td>±</td></tr> <tr><td>5</td><td>ANGLE</td><td>±2°</td></tr> <tr><td>6</td><td>FINISH</td><td>-</td></tr> </table>			1	PLC	±0.3	2	PLC	±	3	PAC	±	4	PLC	±	5	ANGLE	±2°	6	FINISH	-	APVD -	APPLICATION SPEC 114-18173-0			
1	PLC	±0.3																							
2	PLC	±																							
3	PAC	±																							
4	PLC	±																							
5	ANGLE	±2°																							
6	FINISH	-																							
MATERIAL			APVD -	SIZE A2																					
			APVD -	CAGE CODE 00779																					
			APVD -	DRAWING NO 968473																					
			APVD -	RESTRICTED TO -																					
			APVD -	SCALE 5:1																					
			APVD -	SHEET 1 OF 1																					
			APVD -	REV A5																					
			APVD -	CUSTOMER DRAWING																					