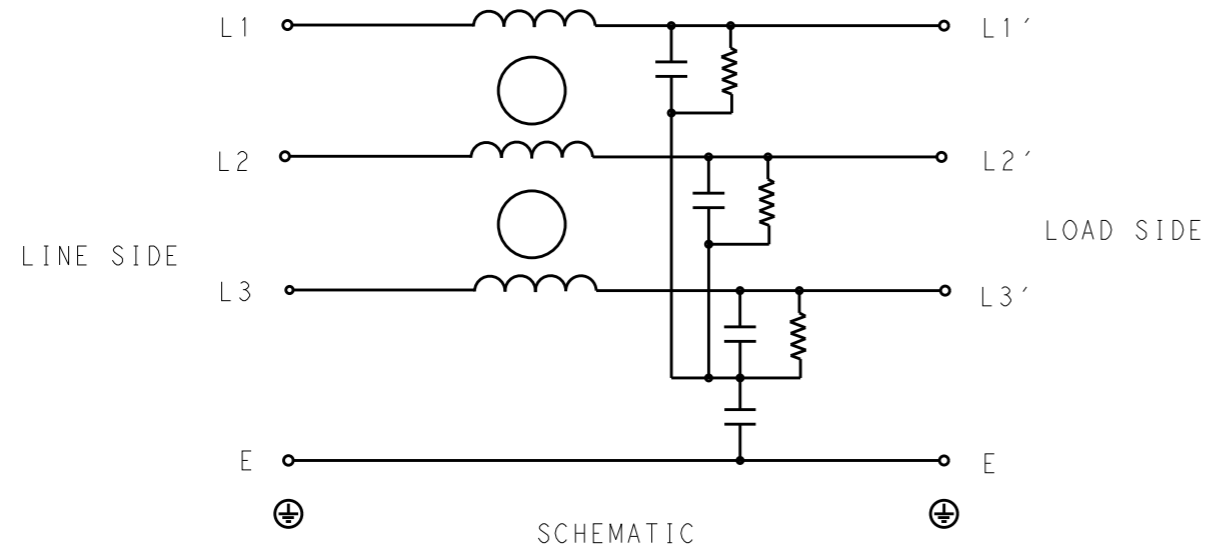
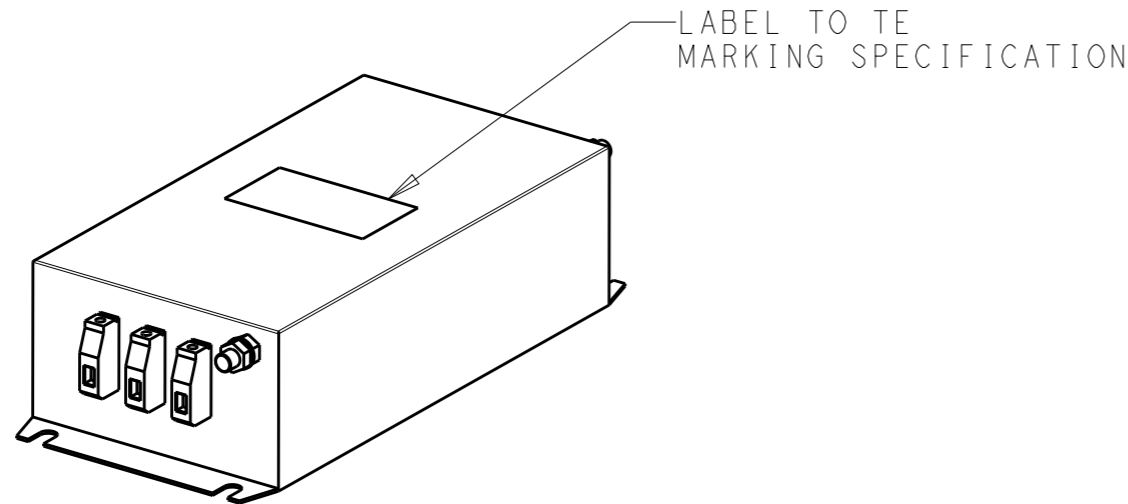


P	LTR	DESCRIPTION	DATE	DWN	APVD
	B	INITIAL RELEASE	07JUL2020	SB	LI



TYPICAL INSERTION LOSS
COMMON MODE 50/50Ω; DIFFERENTIAL MODE 50/50Ω

MHz	0.01	0.05	0.15	0.5	1	3	5	10	30
CM	4	5	8	15	18	22	35	42	45
DM	4	4	10	20	24	30	36	40	42



SAFETY ORGANIZATIONS

THIS FILTER WILL BE FORMALLY RECOGNIZED, CERTIFIED OR APPROVED BY THE LISTED AGENCY. THEREFORE, ALL TEST/REQUIREMENTS SPECIFIED IN THE LATEST REVISION OF THE FOLLOWING AGENCY STANDARDS WILL BE MET:

UL RECOGNIZED* 80A 440V 50Hz/60Hz 40°C

CSA CERTIFIED** 80A 440V 50Hz/60Hz 40°C

*31 JULY 2020 ; **31 AUGUST 2020

OPERATING SPECIFICATION

LINE CURRENT/VOLTAGE: 80A, 440VAC

LINE FREQUENCY: 50/60Hz

MAXIMUM LEAKAGE CURRENT: 6mA @ 230VAC, 50Hz

OPERATING AMBIENT TEMPERATURE RANGE @ RATED CURRENT: -25°C TO +40°C

IN AN AMBIENT, T_a, HIGHER THAN 40°C, THE MAXIMUM OPERATING CURRENT, I_o, IS AS FOLLOWS:

$$I_o = I_r \sqrt{\frac{85 - T_a}{45}}$$

RELIABILITY SPECIFICATIONS

STORAGE TEMPERATURE: -40°C TO +85°C

HUMIDITY: 21 DAYS @ 40°C AND 95% RH

TEST SPECIFICATIONS

INDUCTANCE, NOMINAL: 0.2mH

CAPACITANCE @ 1kHz

LINE TO GROUND, NOMINAL: 22nF

LINE TO LINE, NOMINAL: 2.5μF

DISCHARGE RESISTOR

L/G I.R. 680KΩ 2W

L/L I.R. 2MΩ 2W

L/N I.R. XXX

N/G I.R. XXX

IR (NO DISCHARGE RESISTOR) 20°C, 50% RH AND 100VDC, MIN: 6MΩ


RECOMMENDED RECEIVING INSPECITON HIPOT

LINE TO GROUND FOR 1 MINUTE: 2632VDC

LINE TO LINE FOR 1 MINUTE: 1892VDC

FILTER APPROVAL

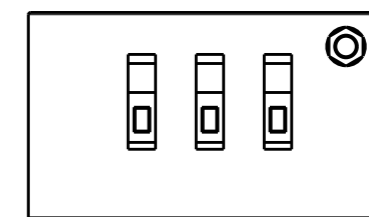
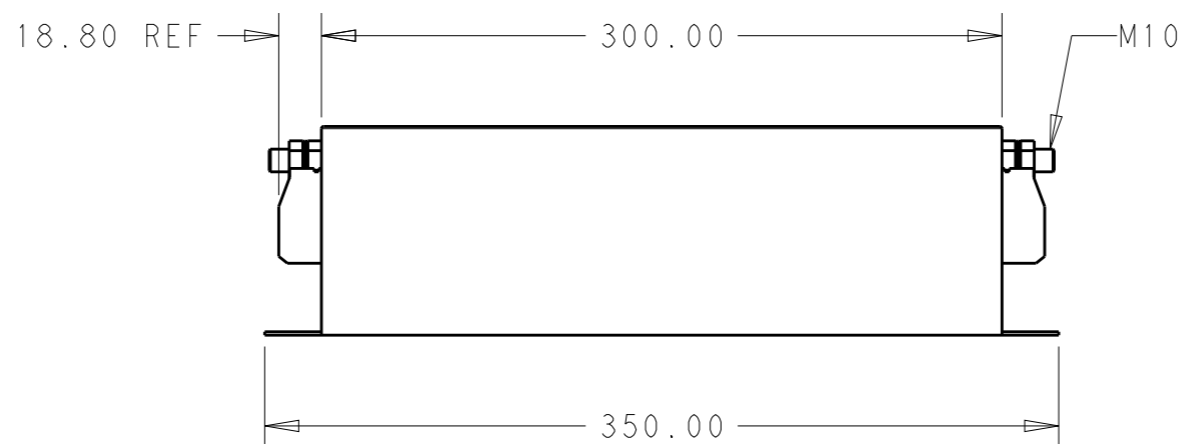
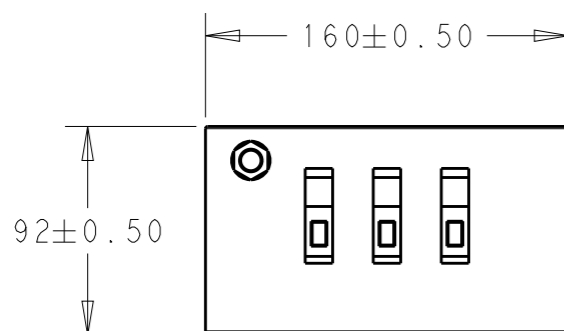
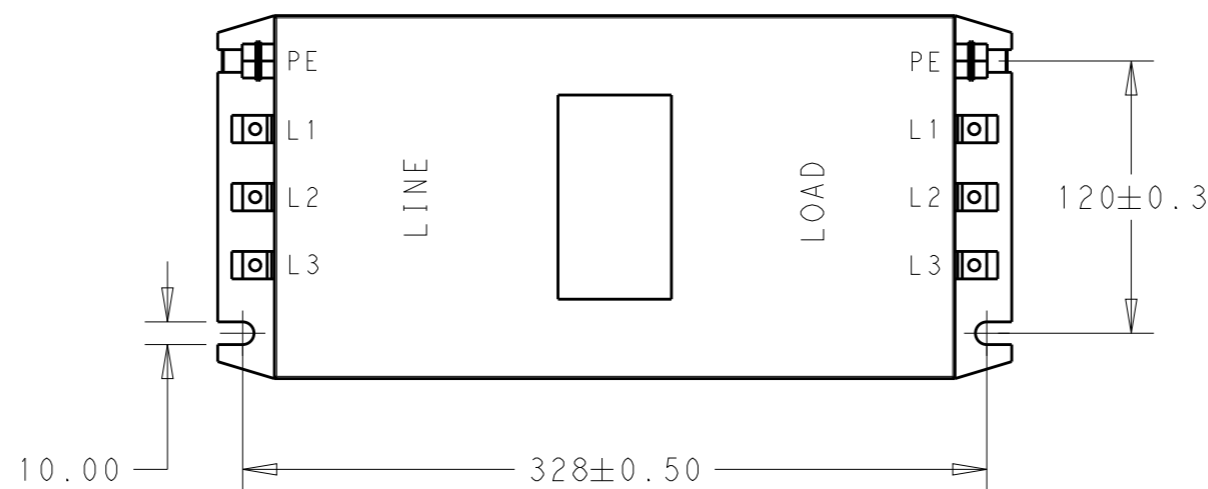
THE BEST WAY TO SELECT AND QUALIFY A FILTER IS FOR YOUR ENGINEERING TO TEST THE UNIT IN YOUR EQUIPMENT.

THIS DRAWING IS A CONTROLLED DOCUMENT.		DWN 19FEB2020 SHRICHARANA B	 TE Connectivity	
DIMENSIONS: mm		CHK 19FEB2020 LEO IRUDHAYARAJ		
TOLERANCES UNLESS OTHERWISE SPECIFIED:		APVD 19FEB2020 LEO IRUDHAYARAJ	NAME POWER LINE FILTER 80KEBS10AFPD	
0 PLC ±-		PRODUCT SPEC	SIZE	
1 PLC ±0.5		APPLICATION SPEC	CAGE CODE	
2 PLC ±0.40		WEIGHT	DRAWING NO	
3 PLC ±0.130		CUSTOMER DRAWING	RESTRICTED TO	
4 PLC ±0.0500			A300779	
ANGLES ±-			C-2-1609965-7	
MATERIAL			SCALE 1:4	
FINISH			SHEET 1 OF 2	
			REV B	

NOTE 1 GROUND CONNECTION:
DO NOT LOOSEN INNER GROUND NUTS.
TORQUE OUTER TERMINAL SCREWS: 2 Nm / 18 in lbs
TORQUE GROUND NUTS: 3.5-6Nm

NOTE 2 INPUT OUTPUT CONNECTION TERMINAL
AWG SIZE: 8-4 AWG
WIRE SECTION: 25 mm²
THREADED BOLT SIZE FOR GROUND: M8

P	LTR	DESCRIPTION	DATE	DWN	APVD
		SEE SHEET 1			



THIS DRAWING IS A CONTROLLED DOCUMENT.

DIMENSIONS: mm	
MATERIAL	FINISH
-	-

TOLERANCES UNLESS OTHERWISE SPECIFIED:	
0 PLC	±-
1 PLC	±0.5
2 PLC	±0.40
3 PLC	±0.130
4 PLC	±0.0500
ANGLES	±-
MATERIAL	FINISH
-	-

DWN	19FEB2020
SHRICHARANA B	
CHK	19FEB2020
LEO IRUDHAYARAJ	
APVD	19FEB2020
LEO IRUDHAYARAJ	
PRODUCT SPEC	-
APPLICATION SPEC	-
WEIGHT	-
CUSTOMER DRAWING	

		TE Connectivity	
NAME POWER LINE FILTER 80KEBS10AFPD			
SIZE	CAGE CODE	DRAWING NO	RESTRICTED TO
A3	00779	C-2-1609965-7	-
SCALE		SHEET	REV
3:10		2 OF 2	B