

Bandkontaktbuchse 1 mm

- Einsatzbereich:**
- 617 Isolierkörper 12-polig
 - 917 Isolierkörper 7-polig
 - 623 Isolierkörper 10/12/17/16+3-polig
 - 923 Isolierkörper 8/9-polig, 9-polig B
 - 627 Isolierkörper 26-polig

TE Teile Nr.: 60-0200-080-000
IC Ref. Nr.: 60.200.80

Elektrische Werte

Bemessungsstrom 5 A*
Durchgangswiderstand < 5 mOhm

Werkstoff

Kontakt Federbronze,
aktiver Bereich vergoldet

Anschluss

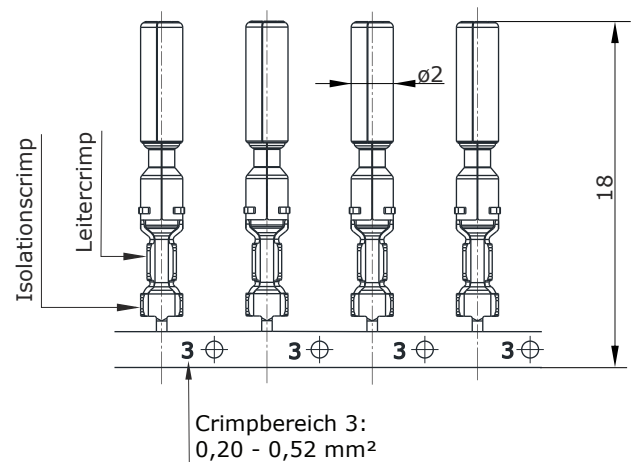
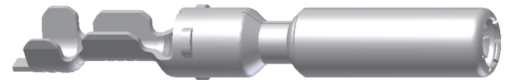
Anschlussart/-bereich Crimp/ 0,20 - 0,52 mm²
max. Litzenaußendurchmesser ø1,6 mm
Abisolierlänge 2,7 mm

Mechanische Werte

Steckzyklen 500

Werkzeuge (nicht im Lieferumfang enthalten)

Handcrimpzange TE Teile Nr.: C0-0078-000-000
IC Ref. Nr.: C0.078.00



Hauptabmessungen

Bandkontaktbuchsen





Bandoleer Contact Socket 1 mm

- for: - 617 Insulation Insert 12-pin
 - 917 Insulation Insert 7-pin
 - 623 Insulation Insert 10/12/17/16+3-pin
 - 923 Insulation Insert 8/9-pin, 9-pin B
 - 627 Insulation Insert 26-pin

TE part number: 60-0200-080-000
 IC reference number: 60.200.80

Electrical Data

rated current max. 5 A*
 contact resistance < 5 mOhm

Material

contact phosphorus bronze,
 active area gold plated

Termination

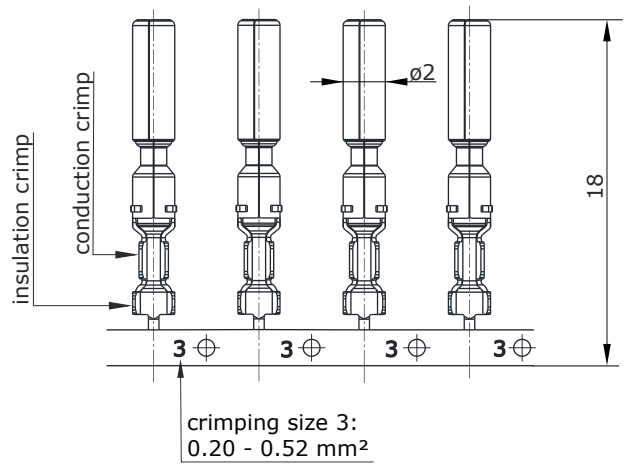
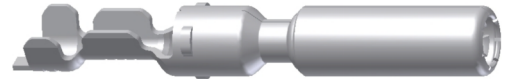
cross-section crimp/ 0.20 - 0.52 mm²
 max. outer wire diameter ϕ 1.6 mm
 stripping length 2.7 mm

Mechanical Data

mating cycles 500

Tools (not part of product contents)

crimping tool TE part no.: C0-0078-000-000
 IC ref. no.: C0.078.00



Main Dimensions
 bandoleer contact socket

Y6-B379-000-0EN issued: 03.05.2010/Ra; modified: 31.10.2019/KC

© 2019 TE Connectivity

TE Connectivity, TE connectivity (logo), intercontec (logo) and speedtec are trademarks.

While TE Connectivity (TE) has made every reasonable effort to ensure the accuracy of the information in this presentation, TE does not guarantee that it is error-free, nor does TE make any other representation, warranty or guarantee that the information is accurate, correct, reliable or current. TE reserves the right to make any adjustments to the information contained herein at any time without notice. TE expressly disclaims all implied warranties regarding the information contained herein, including, but not limited to, any implied warranties of merchantability or fitness for a particular purpose. The dimensions in this article are for reference purposes only and are subject to change without notice. Specifications are subject to change without notice. Consult TE for the latest dimensions and design specifications.

TE Connectivity Industrial GmbH
 Bernrieder Straße 15
 94559 Niederwinkling, Germany
 +49 9962 2002 - 0
intercontec@te.com
www.intercontec.biz



* for max. wire cross-section