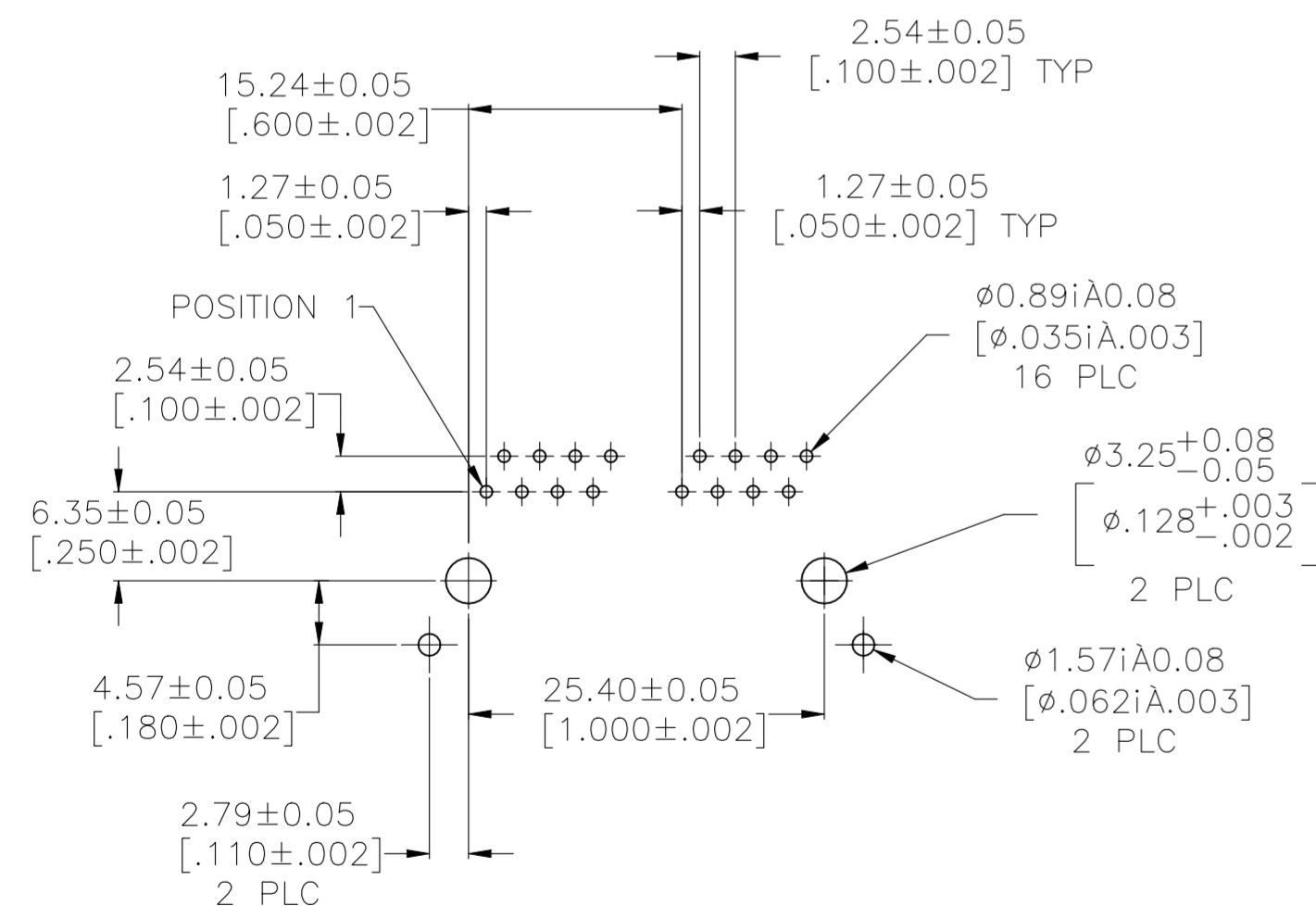
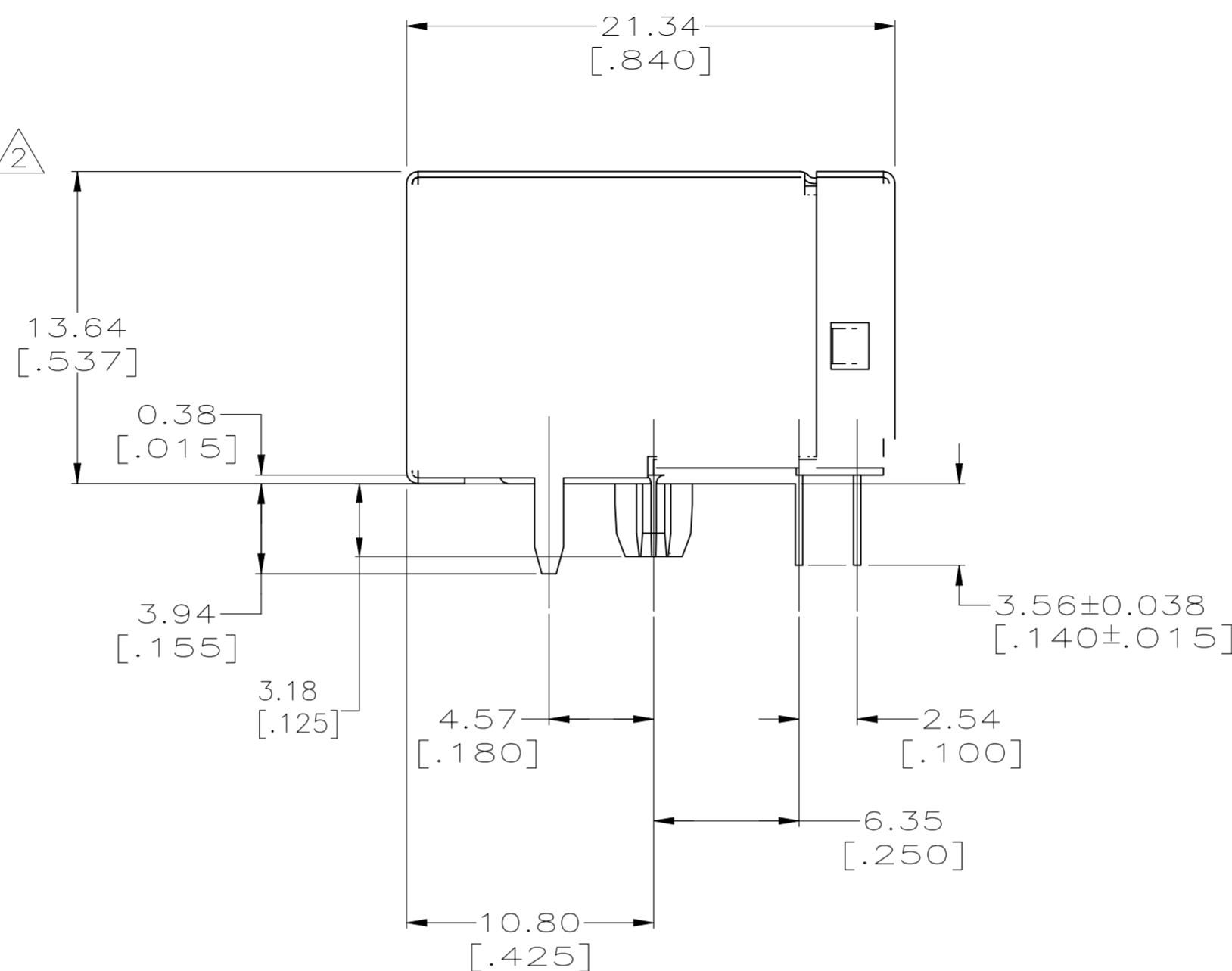
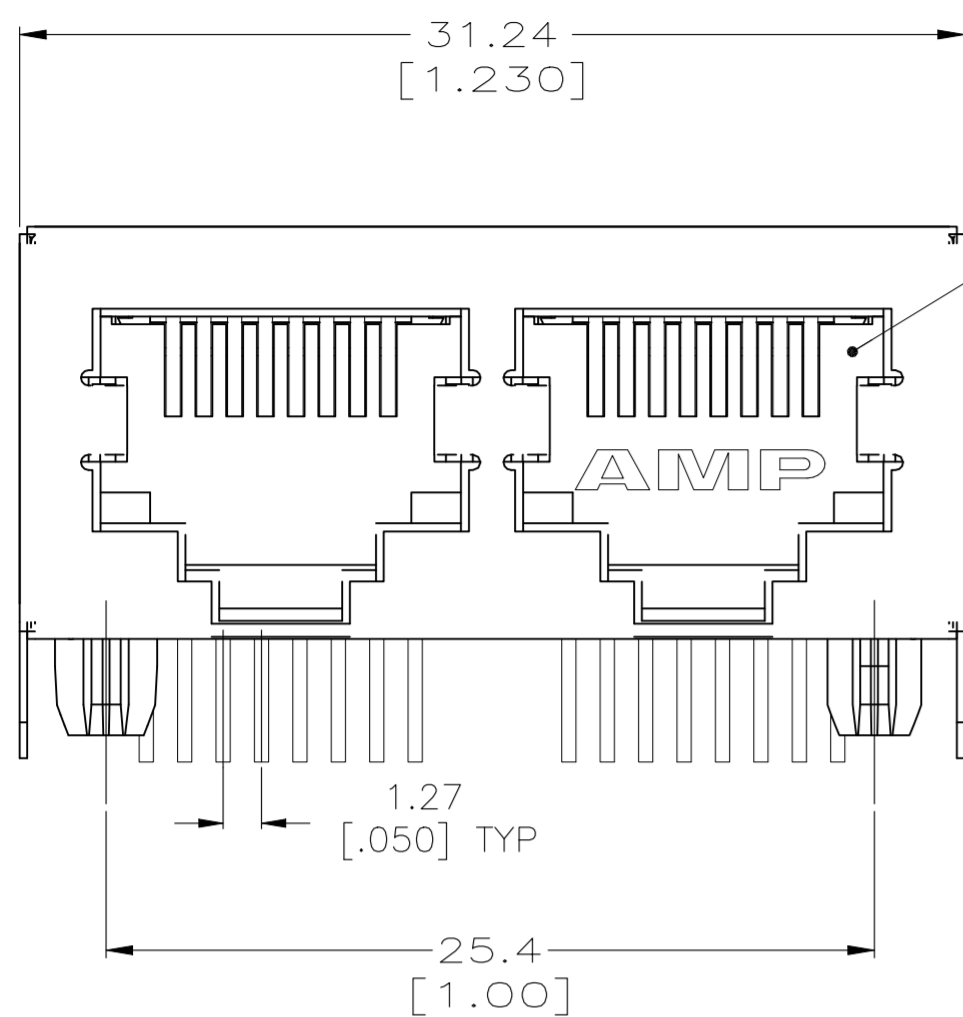


REVISIONS					
P	LTR	DESCRIPTION	DATE	DWN	APVD
	D2	ECR-19-014657	13DEC2020	RR	SZ



RECOMMENDED PC BOARD LAYOUT
COMPONENT SIDE
SEE APPLICATION SPECIFICATION

- 1 MATERIAL:
HOUSING - NYLON, COLOR: BLACK, UL 94V-0.
OVERMOLDED TERMINAL ARRAY - PBT, BROWN.
TERMINAL - 0.33[.013] THICK PHOS-BRONZE PLATED WITH 1.27µm[.000050] THICK HARD GOLD IN LOCALIZED GOLD PLATE AREA AND 3.81µm[.000150] THICK MATTE TIN IN SOLDER AREA OVER 1.27µm[.000050] THICK NICKEL UNDERPLATE.
SHIELDS - 0.25 [.010] THICK COPPER ALLOY PLATED WITH 1.27 µm [.000050] MINIMUM NICKEL AND 2.03 µm [.000080] MINIMUM HOT TIN DIP ON PCB GROUND TABS.
- 2 JACK CAVITY CONFORMS TO FCC RULES AND REGULATIONS PART 68, SUBPART F.
- 3 MATERIAL:
HOUSING - NYLON, COLOR: BLACK, UL 94V-0.
OVERMOLDED TERMINAL ARRAY - HTN.
TERMINAL - 0.33[.013] THICK PHOS-BRONZE PLATED WITH 1.27µm[.000050] THICK HARD GOLD IN LOCALIZED GOLD PLATE AREA AND 3.81 µm [.000080] MINIMUM HOT TIN DIP ON PCB GROUND TABS.
SHIELDS - 0.25 [.010] THICK COPPER ALLOY PLATED WITH 1.27 µm [.000050] MINIMUM NICKEL AND 2.03 µm [.000080] MINIMUM HOT TIN DIP ON PCB GROUND TABS.

1	5406443-2
2	5406443-1
MATERIAL	PART NUMBER

THIS DRAWING IS A CONTROLLED DOCUMENT.		DWN	10MAY2005	DL DRUMMOND/L.A.MAYER	
DIMENSIONS: mm		CHK	10MAY2005	J.WESTMAN	
TOLERANCES UNLESS OTHERWISE SPECIFIED:		APVD	10MAY2005	S.FLICKINGER	
0 PLC ± -		PRODUCT SPEC		108-1163-2	
1 PLC ± -		APPLICATION SPEC		114-2048	
2 PLC ± 0.25[.01]		WEIGHT	0.000000	SIZE	A2
3 PLC ± 0.13[.005]		CUSTOMER DRAWING	000779	CAGE CODE	C=5406443
4 PLC ± -		SCALE		4:1	
ANGLES ± -		SHEET		1 of 1	
FINISH		REV		D2	
SEE NOTE 1		SEE NOTE 1		REV	



MODULAR JACK ASY,
2 PORT,8 POSITION,CAT 5e,
STD PIN OUT,RIGHT ANGLE,SHIELDED