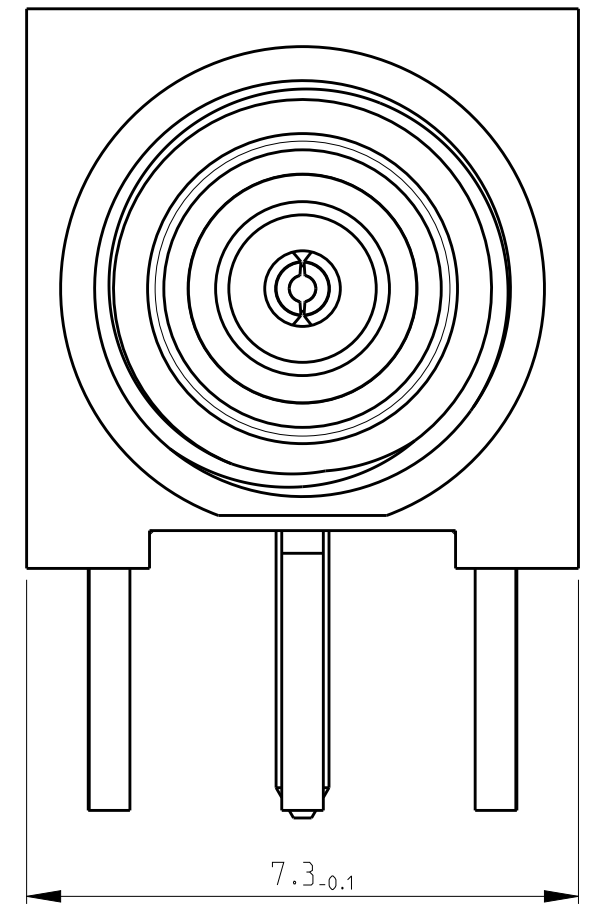
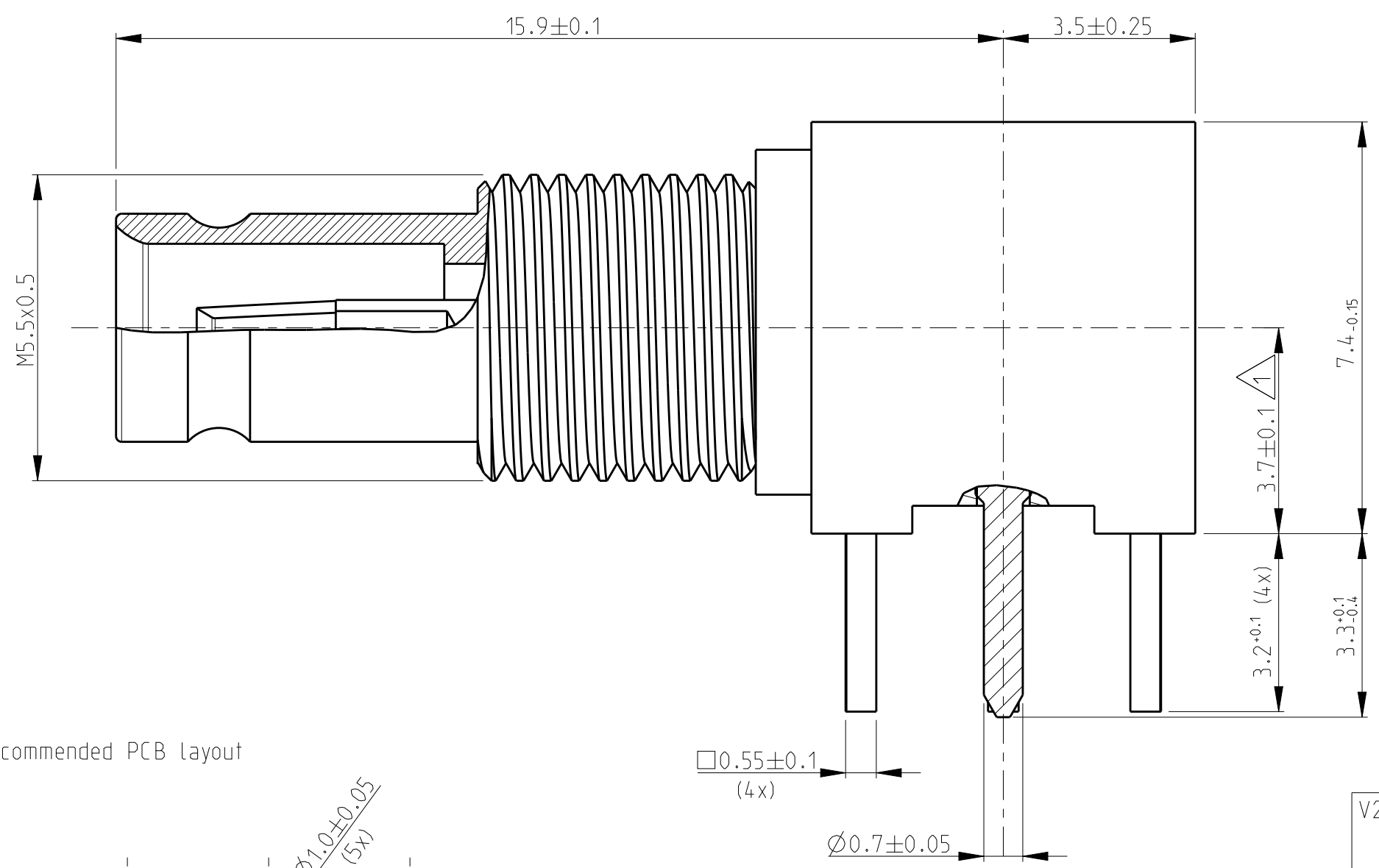
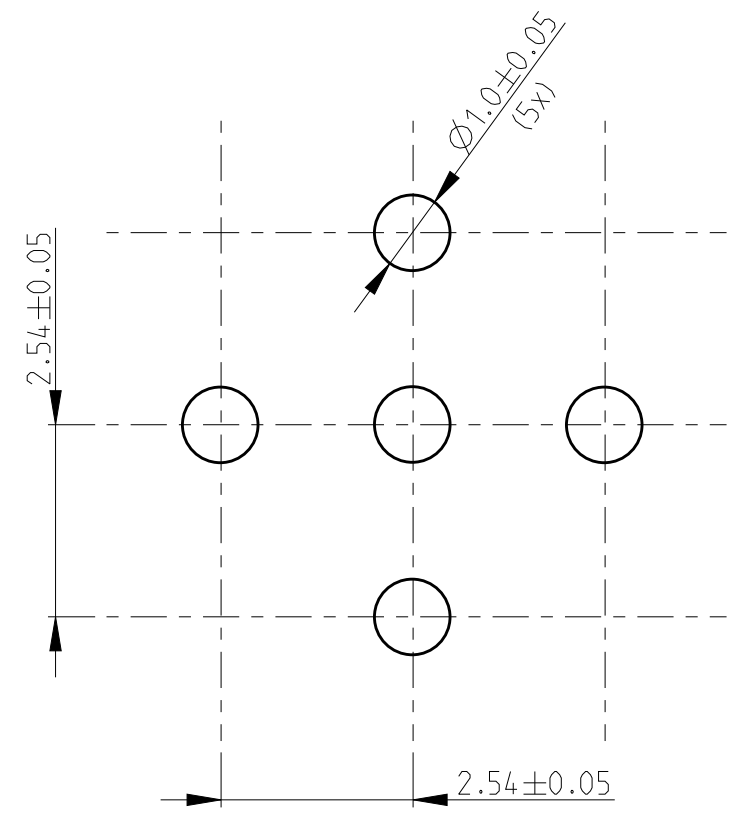


THIS DRAWING IS UNPUBLISHED. RELEASED FOR PUBLICATION 20
 © COPYRIGHT 20 BY - ALL RIGHTS RESERVED.

REVISIONS					
P	LTR	DESCRIPTION	DATE	DWN	APVD
B1		REVISED PER ECR-19-003418	11MAR2019	ED	RS
A3		ECR-07-030440	17DEC2007	MS	DB
A2		ECR-07-030292	14DEC2007	MS	DB
A1		SR10-0138-01	5APR2001	CM	KM

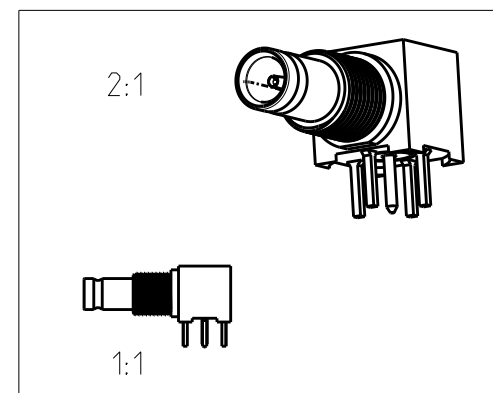


Recommended PCB layout



2. Mating face according to DIN 47297 and CECC 22230
 1 Installation dimension
 All dimensions are max dimensions unless otherwise specified

V23600-A1227-G1	3-1393670-9	Body	Brass	4 µm Ag min / Sn on solder pins
		Dielectric	PTFE	
		Outer Con.	Brass	1 µm Au min in contact area or equivalent
		Center Con.	Cu Be / Bz4	1 µm Au min in contact area or equivalent
Old Nr	TE Nr	Description	Material	Plating



DIMENSIONS:		TOLERANCES UNLESS OTHERWISE SPECIFIED:	
mm			
0 PLC	±		
1 PLC	±0.5		
2 PLC	±0.13		
3 PLC	±0.013		
4 PLC	±0.0001		
ANGLES	±		
MATERIAL		FINISH	
-		-	

DWN	MOROBE	02APR2001
CHK	MATTHEEUW	03APR2001
APVD	B0ZZER	05APR2001
PRODUCT SPEC	108-71032	
APPLICATION SPEC	-	
WEIGHT	-	

STE TE Connectivity

NAME: BULKHEAD ANGLE JACK WITH PCB CONNECTION 1.0/2.3 50 Ohm

SIZE	CAGE CODE	DRAWING NO	RESTRICTED TO
A3	00779	3-1393670-9	

CUSTOMER DRAWING SCALE 10:1 SHEET 1 OF 1 REV B1