

THIS DRAWING IS UNPUBLISHED.

RELEASED FOR PUBLICATION

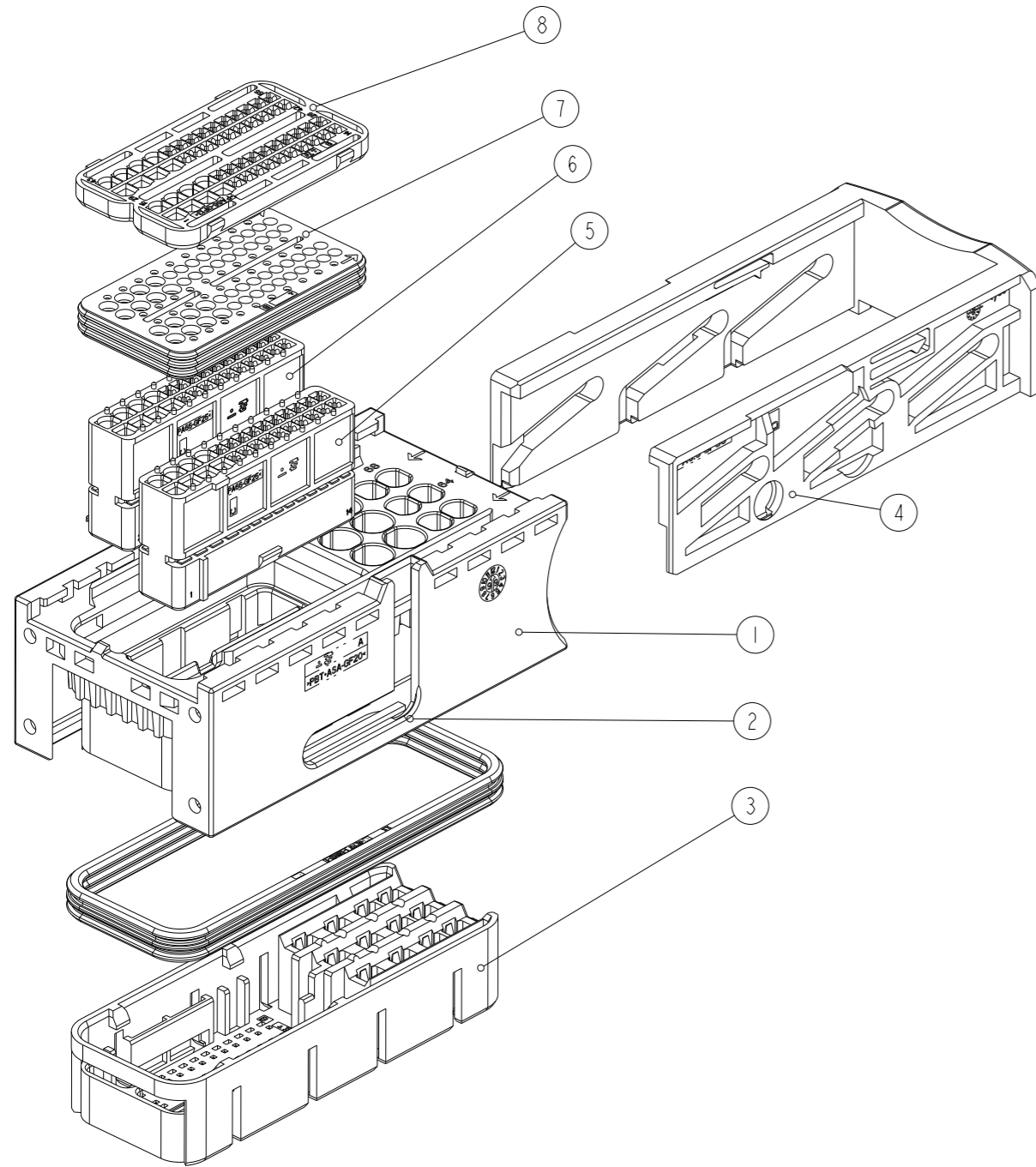
© COPYRIGHT copyright_dBTe-

ALL RIGHTS RESERVED.

DS

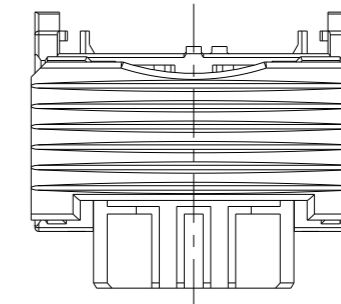
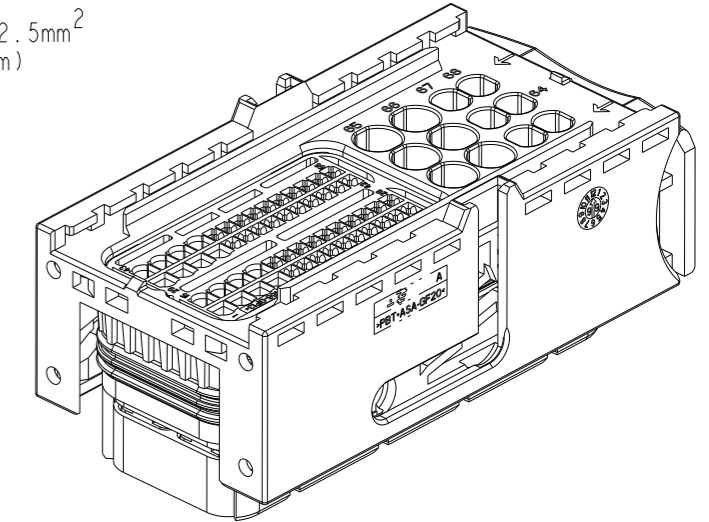
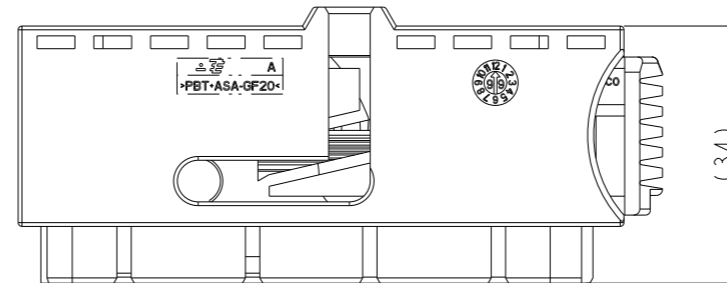
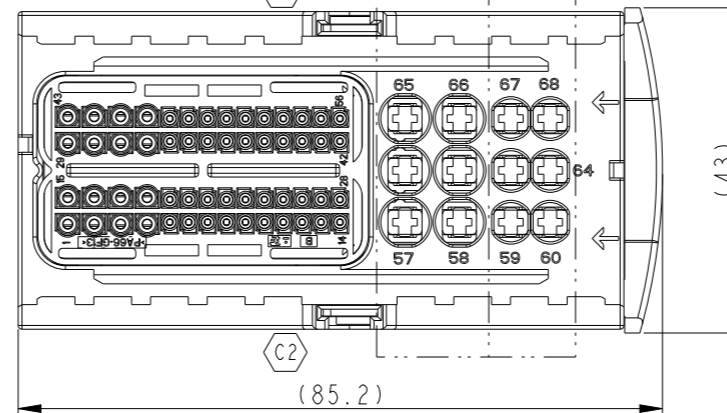
REVISIONS

| P | LTR | DESCRIPTION | DATE | DWN | APVD |
|---|-----|-------------------------|-----------|-----|------|
| | C | REVISED (ECR-12-010482) | 05APR2012 | YH | HG |
| | C1 | REVISED (ECR-13-006743) | 22APR2013 | YH | HG |
| | C2 | REVISED (ECR-17-010626) | 21JUL2017 | YH | KT |
| | D | REVISED (ECR-21-000441) | 09JUL2021 | YH | YJ |



MCP 2.8 TERMINAL (6X) IN THIS AREA
 (C1) WIRE SIZE RANGE 2.0~3.0mm² (INSULATION 2.6~3.7mm)

MCP 2.8 TERMINAL (6X) IN THIS AREA
 (C1) WIRE SIZE RANGE 0.5~2.5mm² (INSULATION 1.4~3.0mm)



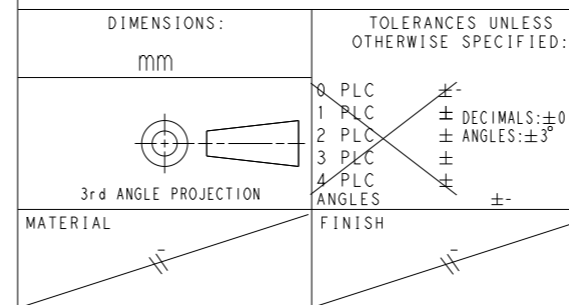
ASS'Y P/N
2005210-2

Notes

- 1. SUITABLE RETAINERS: 2005215, 2005216
- 2. SUITABLE CONTACTS : SEE TABLE

| CONTACT NAME | WIRE SIZE RANGE (mm ²) | DIAMETER OF INSULATION (mm) | TERMINAL PART NUMBER | SING WIRE SEAL | CAVITY PLUG | USED CIRCUIT NO. |
|--------------|------------------------------------|-----------------------------|----------------------|----------------|-------------|----------------------|
| MQS | 0.35~0.5 | ∅1.4~∅1.6 | 968220(2005119) | N/A | 1897421-2 | ALL OF 0.63TAB |
| | 0.5~0.75 | ∅1.6~∅1.9 | 968221(2005120) | N/A | | |
| MQS 1.5 | 0.5 | ∅1.6~∅1.7 | (C1) 1452158 | N/A | 1897422-1 | ALL OF 1.5TAB |
| | 0.75~1.5 | ∅1.7~∅2.4 | 1241608 | N/A | | |
| MCP 2.8 | 0.5~1.0 | ∅1.4~∅2.1 | 968855 | 828904-1 | 828922-1 | 59,60,63,64 67,68 |
| | 1.5~2.5 | ∅2.2~∅3.0 | 968857 | 828905-1 | | |
| | 2.0~2.5 | ∅2.6~∅3.1 | (C1) 968857 | 828985-1 | 828986-1 | 57,58,61,62 65,66 |
| | 3.0 | ∅3.0~∅3.7 | 968859 | | | |

THIS DRAWING IS A CONTROLLED DOCUMENT.



| | |
|------------------|-----------|
| DWN | YH MA |
| CHK | KT LIM |
| APVD | HG CHO |
| PRODUCT SPEC | 108-61224 |
| APPLICATION SPEC | 114-61046 |
| WEIGHT | - |
| CUSTOMER DRAWING | |

STE TE Connectivity

NAME: MQS/1.5mm/2.8mm TCU 68P PLUG ASS'Y

| NO | FINISH/COLOR | MATERIAL | DESCRIPTION | QTY |
|----------|--------------|--------------|-----------------|-----|
| (C) 8 | BLACK | PA66-GF13 | SEAL HOLDER HSG | 1 |
| (D)(B) 7 | RED-BROWN | SILICONE | FAMILY SEAL | 1 |
| 6 | BROWN | PA66-GF13 | REC. HSG COD. B | 1 |
| (C) 5 | BLACK | PA66-GF13 | REC. HSG COD. A | 1 |
| (D) 4 | BLACK | PA66-GF30 | SLIDE | 1 |
| (D) 3 | BLACK | PBT+ASA-GF20 | CAVITY BLOCK | 1 |
| 2 | NATURAL | SILICONE | SEALING | 1 |
| (D)(C) 1 | BLACK | PBT+ASA-GF20 | CARRIER HOUSING | 1 |

SIZE: A3 CAGE CODE: 00779 DRAWING NO: C-2005210 RESTRICTED TO: -

SCALE: 1:1 SHEET: 1 OF 1 REV: D