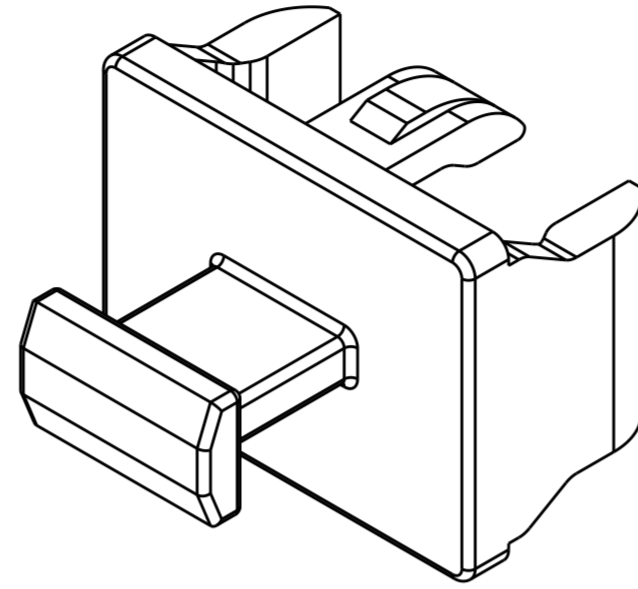
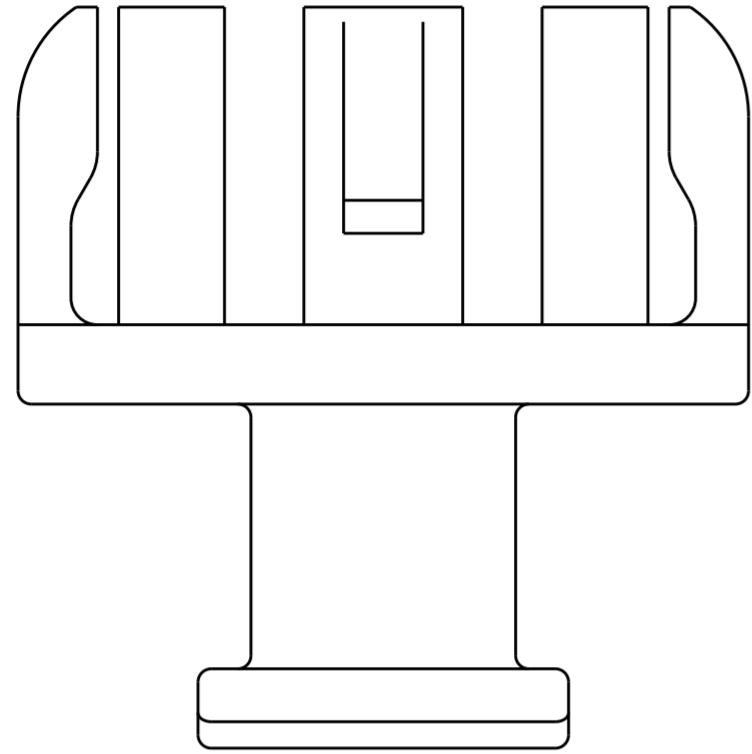


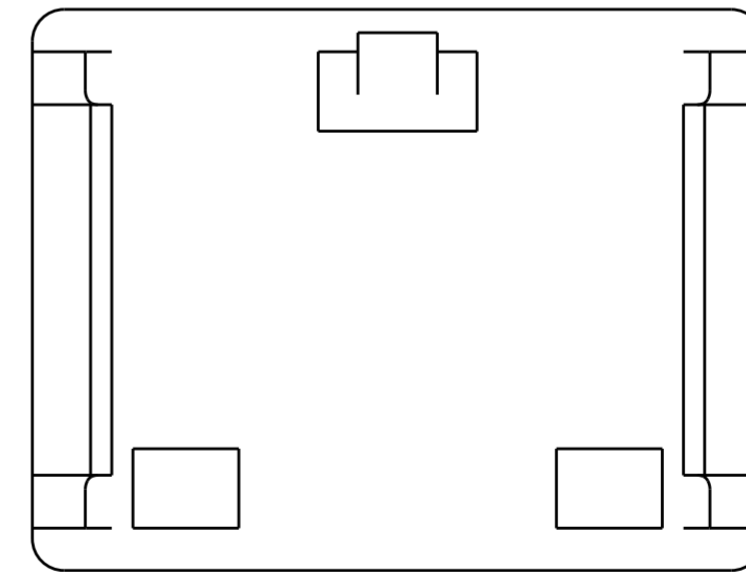
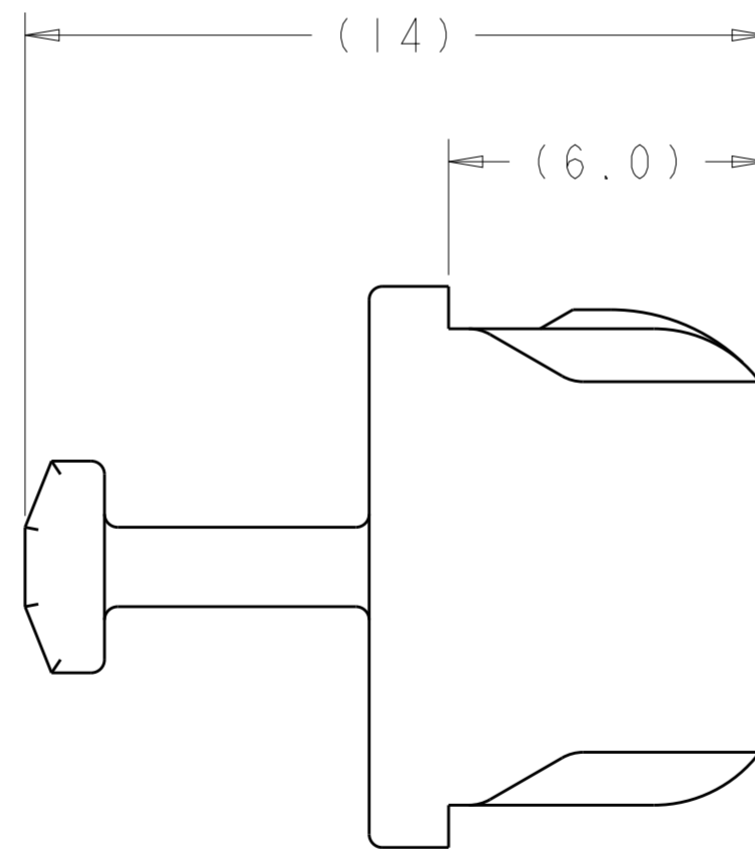
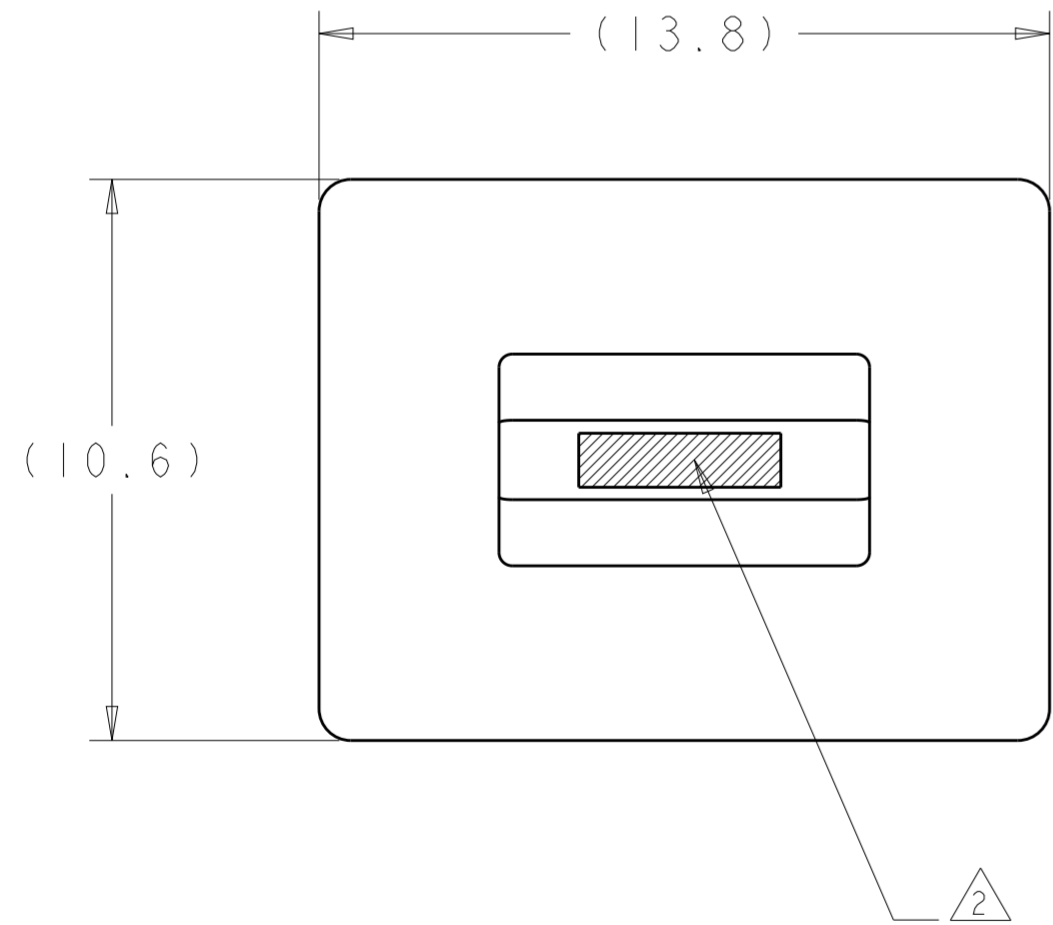
THIS DRAWING IS UNPUBLISHED. RELEASED FOR PUBLICATION 20
 © COPYRIGHT 20 TE Connectivity ALL RIGHTS RESERVED.

LOC	DIST	REVISIONS					
GP	00	P	LTR	DESCRIPTION	DATE	DWN	APVD
		C		REVISED PER ECR-11-016645	11AUG2011	KS	MQ.W
		C1		REVISED PER ECO-14-003476	10MAR2014	JW	SH
		C2		REVISED PER ECR-19-006809	29APR2019	IT	SH



1761394-1 3D VIEW

- 1 THERMOPLASTIC MOLDING COMPOUND, MATERIAL FLAMMABILITY RATING: UL 94V-0
- 2 COMPANY LOGO IN APPROXIMATE AREA SHOWN.

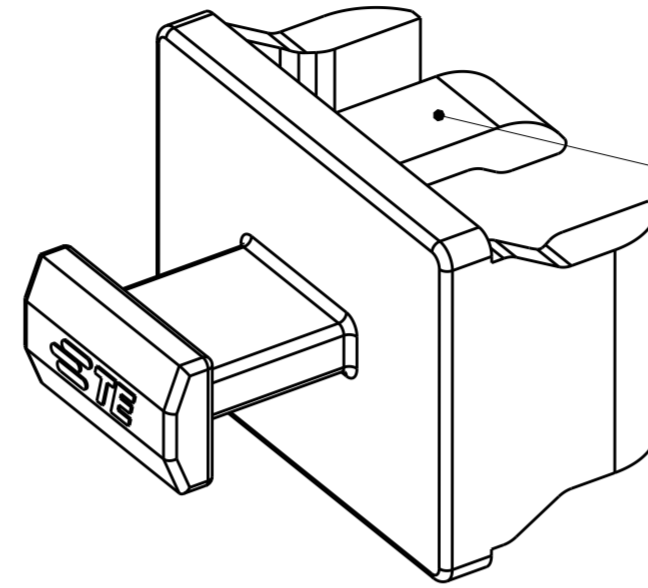
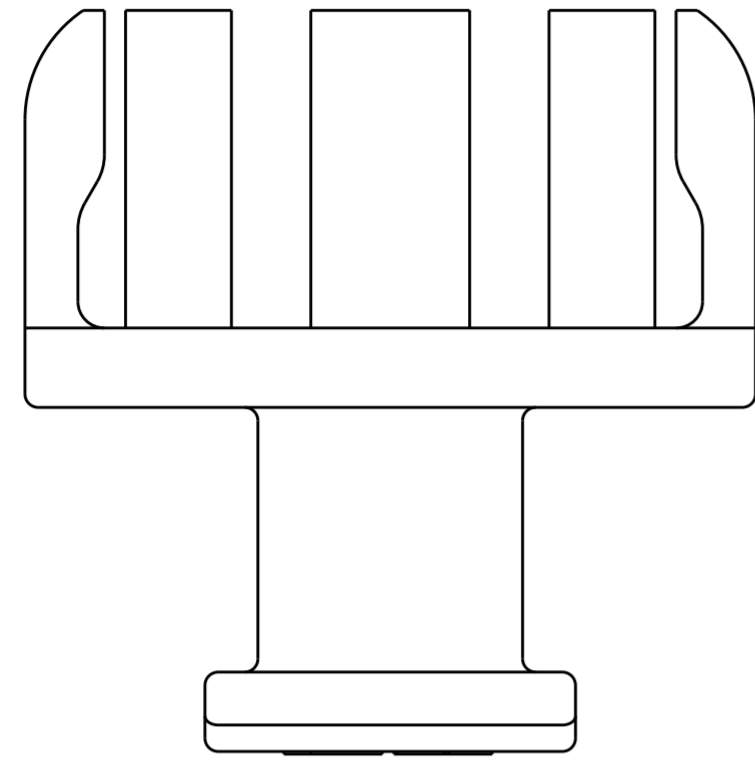


1761394-1
PART NUMBER

THIS DRAWING IS A CONTROLLED DOCUMENT.		DWN J. GERACE 15JUL04	STE TE Connectivity	
DIMENSIONS: mm		CHK J. KOPPENHEFFER 30SPR05		
TOLERANCES UNLESS OTHERWISE SPECIFIED:		APVD M. WALMSLEY 30APR05	NAME DUST COVER, GANGED AND STACKED, SFP	
0 PLC ± 1 PLC ±0.2 2 PLC ± 3 PLC ± 4 PLC ± ANGLES ± FINISH		PRODUCT SPEC -	SIZE A200779	CAGE CODE C-1761394
MATERIAL 1		APPLICATION SPEC -	DRAWING NO C-1761394	RESTRICTED TO
		WEIGHT -	SCALE 7:1	SHEET 1 OF 2 REV C2
		CUSTOMER DRAWING		

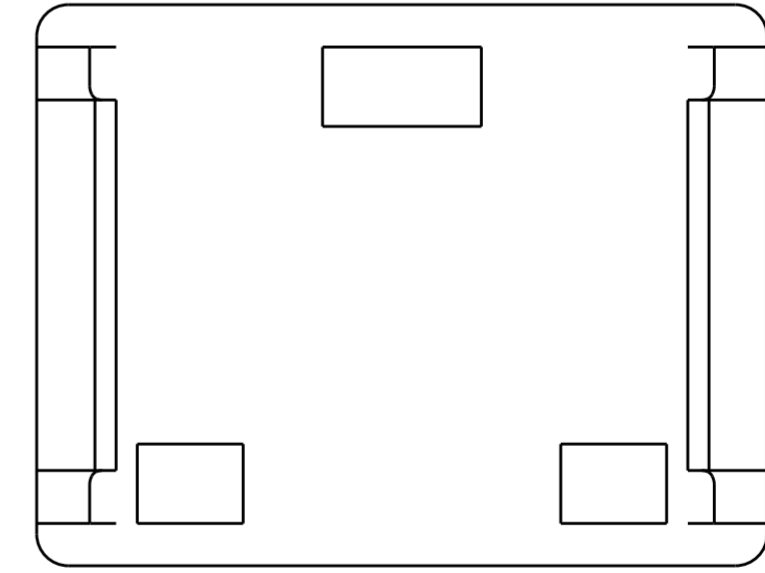
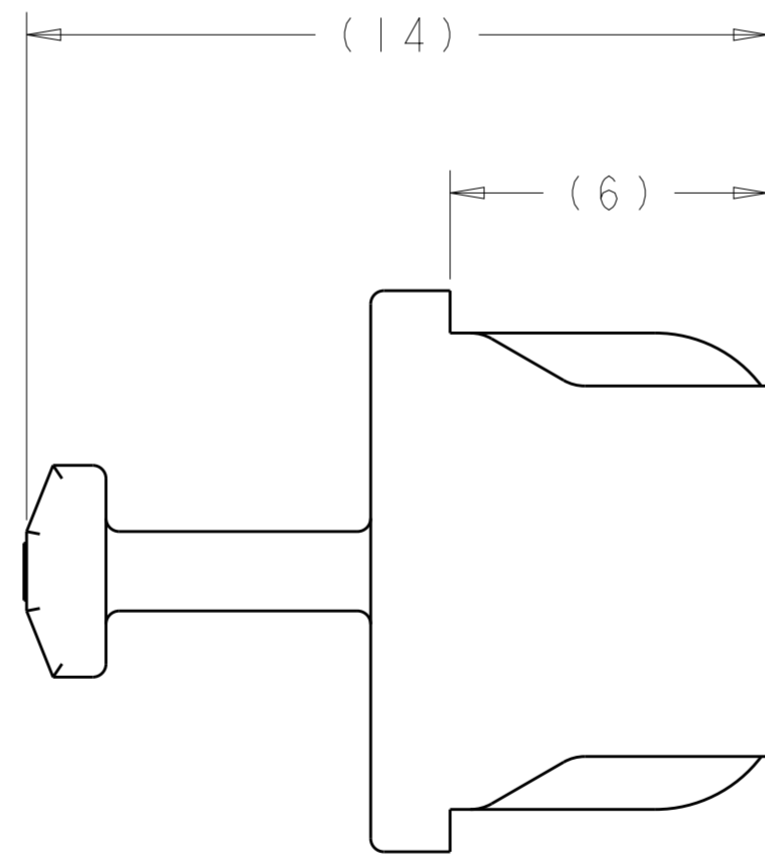
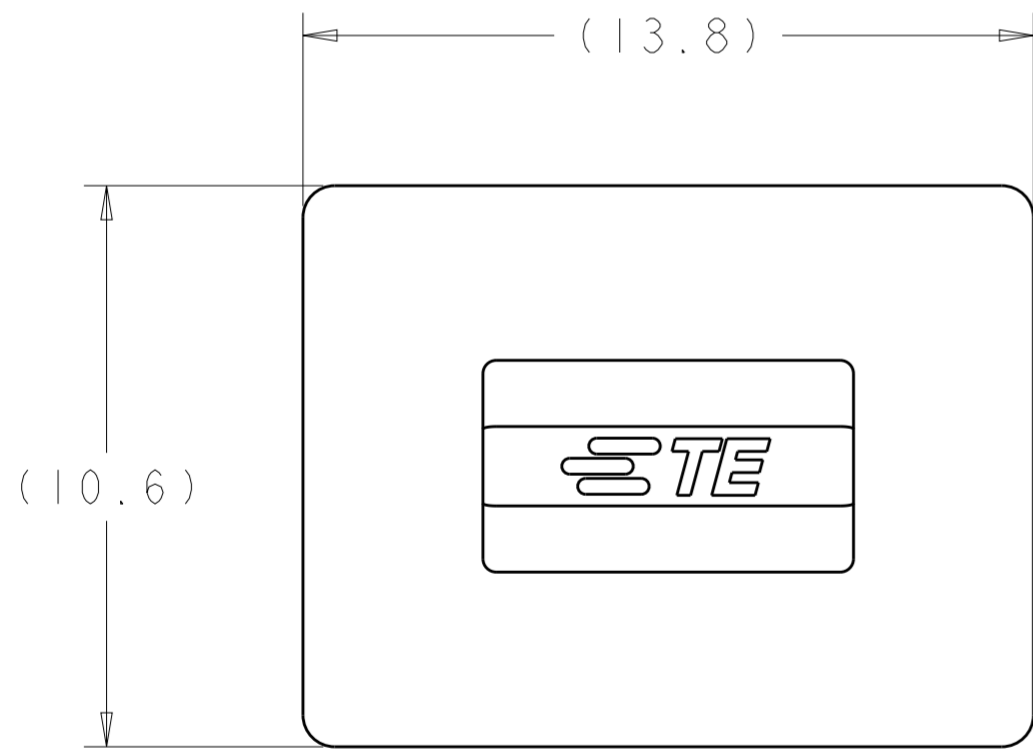
THIS DRAWING IS UNPUBLISHED. RELEASED FOR PUBLICATION 20
 © COPYRIGHT 20 TE Connectivity ALL RIGHTS RESERVED.

LOC	DIST	REVISIONS					
GP	00	P	LTR	DESCRIPTION	DATE	DWN	APVD
		-		SEE SHEET 1			



FLAT
OTHERS SAME AS 1761394-1

1761394-3 3D VIEW



1761394-3
PART NUMBER

THIS DRAWING IS A CONTROLLED DOCUMENT.		DWN J. GERACE 15JUL04	STE TE Connectivity	
DIMENSIONS: mm		CHK J. KOPPENHEFFER 30SPR05		
TOLERANCES UNLESS OTHERWISE SPECIFIED:		APVD M. WALMSLEY 30APR05	NAME DUST COVER, GANGED AND STACKED, SFP	
0 PLC ±	1 PLC ±0.2	PRODUCT SPEC	SIZE	CAGE CODE
2 PLC ±	3 PLC ±	APPLICATION SPEC	A200779	C-1761394
4 PLC ±	ANGLES ±	WEIGHT	RESTRICTED TO	
FINISH		CUSTOMER DRAWING	SCALE 7:1	SHEET 2 OF 2