

D-SUB cable - VS-25-DSUB-20-LI-2,0 - 1656301

Please be informed that the data shown in this PDF Document is generated from our Online Catalog. Please find the complete data in the user's documentation. Our General Terms of Use for Downloads are valid (<http://phoenixcontact.com/download>)



Assembled D-SUB cable shielded, 25-pos., stranded (7-wire), cable color RAL 7000 (gray), IP20 degree of protection, head 1 with socket shell 3 and straight cable outlet, head 2 with pin shell 3 and straight cable outlet, length: 2 m

Key Commercial Data

Packing unit	1 pc
GTIN	
GTIN	4046356029780

Technical data

Mechanical characteristics

Number of positions	25
Shielded	yes
Insertion/withdrawal cycles	≥ 50
Cable outlet	straight
Degree of protection	IP20

Ambient conditions

Ambient temperature (operation)	0 °C ... 70 °C
Degree of protection	IP20

Material data

Housing material	PVC
Contact material	Copper alloy
Contact surface material	gold-plated
Outer sheath, material	PVC

Electrical characteristics

Number of positions	25
Rated current	1 A

D-SUB cable - VS-25-DSUB-20-LI-2,0 - 1656301

Technical data

Electrical characteristics

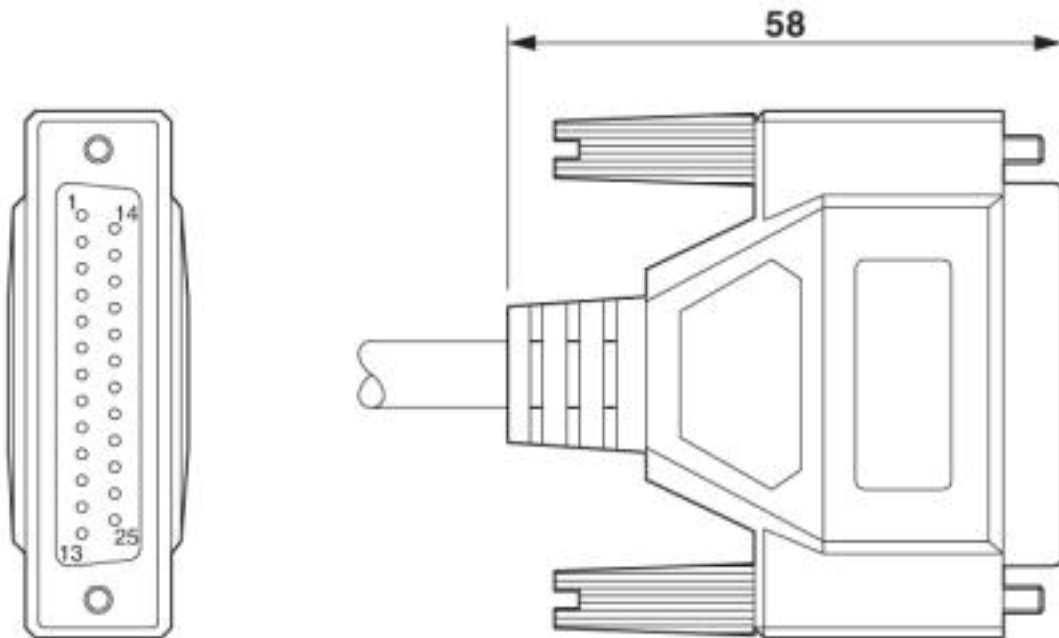
Overvoltage category	III
Degree of pollution	2
Rated voltage (III/3)	125 V

Environmental Product Compliance

China RoHS	Environmentally friendly use period: unlimited = EFUP-e
	No hazardous substances above threshold values

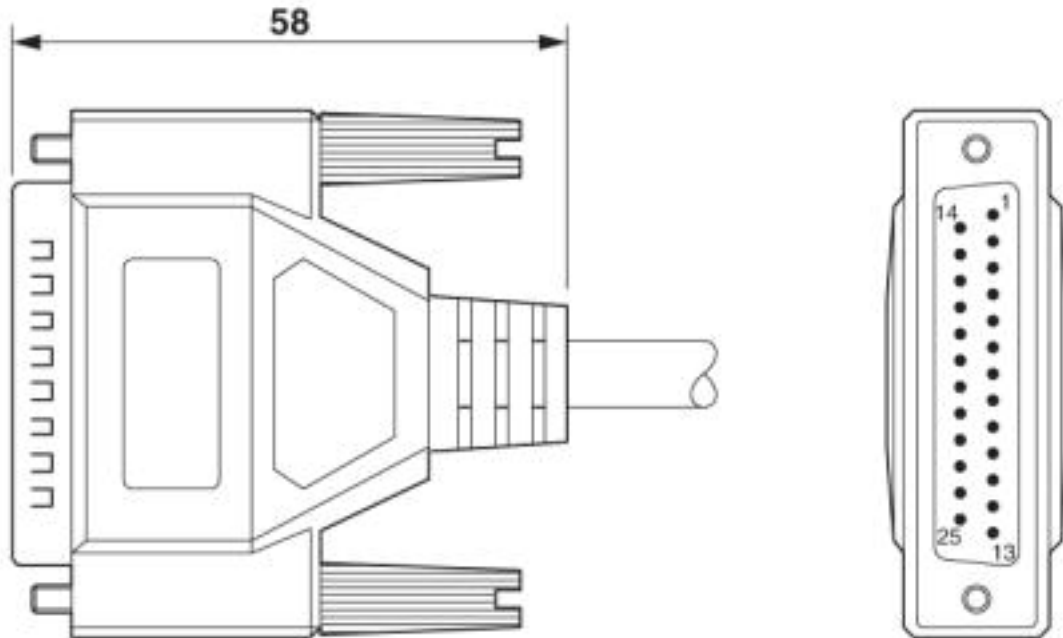
Drawings

Dimensional drawing

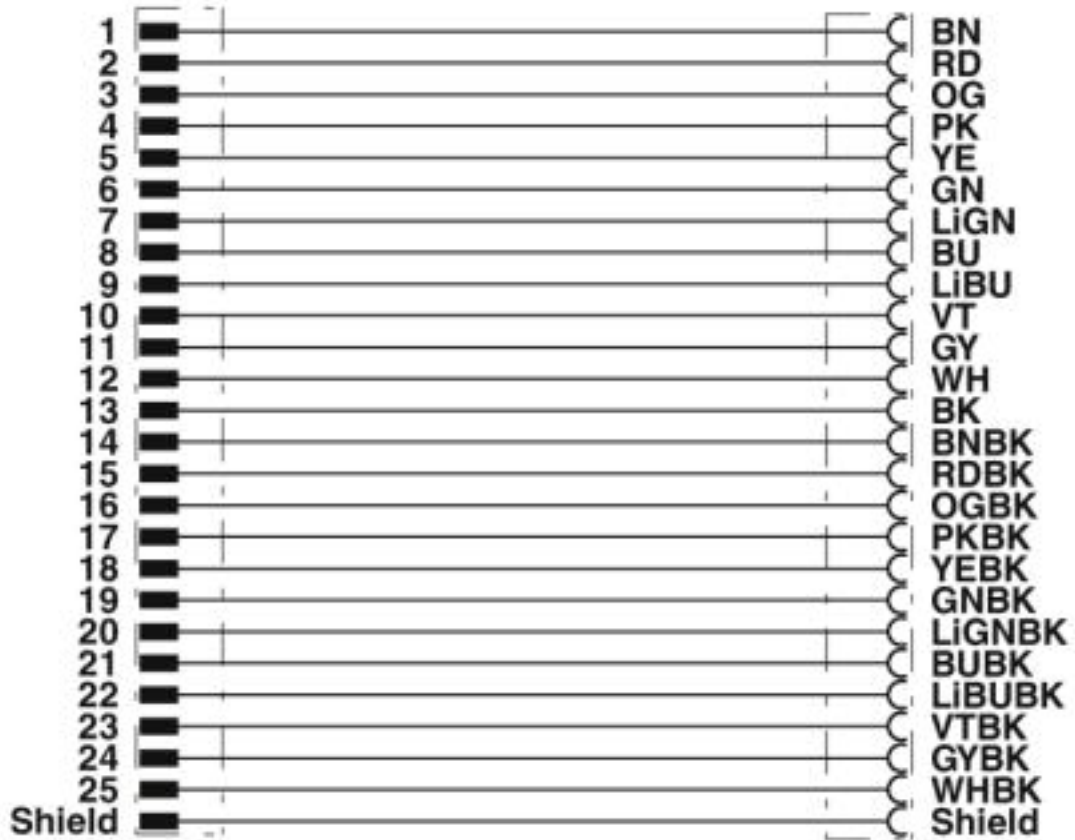


D-SUB cable - VS-25-DSUB-20-LI-2,0 - 1656301

Dimensional drawing

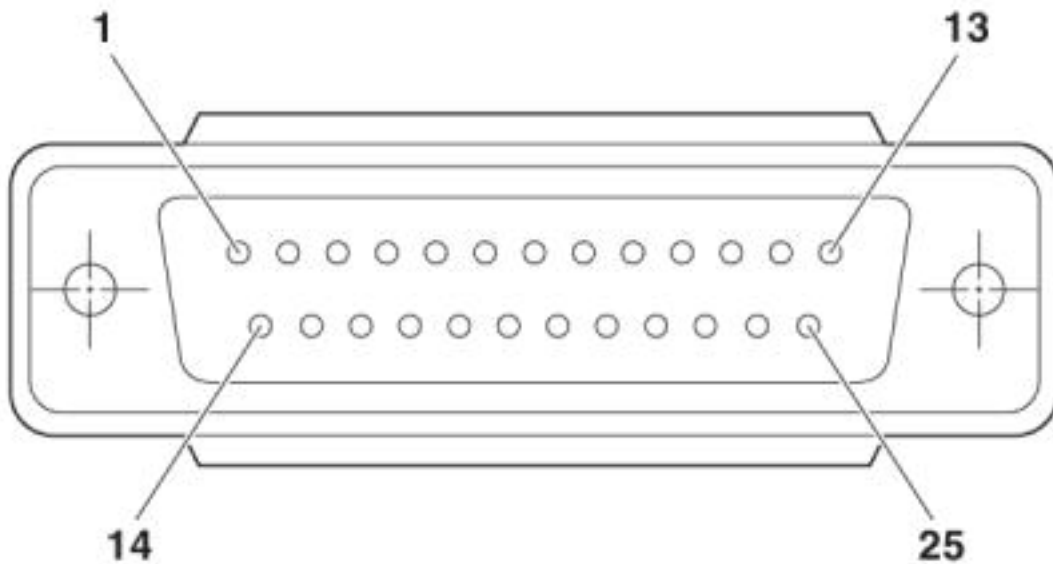


Circuit diagram

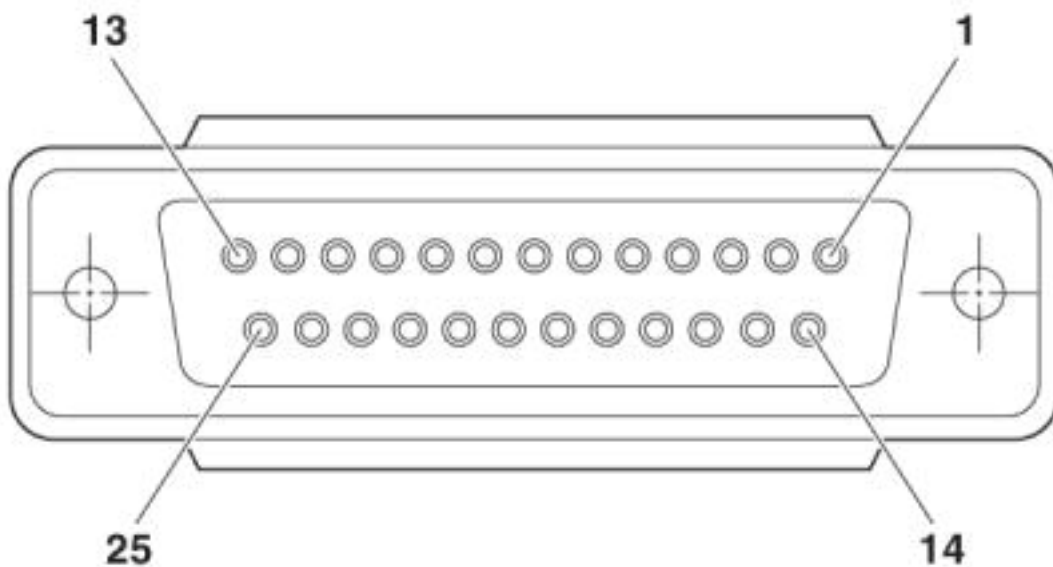


D-SUB cable - VS-25-DSUB-20-LI-2,0 - 1656301

Schematic diagram



Schematic diagram



Approvals

Approvals

Approvals


EAC / EAC

Ex Approvals

D-SUB cable - VS-25-DSUB-20-LI-2,0 - 1656301

Approvals

Approval details

EAC		B.01742
-----	---	---------

EAC		B.00767
-----	---	---------

Phoenix Contact 2019 © - all rights reserved
<http://www.phoenixcontact.com>

PHOENIX CONTACT GmbH & Co. KG
Flachsmarktstr. 8
32825 Blomberg
Germany
Tel. +49 5235 300
Fax +49 5235 3 41200
<http://www.phoenixcontact.com>