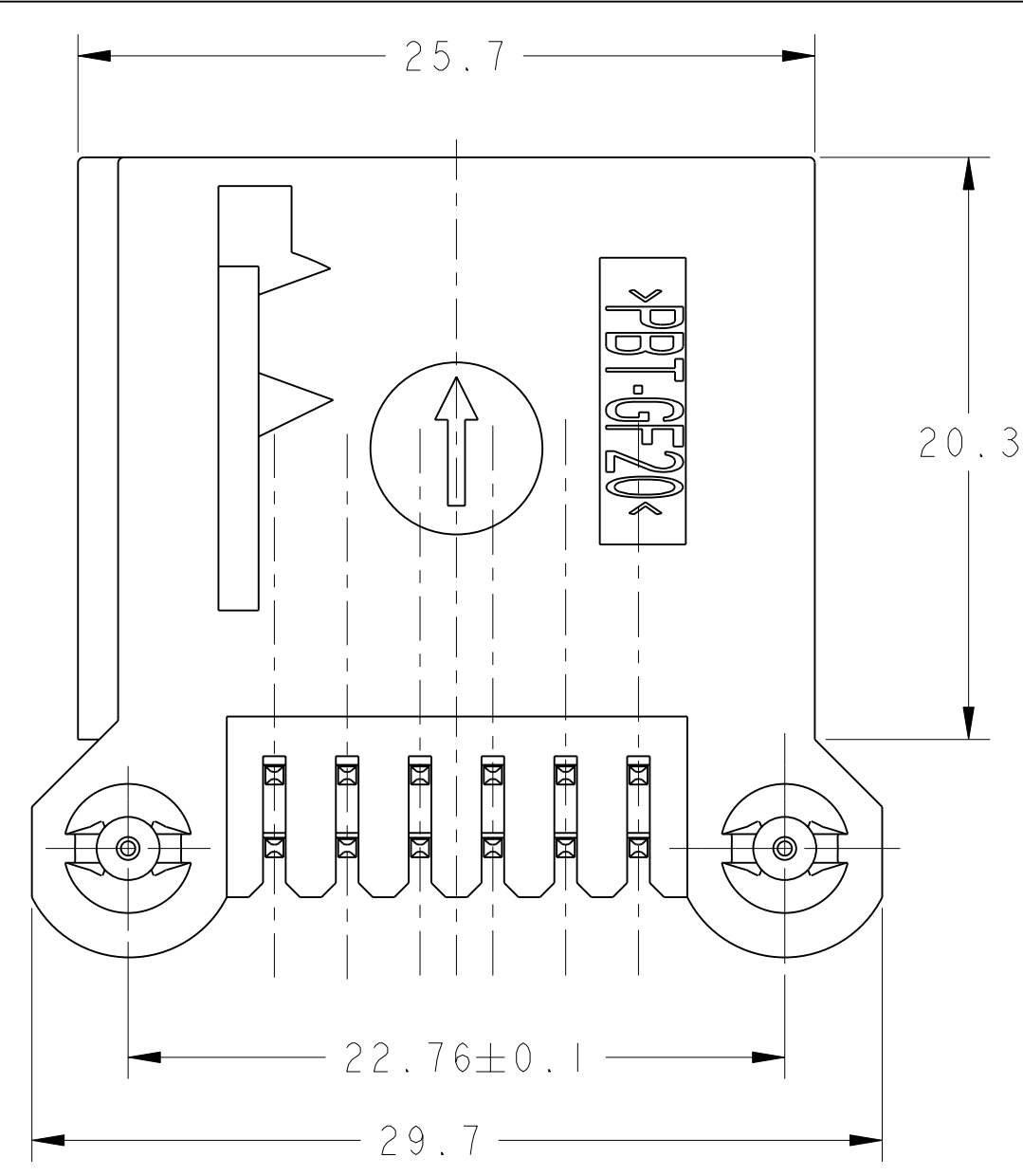
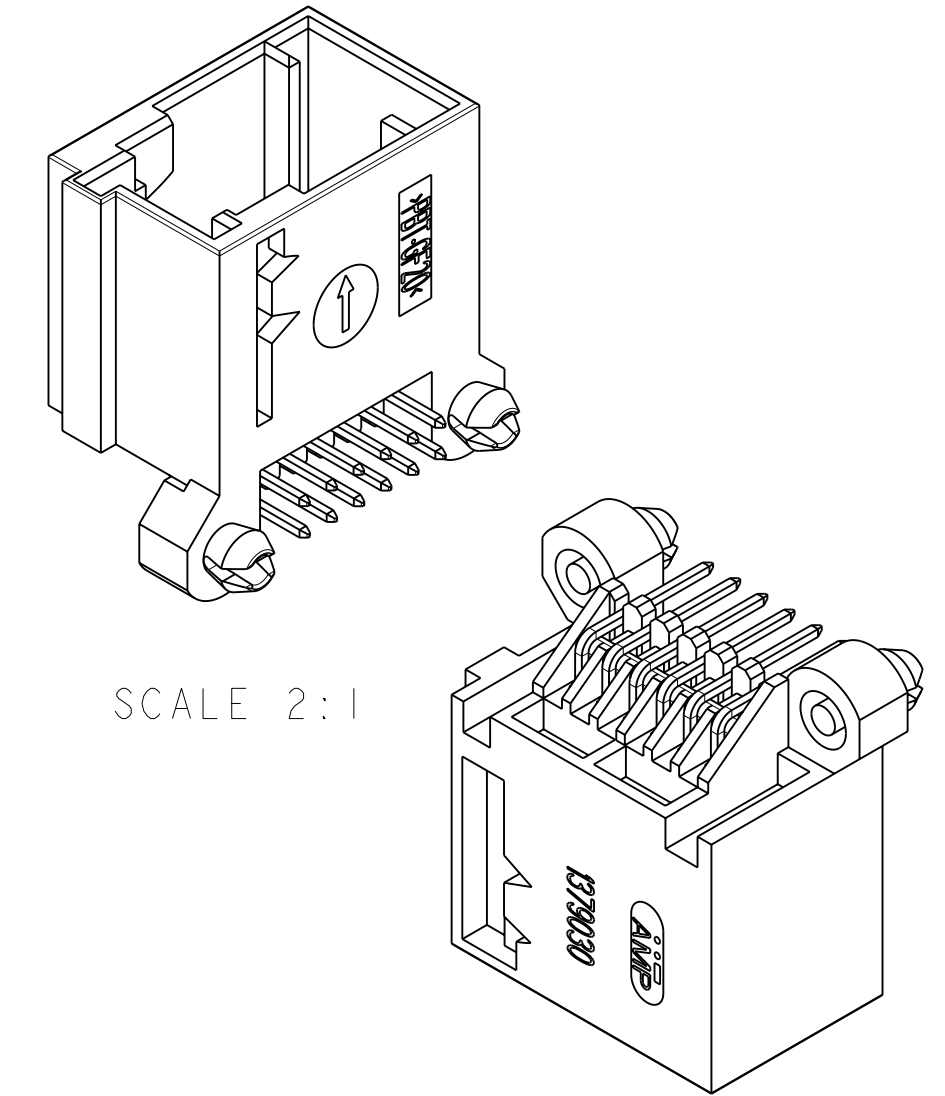
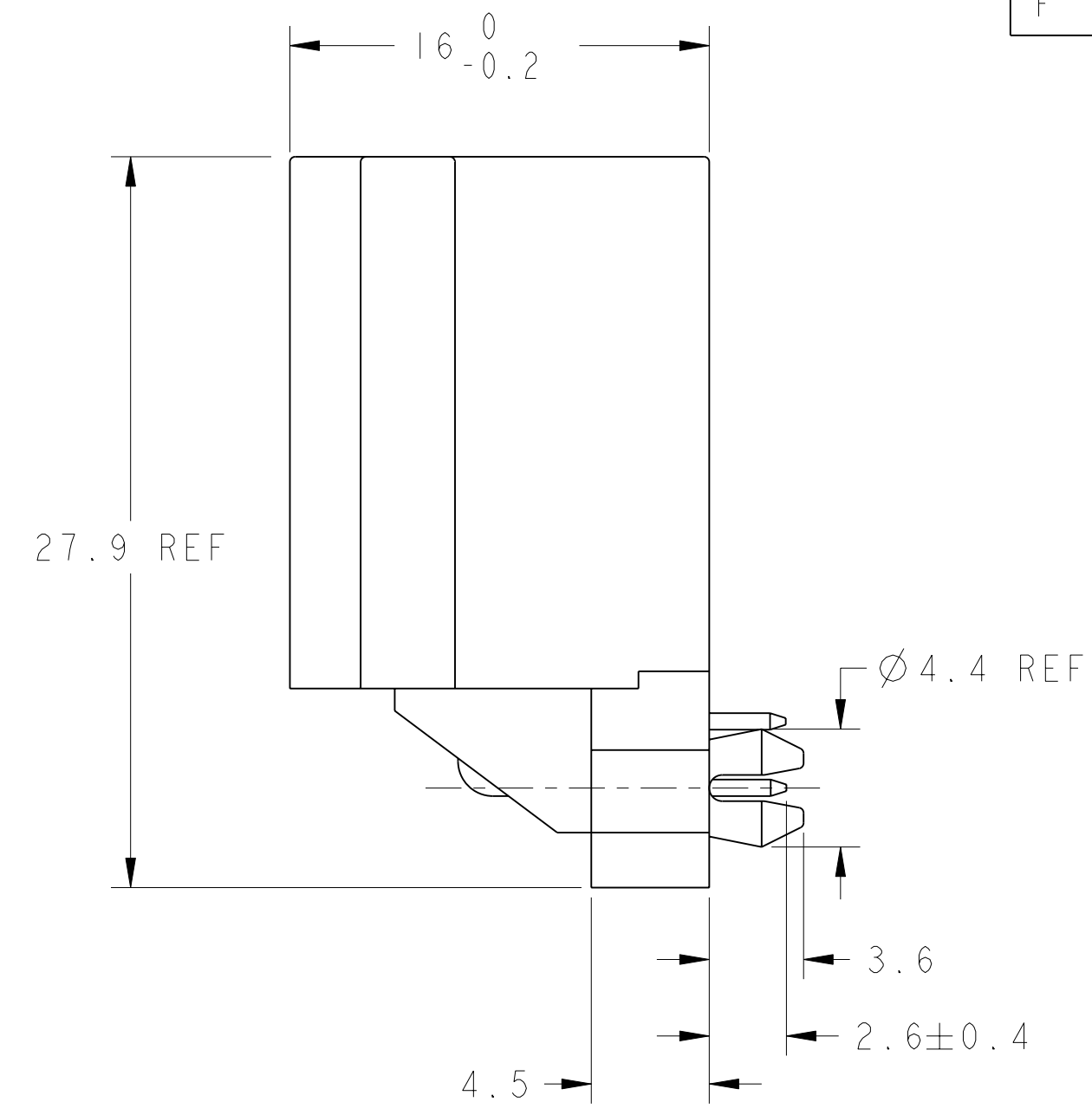


THIS DRAWING IS UNPUBLISHED. RELEASED FOR PUBLICATION
 © COPYRIGHT 20 BY TYCO ELECTRONICS CORPORATION. ALL INTERNATIONAL RIGHTS RESERVED.

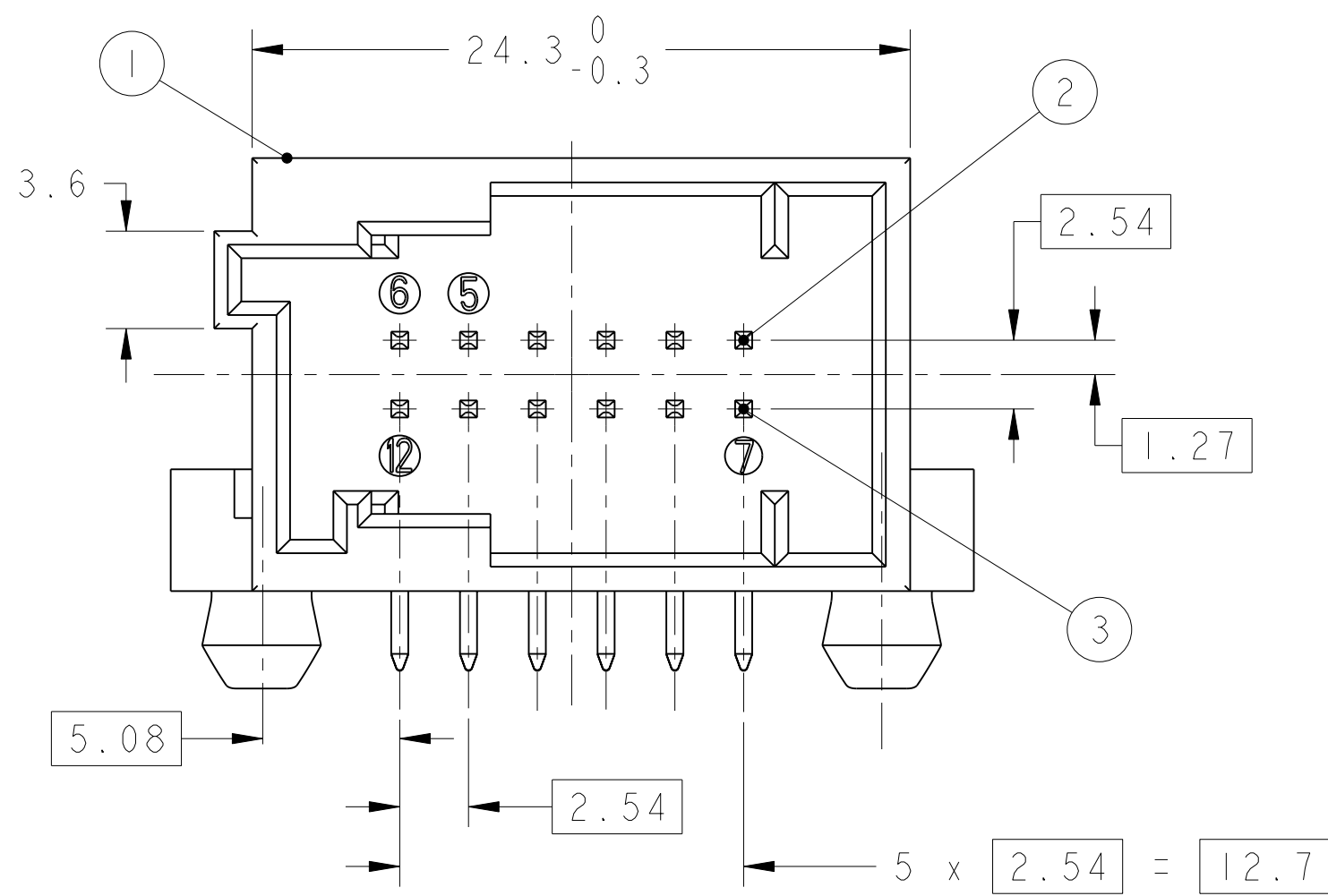
LOC	DIST	REVISIONS					
F	7	P	LTR	DESCRIPTION	DATE	DWN	APVD
		C		SAME AXIS FOR PINS AND BOARDLOCKS	22FEB2010	AD	JL



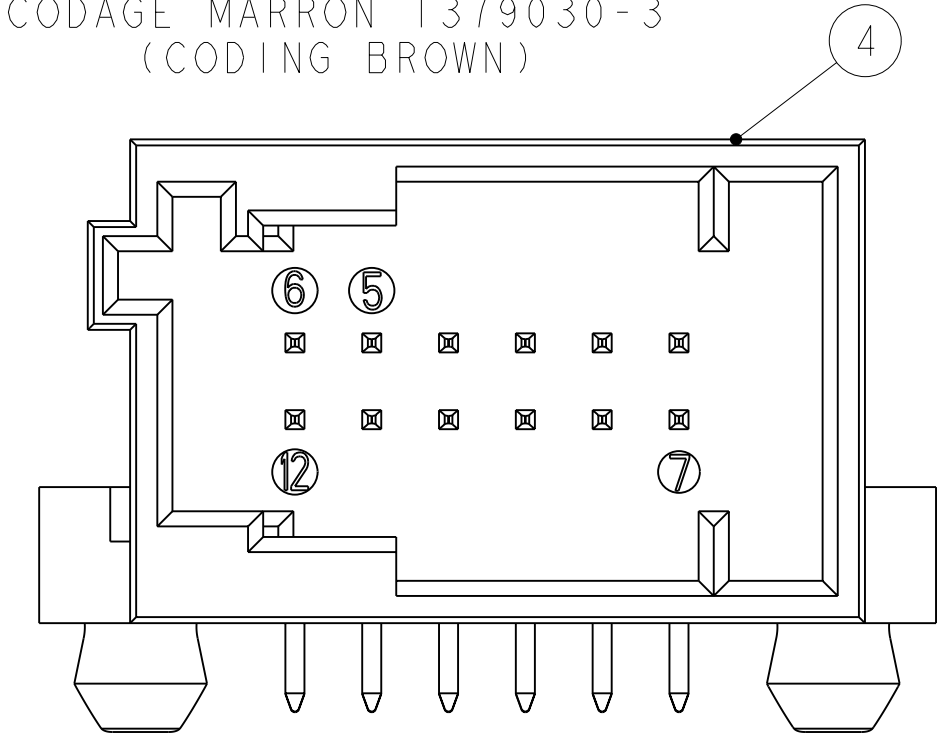
CODAGE BLEU 1379030-1
(CODING BLUE)



SCALE 2:1



CODAGE MARRON 1379030-3
(CODING BROWN)



NOTE:

1. ACCORDING TO TE SPECS 208-15544 AND 208-15574.
(en accord avec les specs TE 208-15544 et 208-15574).

MARKING:

2. EXCHANGEABLE MANUFACTURING DATE.
(date de fabrication exchangeable).
3. STAMP.
(logo).
4. ASS'Y PART NUMBER.
(reference du produit assemble).
5. MOLD CAVITY IDENTIFICATION NUMBER.
(numero d'empreinte moule boitier).
6. CAVITY MARKING.
(repere alveole).
7. MATERIAL IDENTIFICATION.
(identification de la matiere).
8. ASS'Y DATE CODE.
(date d'assemblage).

1379030-1	1379030-3
-----------	-----------

FINISH	MATERIAL	DESCRIPTION	REP	QTY	(qte)
POST-TIN (post-etame)	CuSn6	SHORT PIN MQS (broche MQS courte)	③	6	6
POST-TIN (post-etame)	CuSn6	LONG PIN MQS (broche MQS longue)	②	6	6
MARRON (brown)	PBT 20%GF	HEADER (embase)	④	-	1
BLUE (bleu)	PBT 20%GF	HEADER (embase)	①	1	-

THIS DRAWING IS A CONTROLLED DOCUMENT FOR TYCO ELECTRONICS CORPORATION. IT IS SUBJECT TO CHANGE AND THE CONTROLLING ENGINEERING ORGANIZATION SHOULD BE CONTACTED FOR THE LATEST REVISION.		DWN A. DUPUIS 21-JAN-00	Tyco Electronics France SAS 95300 Pontoise, France
DIMENSIONS: mm		CHK J. LAQUERBE 21-JAN-00	
TOLERANCES UNLESS OTHERWISE SPECIFIED: ±0.30 ±0.30 ±0.30 ±0.30 ±0.30		APVD J.J. REVIL 21-JAN-00	
MATERIAL: SEE TABLE		FINISH: SEE TABLE	
NAME: 12 WAYS MQS RIGHT ANGLE HEADER (EMBASE COUDEE MQS 12 BROCHES)		SIZE: A2	CAGE CODE: 00779
DRAWING NO: 1379030		RESTRICTED TO: -	
CUSTOMER DRAWING		SCALE: 4:1	SHEET: 1 OF 1